

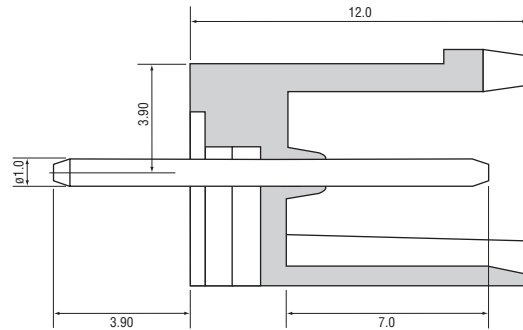
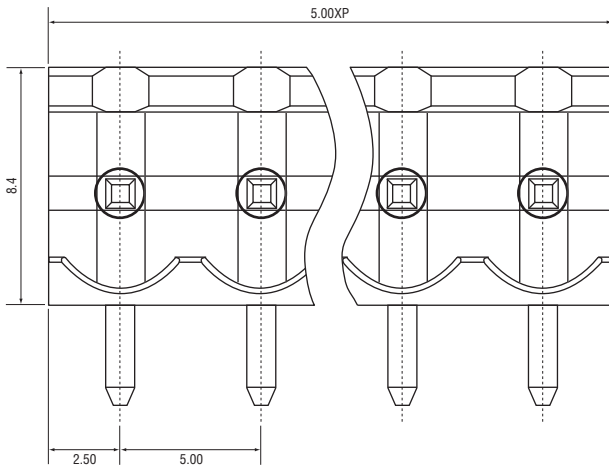
## 250V 12A

Poles: 2P-24P  
Pitch: 5mm & 10mm  
Pin Dimension: 1.0 x 1.0mm

### Materials:

Housing: Polyamide 6.6, Green  
Solder pin: Brass, 1.0t, tin plated

Measurements in millimeters



Order code	Poles
21-2816	2
21-2817	3
21-2818	4
21-2819	5
21-2820	6
21-2821	8
21-2822	10
21-2823	12