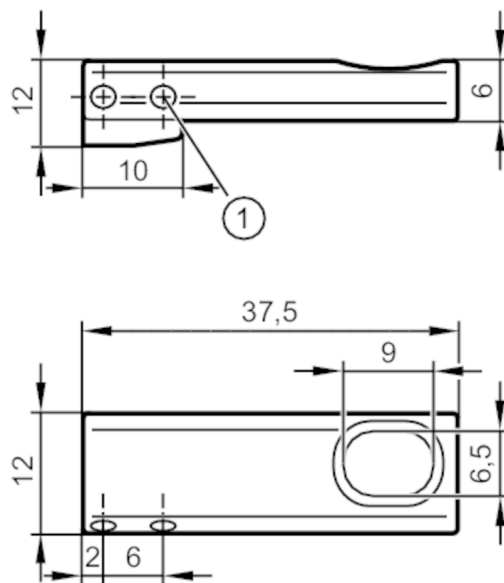


# E12259



## Protective cover for T-slot cylinder sensors

ADAPT Protection T-SLOT Sensor



1 socket head screw M3 x 12

Application	
Design	for types MKT (T-slot cylinder sensors)
Mechanical data	
Weight [g]	12.2
Type of mounting	fixing : socket head screw M3
Materials	diecast zinc coated; screws: stainless steel
Accessories	
Accessories (supplied)	socket head screws: 2 SW 1,5
Remarks	
Pack quantity	1 pcs.