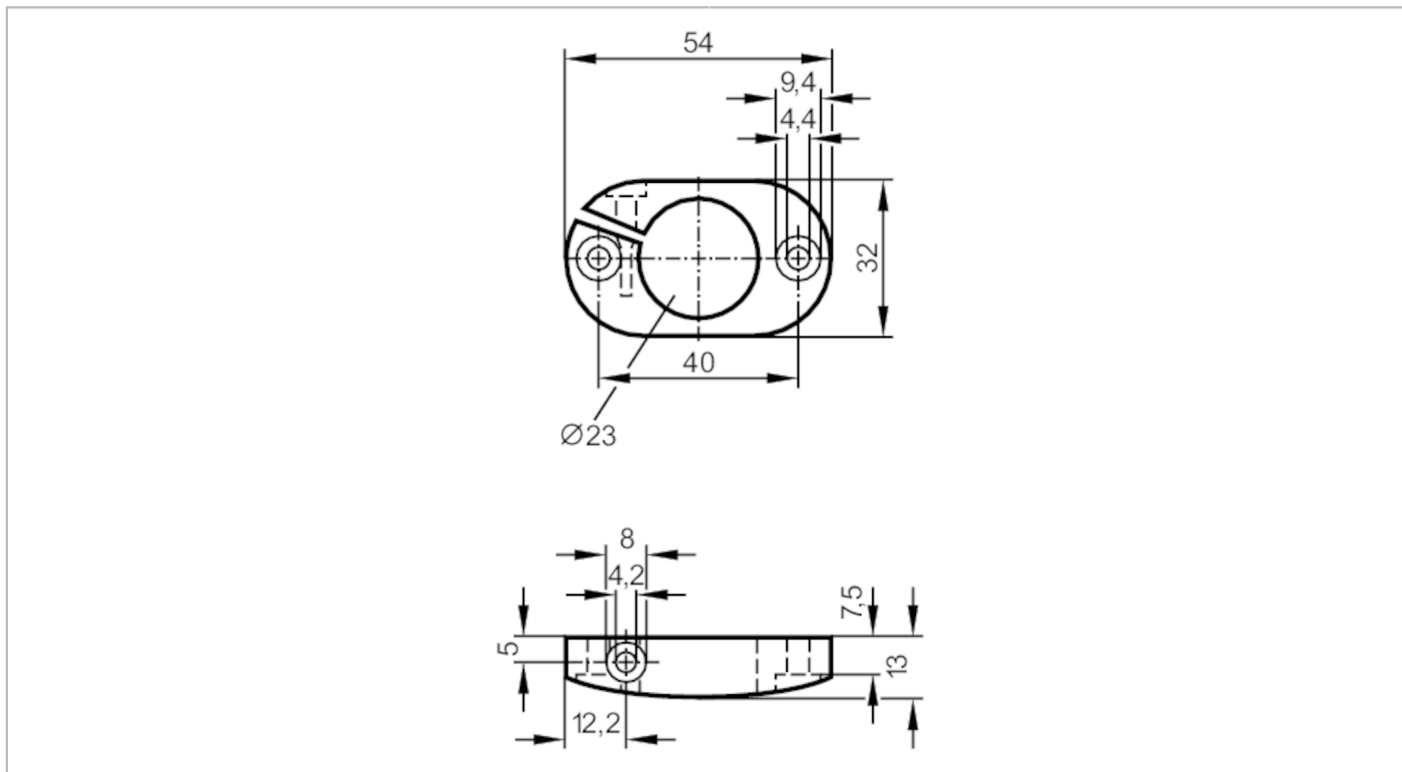


# E40048



## Mounting clamp for airflow monitors

MOUNTING CLAMP SLG



Application	
Design	for SLG airflow monitor
Mechanical data	
Weight	[g] 16
Inside diameter	[mm] 23
Materials	PBT
Remarks	
Pack quantity	1 pcs.