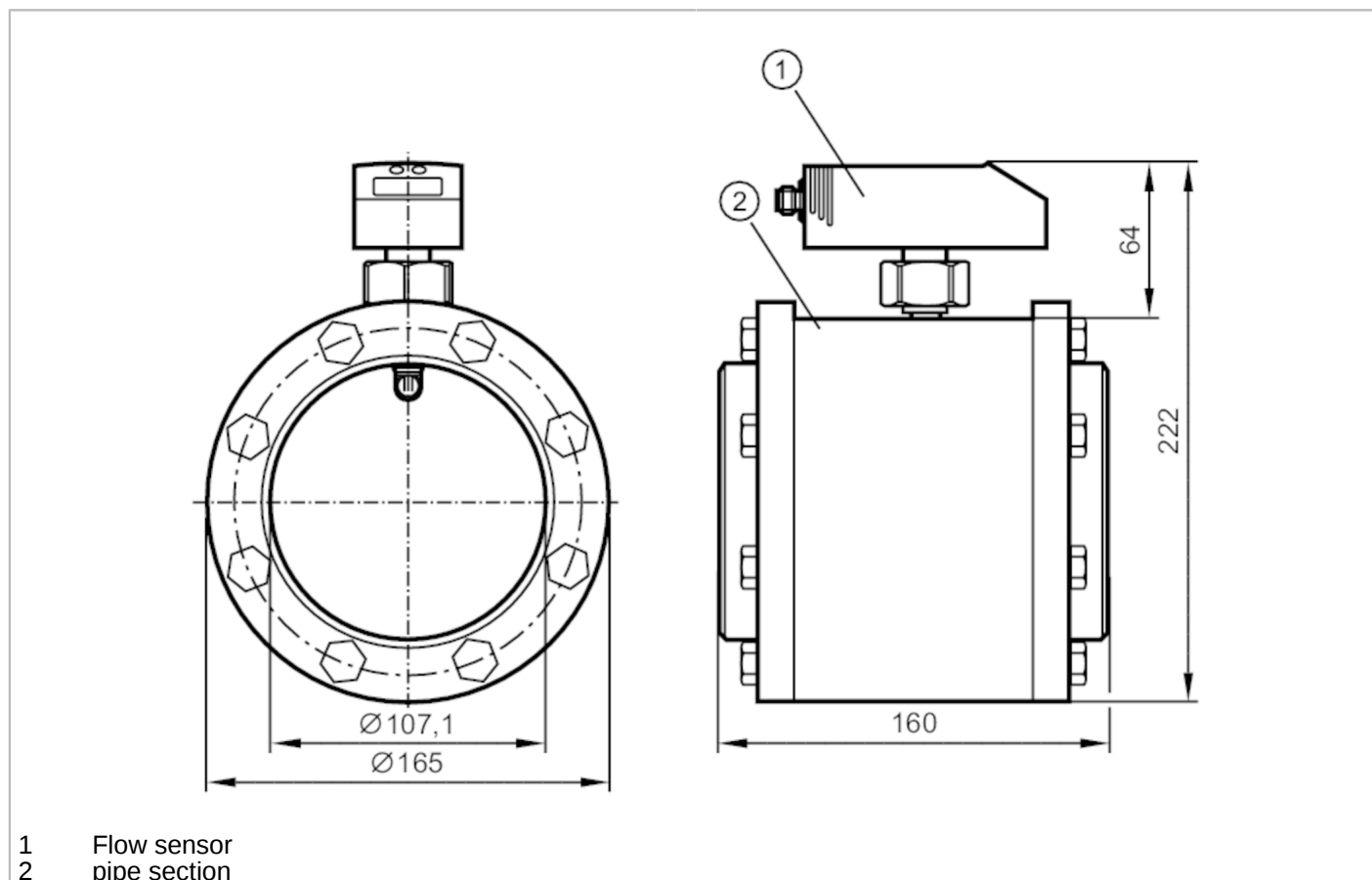


# SDG100



## Compressed air meter

SDG4"/METRIS PB DN100



CE

Product characteristics	
Number of inputs and outputs	Number of digital outputs: 2; Number of analogue outputs: 1
Measuring range [m <sup>3</sup> /h]	15...4400
Process connection	flange DN100 according to: DIN 2448
Application	
Application	totaliser function
Media	compressed air
Note on media	air quality ISO 8573-1
	class 141
	class 344
Medium temperature [°C]	0...60
Pressure rating [bar]	16
Electrical data	
Operating voltage [V]	19...30 DC
Current consumption [mA]	< 100
Protection class	III
Reverse polarity protection	yes
Power-on delay time [s]	0.5
Inputs / outputs	
Number of inputs and outputs	Number of digital outputs: 2; Number of analogue outputs: 1

# SDG100



## Compressed air meter

SDG4"/METRIS PB DN100

Outputs		
Total number of outputs		2
Output signal		switching signal; analogue signal; pulse signal; (configurable)
Electrical design		PNP
Number of digital outputs		2
Output function		normally open / normally closed; (parameterisable)
Max. voltage drop switching output DC	[V]	2
Permanent current rating of switching output DC	[mA]	250; (per output)
Number of analogue outputs		1
Analogue current output	[mA]	4...20; (scalable)
Max. load	[Ω]	500
Pulse output		consumed quantity meter
Short-circuit protection		yes
Type of short-circuit protection		pulsed
Overload protection		yes
Measuring/setting range		
Measuring range	[m³/h]	15...4400
Display range	[m³/h]	0...5320
Volumetric flow quantity monitoring		
Pulse value		10 Nm³
Pulse length	[s]	0,1
Accuracy / deviations		
Flow monitoring		
Accuracy (in the measuring range)		$\pm (3 \% MW + 0,3 \% MEW) / \pm (6 \% MW + 0,6 \% MEW)$ ; (class 141 / ; class 344)
Response times		
Flow monitoring		
Response time	[s]	0.1; (dAP = 0)
Operating conditions		
Ambient temperature	[°C]	0...60
Storage temperature	[°C]	-20...85
Max. relative air humidity	[%]	90
Protection		IP 65
Tests / approvals		
EMC	EN 61000-4-2 ESD	4 kV CD / 8 kV AD
	EN 61000-4-3 HF radiated	10 V/m
	EN 61000-4-4 Burst	2 kV
	EN 61000-4-6 HF conducted	10 V
Vibration resistance	DIN IEC 68-2-6	5 g (55...2000 Hz)
MTTF	[years]	214

# SDG100



## Compressed air meter

SDG4"/METRIS PB DN100

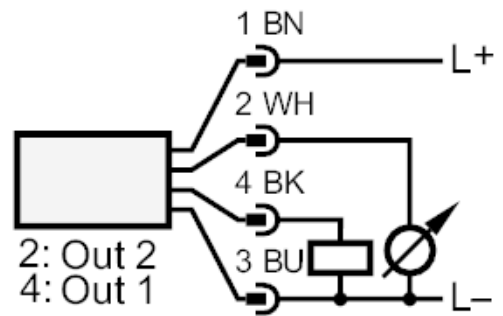
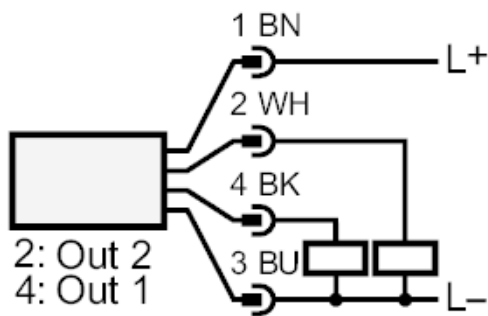
Mechanical data	
Weight [g]	13873
Materials	PBT-GF20; PC; PC; stainless steel (1.4301 / 304); FKM; pipe section: steel galvanised
Materials (wetted parts)	stainless steel (1.4401 / 316); stainless steel (1.4301 / 304); ceramics glass passivated; PEEK; polyester; FKM; aluminium anodised; steel galvanised
Process connection	flange DN100 according to: DIN 2448
Remarks	
Remarks	MW = measured value
	MEW = Final value of the measuring range
	Measuring, display and setting ranges refer to the standard volume flow according to DIN ISO 2533.
Pack quantity	1 pcs.

### Electrical connection

Connector: 1 x M12



### Connection



- OUT1: switching output  
Pulse output quantity meter
- OUT2: switching output  
input counter reset  
analogue output