

M12 MALE D CODED 90° SELF-WIREABLE SCREW-TERM.

Shielded 6..8 mm

M12

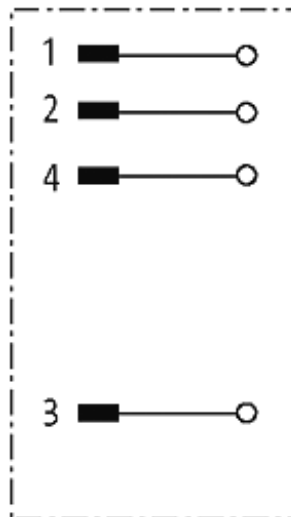
Male 90°

Field wireable (screw terminals)

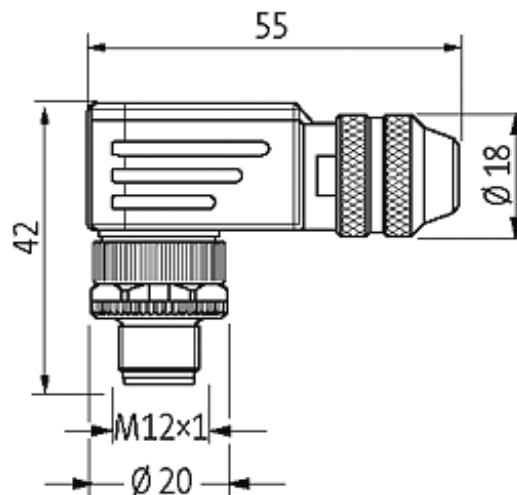
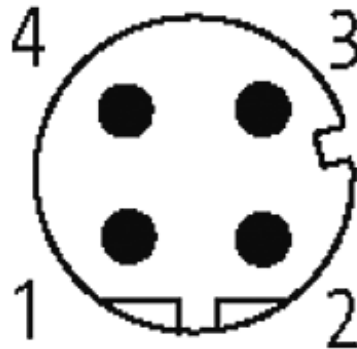
D-coded, 4-pole, shielded, CAT 5

[Link to Product](#)

Illustration



Male



Product may differ from Image

Technical Data

Operating voltage	max. 250 V AC/DC
Operating current per contact	max. 4 A
Connection cross section	max. 0.75 mm ²
Sealing range (cable diameter)	6...8 mm
Protection	IP67 inserted and tightened (EN 60529)
Housing	CuZn, nickel plated

General data

Temperature range	-40...+85 °C
-------------------	--------------

Commercial data

country of origin	DE
customs tariff number	85369010
minimum order quantity	1