



### Model Number

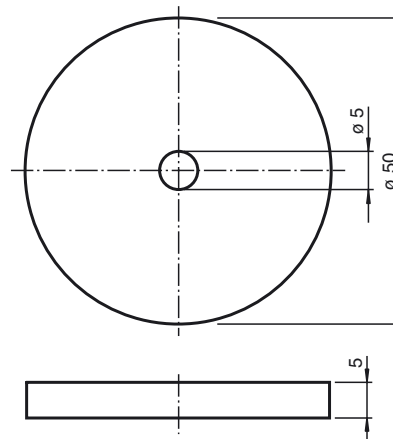
**IPC02-50P**

Code carrier

### Features

- Battery-free code carrier
- 40 bit fix code
- Readable from both sides
- Mounting holes for simple installation
- Protection degree IP68

### Dimensions



### Technical data

#### General specifications

|                     |          |
|---------------------|----------|
| Operating frequency | 125 kHz  |
| Transfer rate       | 2 kBit/s |

#### Memory

|                       |  |
|-----------------------|--|
| Chip Type             | EM4102 Unique (EM Microelectronic)             |
| Type/Size             | ROM 64 Bit (40 Bit code, 24 bit data security) |
| Read cycles           | > 100000                                       |
| Data retention period | > 10 years                                     |

#### Ambient conditions

|                     |                               |
|---------------------|-------------------------------|
| Ambient temperature | -20 ... 85 °C (-4 ... 185 °F) |
| Storage temperature | -20 ... 85 °C (-4 ... 185 °F) |

#### Mechanical specifications

|                        |                    |
|------------------------|--------------------|
| Protection degree      | IP68               |
| Material               |                    |
| Housing                | PC (Polycarbonate) |
| Encapsulation compound | Epoxy              |

#### Compliance with standards and directives

|                     |          |
|---------------------|----------|
| Standard conformity |          |
| Protection degree   | EN 60529 |

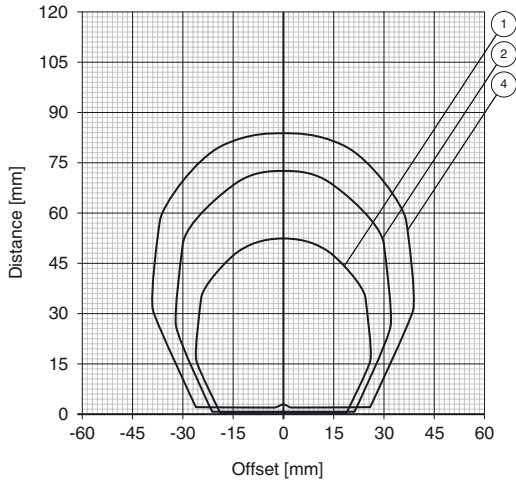
### Notes

The transponder can be read from either side.

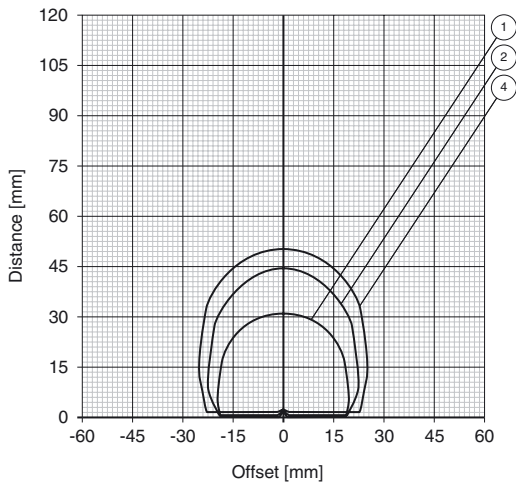
**Read/write distances**

- ① IPH-18GM-V1    ③ IPH-F61    ⑤ IPH-FP-V1    ⑦ IPT1-FP-V1
- ② IPH-30GM-V1    ④ IPH-L2-V1    ⑥ IPH-F15-V1

Reading range in air IPC02-50..



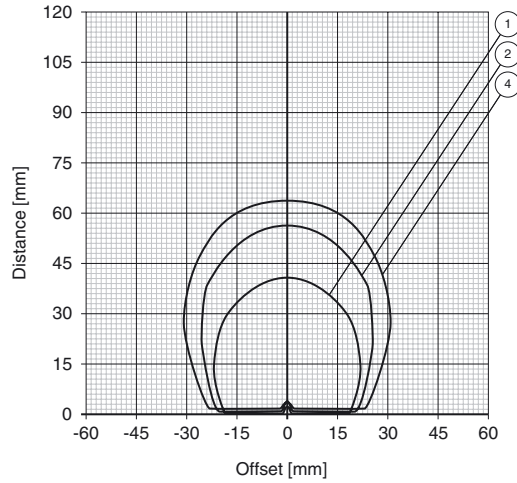
Reading range on aluminium IPC02-50..



Release date: 2011-07-19 10:01 Date of issue: 2012-02-28 183298\_eng.xml



Reading range on steel IPC02-50..



Release date: 2011-07-19 10:01 Date of issue: 2012-02-28 183298\_eng.xml

Subject to modifications without notice

Pepperl+Fuchs Group  
www.pepperl-fuchs.com

USA: +1 330 486 0001  
fa-info@us.pepperl-fuchs.com

Germany: +49 621 776-4411  
fa-info@pepperl-fuchs.com

Copyright Pepperl+Fuchs

Singapore: +65 6779 9091  
fa-info@sg.pepperl-fuchs.com