



Model Number

PMI360D-F130-IE8-V15

Features

- Measuring range 0 ... 360°
- Analog output 4 mA ... 20 mA
- Adjustable switch points

Technical data

General specifications

Installation	non-flush
Measurement range	360°
Rotational speed	≤ 100 min ⁻¹

Nominal ratings

Operating voltage U _B	18 ... 30 V
Reverse polarity protection	reverse polarity protected
Repeat accuracy	± 0.25 °
Resolution	0.4°
Temperature drift	0.02 ° / °C (-25 °C ... 70 °C)
No-load supply current I ₀	≤ 45 mA
Operating voltage display	LED green

Functional safety related parameters

MTTF _d	265 a
Mission Time (T _M)	20 a
Diagnostic Coverage (DC)	0 %

Switching output

Output type	2 switch outputs PNP, NO , reverse polarity protected , short-circuit protected
Operating current I _L	≤ 100 mA
Voltage drop	≤ 3 V
Short-circuit protection	pulsing

Analog output

Output type	1 current output: 4 ... 20 mA
Linearity error	± 0.6 ° , (with original actuator)
Load resistor	≤ 400 Ω

Ambient conditions

Ambient temperature	-25 ... 70 °C (-13 ... 158 °F)
---------------------	--------------------------------

Mechanical specifications

Connection type	M12 x 1 connector, 5-pin
Housing material	PBT
Shaft diameter	≤ 27.5 mm Steel
Protection degree	IP67
Mass	180 g

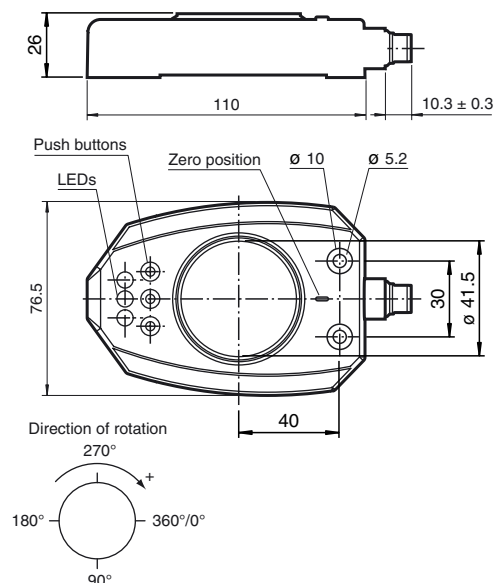
Compliance with standards and directives

Standard conformity	
Standards	EN 60947-5-2:2007 IEC 60947-5-2:2007

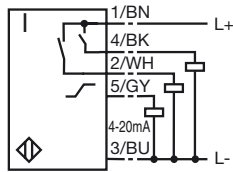
Approvals and certificates

UL approval	cULus Listed, General Purpose, Class 2 Power Source
CCC approval	Products with a maximum operating voltage of ≤36 V do not bear a CCC marking because they do not require approval.

Dimensions



Electrical Connection



Accessories

BT-F130-A

Actuator for F130 series

V15-G-2M-PVC

Cable socket, M12, 5-pin, PVC cable

V15-W-2M-PVC

Cable socket, M12, 5-pin, PVC cable

Additional Information

dimensions of the target object:

