

MATERIAL LIST:

⑧	Cable	CAT7 S/FTP 26AWG 600MHz BC Solid LSZH Cable Orange	1	
⑦	Pillar	Plastic	1	
⑥	Buckle	rubber	1	
⑤	Handle	rubber	1	
④	Support shaft	Iron	1	
③	KEYSTONE JACK	CAT6A STP keystone jack	1	
②	FACE PLATE	86*86mm one-port Title block with Transparent cover,Dust cap,RAL9010	1	
①	Plastic reel	∅310mm with face plate,Plastic	1	
NO.	PARTS NAME	SPECIFICATION STANDARD	QT' Y	REMARK

Notes:

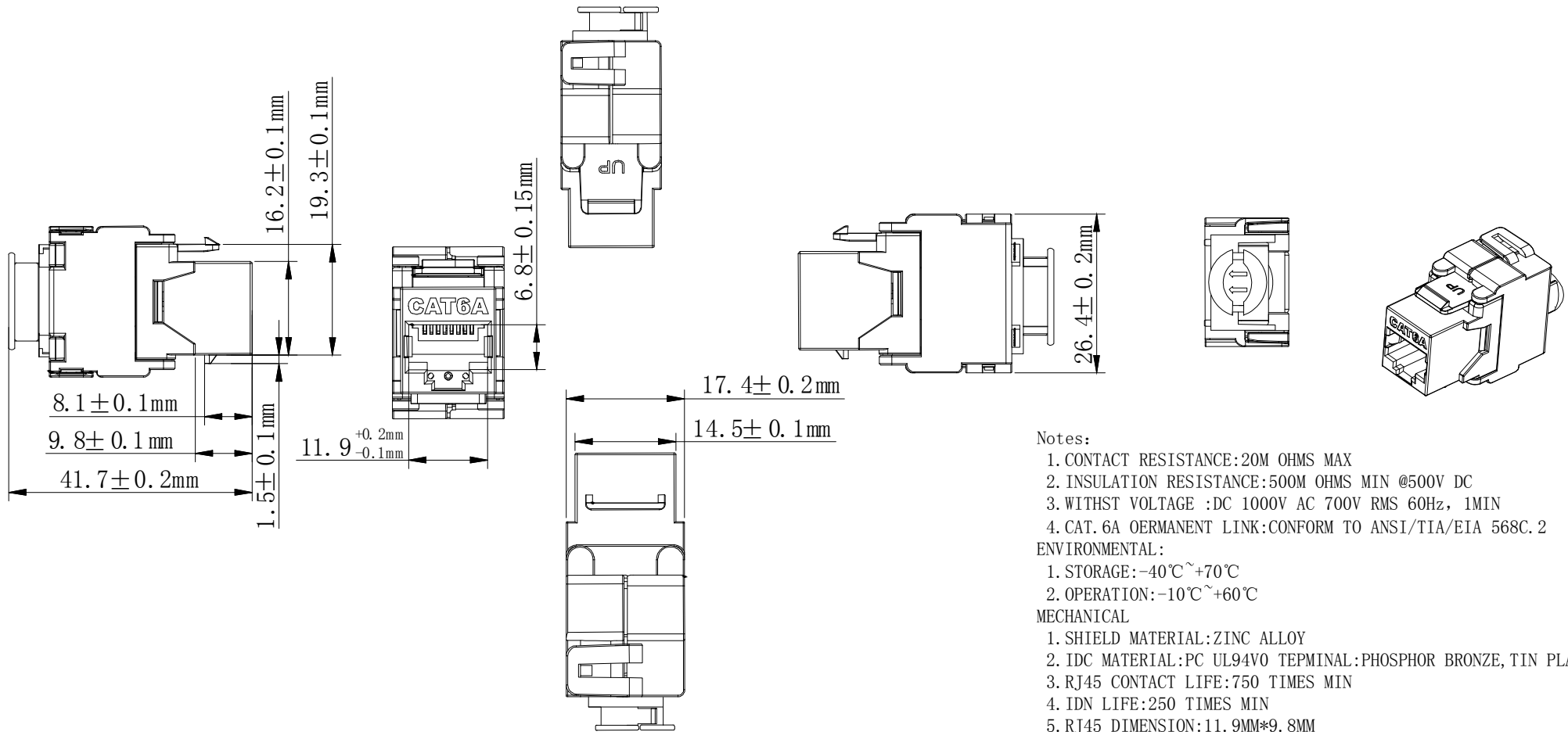
1. ISO/IEC 11801:2002 Class F 600MHz
2. ISO/IEC EN 50173 Class F 600MHz
3. EIA/TIA 568-C 600MHz
4. IEC 60603-7-7
5. RJ45 Contacts durability:750 cycles min
6. Support PoE per IEEE 802.3af.PoE+per IEEE802.3at
7. Operating Temperature:-10~+60°C
8. RoHS 2.0&REACH Compliant

ITEM NO.	21.15.0007
----------	------------

DESC.	ROLINE CAT. 7 SOHO Solid Wire w/ CAT. 6a STP Keystone + Face Plate, 60m
-------	---

		NEW	2018-11-22	A
BY	CHK	REVISION RECORD MODIFICATIONS	DATE	REV.





Notes:

1. CONTACT RESISTANCE:20M OHMS MAX
2. INSULATION RESISTANCE:500M OHMS MIN @500V DC
3. WITHST VOLTAGE :DC 1000V AC 700V RMS 60Hz, 1MIN
4. CAT. 6A PERMANENT LINK:CONFORM TO ANSI/TIA/EIA 568C.2

ENVIRONMENTAL:

1. STORAGE:-40°C~+70°C
2. OPERATION:-10°C~+60°C

MECHANICAL

1. SHIELD MATERIAL:ZINC ALLOY
2. IDC MATERIAL:PC UL94V0 TEPMINAL:PHOSPHOR BRONZE, TIN PLATING
3. RJ45 CONTACT LIFE:750 TIMES MIN
4. IDN LIFE:250 TIMES MIN
5. RJ45 DIMENSION:11.9MM*9.8MM
6. WEIGHT:34.7G

TYPE

1. SHIELEDED CAT. 6A KEYSTONE JACK
2. COLOUR:SILVERY WHITE

RoHS 2.0&REACH Compliant

MATERIAL LIST:

⑦	MODULAR COVER	FIREPROOF PC UL94V0	1	
⑥	RJ45 JACKE INSERT	8P8C 3U" GOLD PLATED	8	
⑤	PCB	1.6mm UL 94V0	1	
④	IDC BODY	FIREPROOF/PC UL 94V0	1	
③	IDC PIN	PHOSPHOR BRONZE & TINNED	8	
②	LABEL COLOR CODE	T568A/B	2	
①	IDC TERMINAL	FOR 22-26AWG CABLE	1	
NO.	PARTS NAME	SPECIFICATION STANDARD	QT' Y	REMARK

DESC.	ROLINE CAT. 7 SOHO Solid Wire w/ CAT. 6a STP Keystone + Face Plate, 60m
-------	---

		NEW	2018-11-22	A
BY	CHK	REVISION RECORD MODIFICATIONS	DATE	REV.

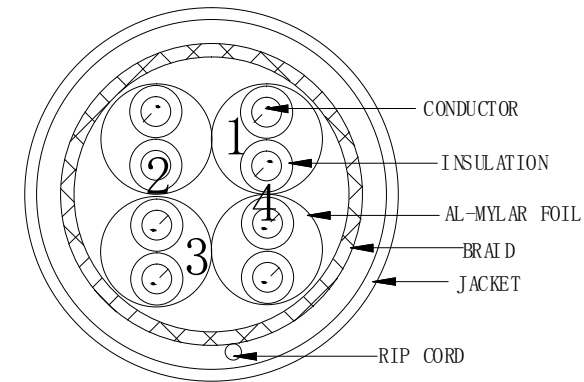
SECOMP

SPECIFICATIONS

TITLE: CAT.7 S/FTP SOLID CABLE 26AWG(BC*1P+AL-MYLAR FOIL)×4PAIR+BRAID+RIP CORD LSZH JACKET
OD: 6.0±0.2MM

FILE AMEND NOTE	DATE	EDITION
ORIGINALITY EDITION		A/0

VIEW:



*NOTE:

- 1. BLUE/WHITE 2. ORANGE/WHITE
- 3. BROWN/WHITE 4. GREEN/WHITE

MARKING: HIGH SPEED 600MHZ LAN CABLE CAT7 S-FTP 4×2×AWG26/1
LSZH 001M...002M...500M

NOTE:

- 1. Impedance: 4-100MHZ 100±15 ohms
100-200MHZ 100±22 ohms
200-600MHZ 100±32 ohms
- 2. Temperature rating:75°C
- 3. Resistance unbalance(%) max 2.5
- 4. Max. Conductor DC resistance 20°C 78 (ohms/km)
- 5. Pair-to-Ground Capacitance Unbalance 330(PF/100M)

RoHS 2.0 & REACH Compliant

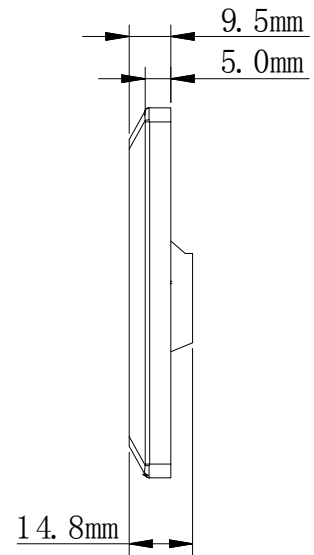
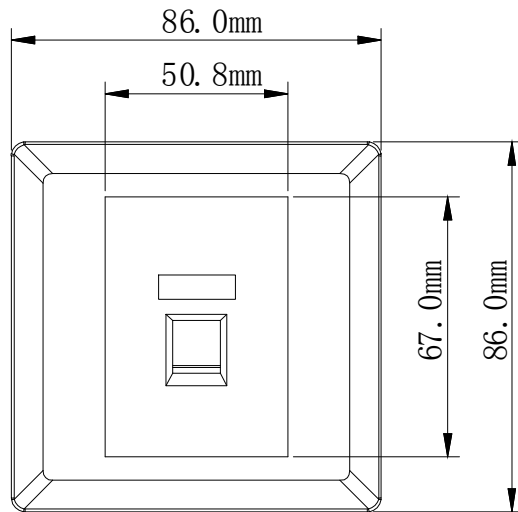
Nominal Transmission Characteristic						
Frequency (MHz)	RL (dB)	ATT (dB/100M)	Propagation Delay (ns)	Delay Skew (ns)	NEXT (dB)	PSNEXT (dB)
1	20	2.1	570	45	74.3	72.3
4	23.0	3.8	552	45	65.3	63.3
10	25.0	6.0	545	45	59.3	57.3
16	25.0	7.7	543	45	56.2	54.2
20	25.0	8.7	542	45	54.8	52.8

Nominal Transmission Characteristic						
Frequency	RL	ATT	Propagation	Delay	NEXT	PSNEXT
31.25	23.6	10.9	540	45	51.9	49.9
62.5	21.5	15.5	538	45	47.4	45.4
100	20.1	19.7	537	45	44.3	42.3
200	18.0	28.3	536	45	39.8	37.8
300	16.7	35.3	536	45	37.1	35.1
500	14.6	46.2	535	45	33.8	31.8

ITEMS		UNIT	A(4P)			
CONDUCTOR	SIZE	AWG AWG	26AWG			
	CONSTRUCTION	PCS/mm				
	MATERIAL	/	BC			
	PICKS	mm	/			
INSULATION	MATERIAL	/	PE			
	DIA.	mm	1.00±0.05mm	1.00±0.05mm	1.00±0.05mm	1.00±0.05mm
	COLOR	/	BLUE/WHITE	ORANGE/WHITE	GREEN/WHITE	BROWN/WHITE
	CONCENTRIC	%	≥90%	≥90%	≥90%	≥90%
	NOM THICKNESS	mm	0.3±0.05MM			
TWIST	CONSTRUCTION	/	1P	1P	1P	1P
	AL-FOIL	mm u	YES			
	MYLAR	mm u	YES			
	CONFORT	%	/	/	/	/
	OVERLAPPING	%	/	/	/	/
	DIA	mm	/	/	/	/
	PICK	mm	/			
TWIST	CONSTRUCTION	/	4P			
	MYLAR OVERLAPPING	mm u %	/			
	DRAIN WIRE	mm	/			
	AL-FOIL/OVERLAPPING	mm u %	/			
	FILLERS	/	RIP CORD			
	PE SKELETON	mm	/			
BRAID/SHERLD	CONSTRUCTION	/	BRAID			
JACKET	MATERIAL/COLOR	/	LSZH/Orange RAL2003			
	OUTER DIA.	mm	6.0±0.2mm			
	CONCENTRIC	%	≥80%			
	NOM THICKNESS	mm	0.50±0.2mm			

DESC.	ROLINE CAT. 7 SOHO Solid Wire w/ CAT. 6a STP Keystone + Face Plate, 60m
-------	---





Materials:

Outlet Housing: Fireproof ABS UL-94V0/Colour: RAL 9010

Outlet Base: Fireproof ABS UL-94V0/Colour: RAL 9010

ACCESSORY :

1. Screw M3*25mm*2pcs

RoHS 2.0 & REACH Compliant

DESC.	ROLINE CAT. 7 SOHO Solid Wire w/ CAT. 6a STP Keystone + Face Plate, 60m
-------	---

		NEW	2018-11-22	A
BY	CHK	REVISION RECORD MODIFICATIONS	DATE	REV.

SECOMP