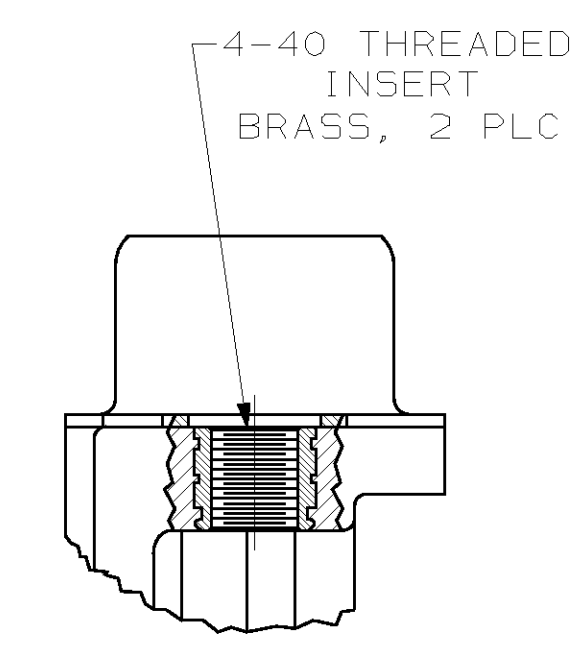
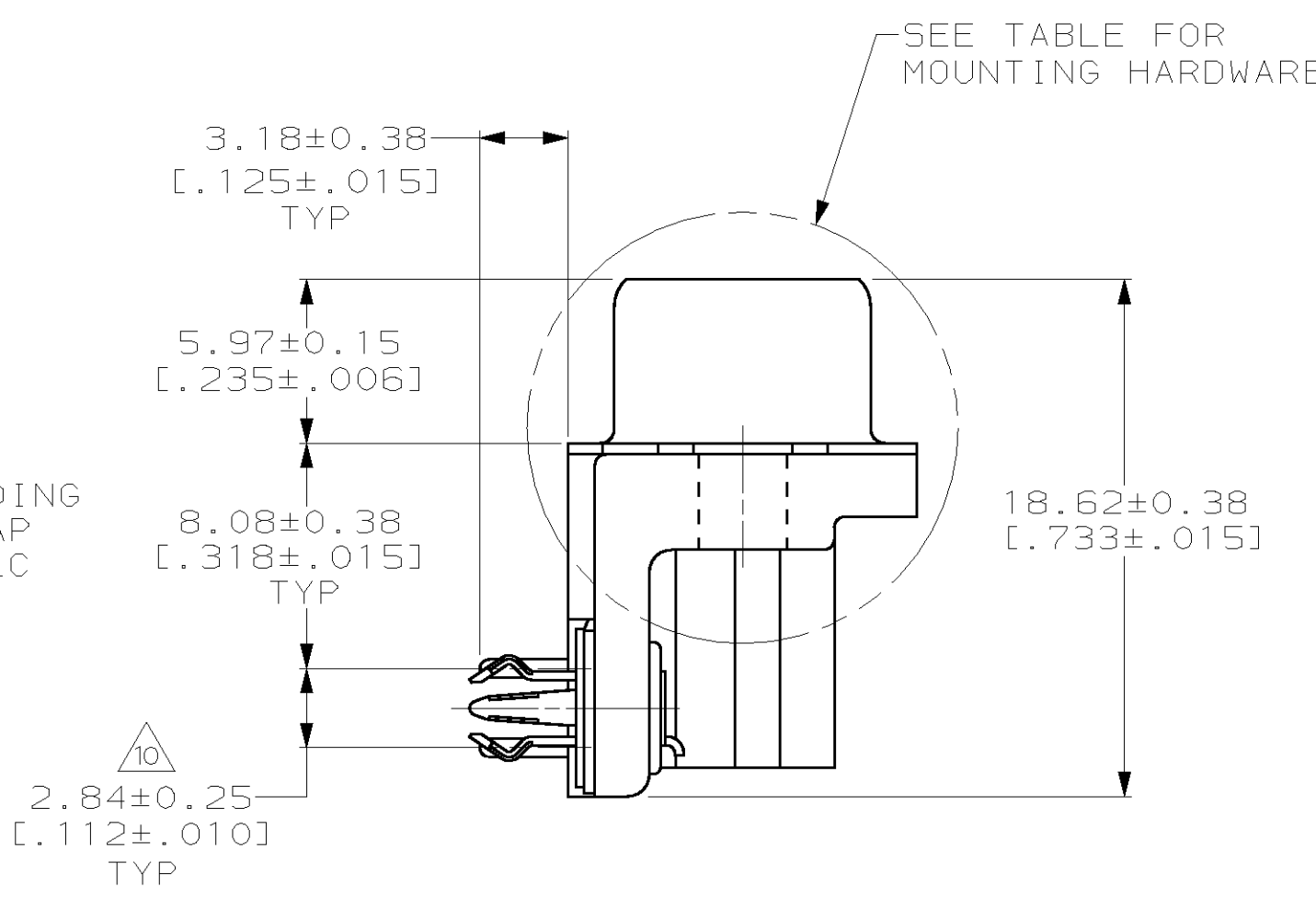
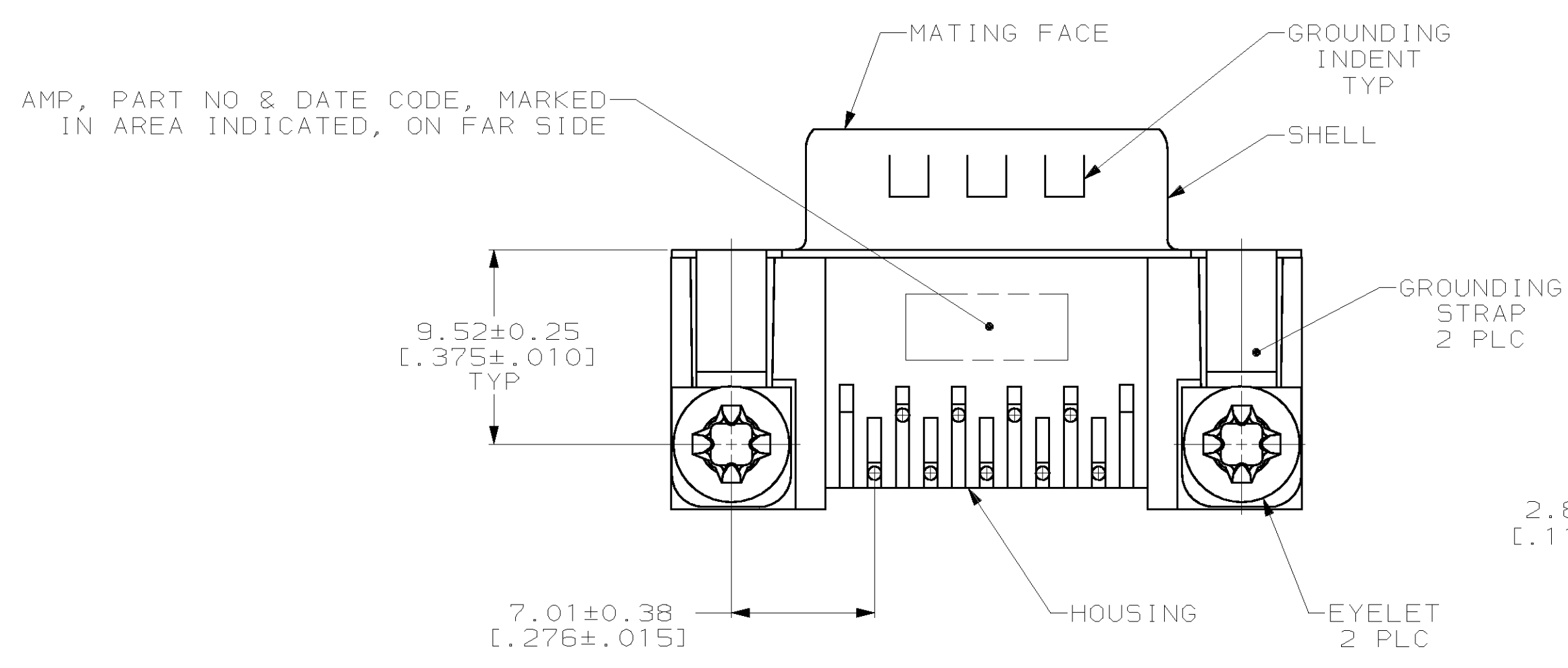
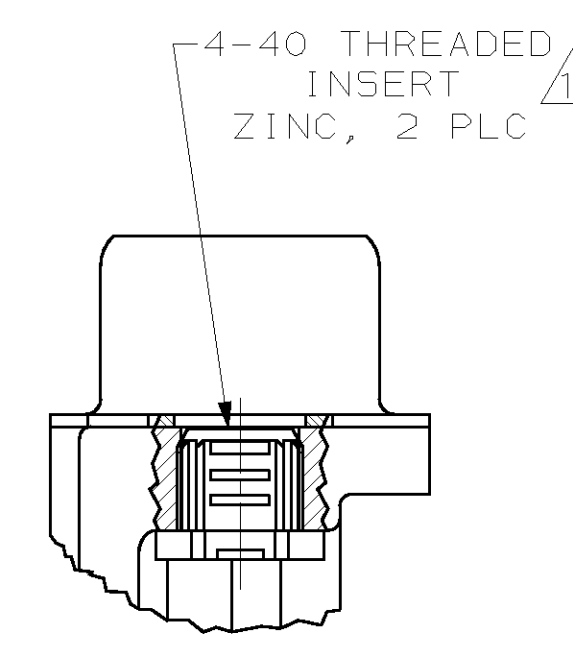


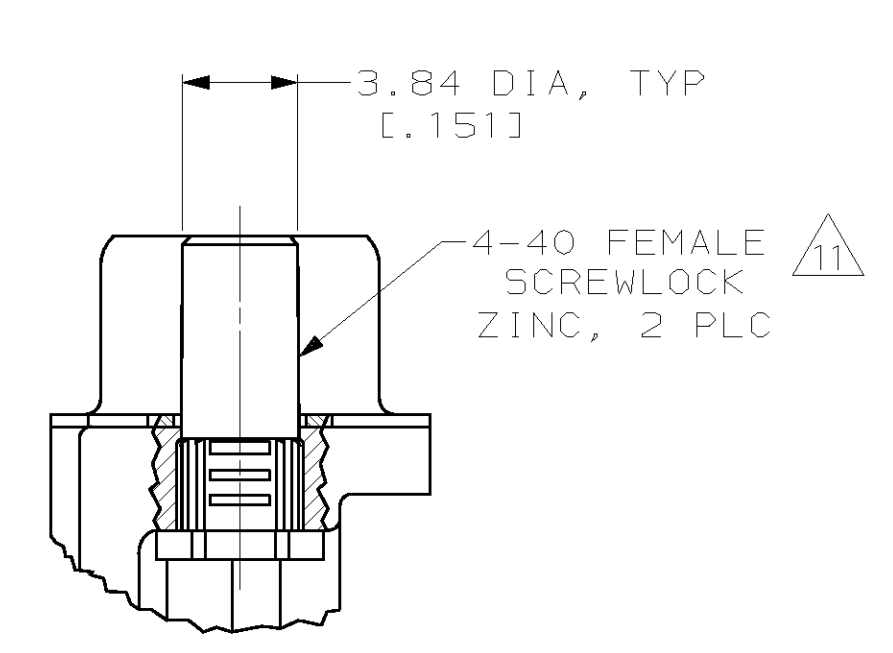
FOR -5 AND -6 ONLY  
DETAIL F  
2 PLC



DETAIL C

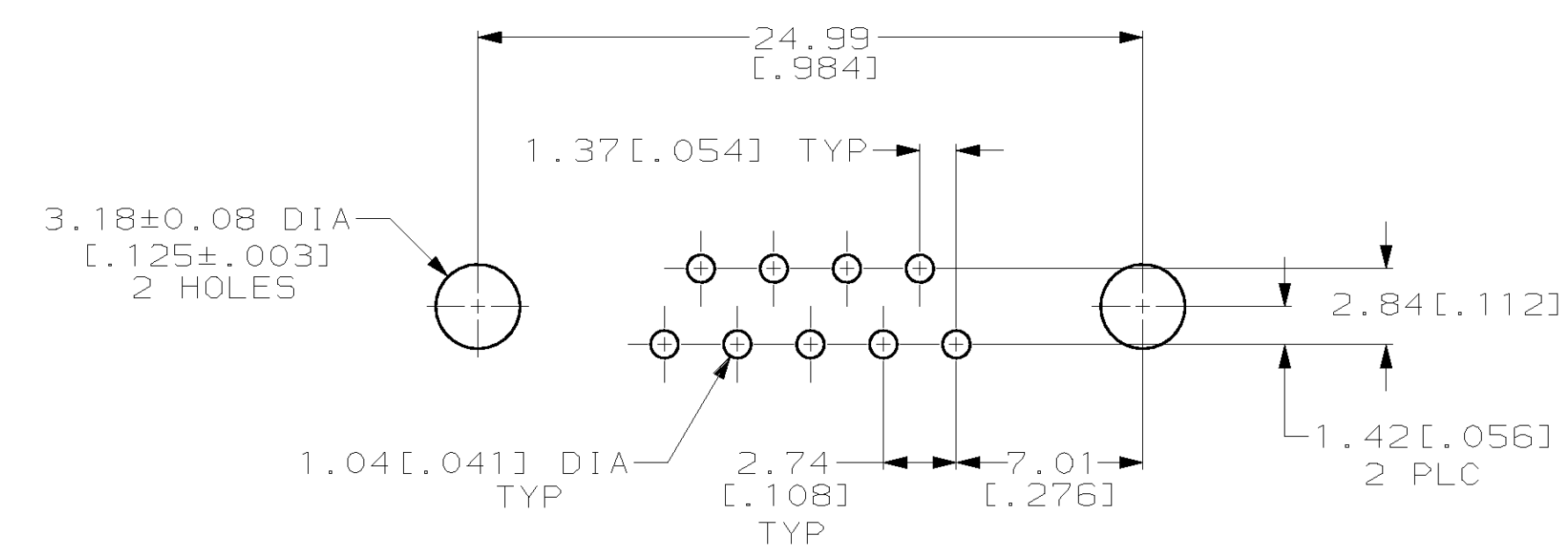


DETAIL D



DETAIL E

- 1 NYLON OR POLYESTER, FLAME RETARDANT, UL 94V-0 RATED, GLASS FILLED, BLACK.
- 2 BRASS PER MIL-C-50.
- 3 CARBON STEEL PER ASTM A109.
- 4 EYELETS: BRASS; BOARDLOCKS: COPPER ALLOY.
- 5 GOLD PLATING PER MIL-G-45204; NICKEL PLATING PER QQ-N-290; TIN PLATING PER MIL-T-10727; COPPER PLATING PER MIL-C-14550.
- 6 2.54µm[.000100] MIN TIN OVER 1.27µm[.000050] MIN COPPER.
- 7 5.08µm[.000200] MIN TIN OVER COPPER FLASH.
- 8 GOLD PLATED FOR A LENGTH OF 3.81 [0.150] MIN FROM MATING END, GOLD FLASH IN MATED AREA, 2.54µm[.000100] MIN TIN OR TIN-LEAD FOR A LENGTH OF 3.56[.140] MIN FROM OPPOSITE END, BOTH OVER 1.27µm[.000050] MIN NICKEL.
- 9 GOLD PLATED FOR A LENGTH OF 3.81 [0.150] MIN FROM MATING END, 0.76µm [0.00030] MIN GOLD IN MATED AREA, 2.54µm[.000100] MIN TIN OR TIN-LEAD FOR A LENGTH OF 3.56[.140] MIN FROM OPPOSITE END, BOTH OVER 1.27µm[.000050] MIN NICKEL.
- 10 DIMENSION APPLIES FROM CENTER OF CONTACTS.
- 11 CLEAR CHROMATE.
- 12 5.08µm[.000200] MIN TIN-LEAD OVER 1.27µm[.000050] MIN NICKEL.
- 13 5.08µm[.000200] MIN TIN OVER 1.27µm[.000050] MIN NICKEL.



P.C. BOARD MOUNTING DIMENSIONS  
P.C. BOARD THICKNESS: 1.57[.062]

PACKAGING	MOUNTING HARDWARE	BOARDLOCK FINISH	CONTACT FINISH	PART NUMBER
		13	9	7-747840-1
		13	8	7-747840-0
		13	9	6-747840-9
		13	8	6-747840-8
		13	9	6-747840-7
		12	9	1-747840-2
SUPSD BY 747840-6		12	9	1-747840-0
SUPSD BY 747840-3		12	8	747840-9
SUPSD BY 747840-4		12	9	747840-8
		12	8	747840-7
		12	9	747840-6
		12	8	747840-5
		12	9	747840-4
		12	8	747840-3
		12	9	747840-2
SUPSD BY 747840-2		12	8	747840-1

THIS DRAWING IS A CONTROLLED DOCUMENT. DWN: H.G. LENKER 05 OCT 89. CHK: R. STONE 05 FEB 90. REVISED: M.D. GALLOWAY 06 FEB 90.

**AMP** AMP Incorporated, Harrisburg, PA 17105-3608

NAME: PLUG ASSEMBLY, SIZE 1, 9 POSITION, RIGHT ANGLE, FRONT METAL SHELL, .318 SERIES, BOARDLOCKS, AMPLIMITE® HD-20

PRODUCT SPEC: 108-40025

APPLICATION SPEC: 114-40010

SIZE: 114-40010

SCALE: 4:1

WEIGHT: -

CUSTOMER DRAWING

RESTRICTED TO: A1 00779 C-747840

SCALE: 4:1 SHEET 1 OF 1 REV U