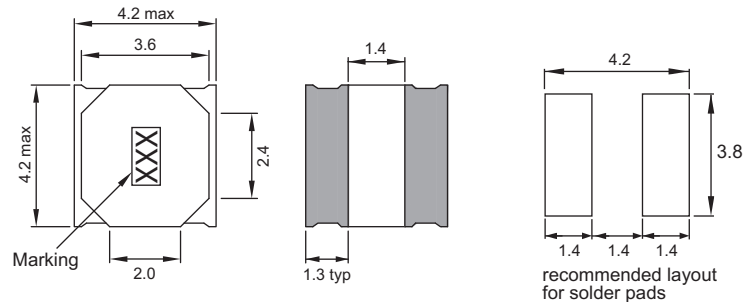
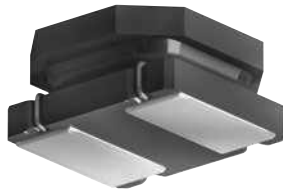


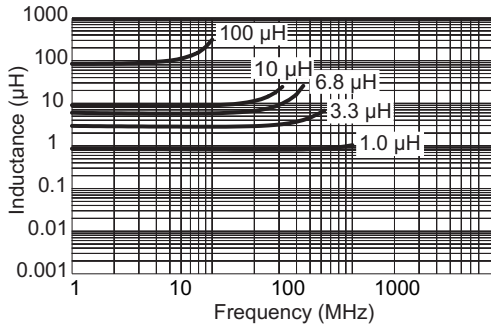
1616 FPS

Shielded

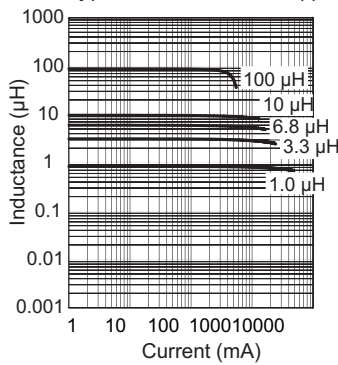


L (μH)	H max
0.82 - 2.7	1.88
3.30 - 220	1.80

Typical Ls vs Frequency (f)



Typical Ls vs Current (I)



Part No	Inductance	f _L	ToI	DCR	Rated DC Current	
	L (μH)	(kHz)	± (%)	max (mΩ)	I _{sat} (A)	I _{rms} (A)
1616FPS-R82N-01	0.82	100/1.0V	30	20.8	4.2	4
1616FPS-1R0N-01	1.0	100/1.0V	30	24.7	4.7	3.7
1616FPS-1R2N-01	1.2	100/1.0V	30	27.3	4	3.5
1616FPS-1R5N-01	1.5	100/1.0V	30	35.1	3.5	3.1
1616FPS-2R2M-01	2.2	100/1.0V	20	44.4	3	2.9
1616FPS-2R7M-01	2.7	100/1.0V	20	52	2.4	2.3
1616FPS-3R3M-01	3.3	100/1.0V	20	66	2.3	2.2
1616FPS-4R7M-01	4.7	100/1.0V	20	84	2	1.9
1616FPS-6R8M-01	6.8	100/1.0V	20	118	1.6	1.5
1616FPS-100M-01	10	100/1.0V	20	180	1.4	1.3
1616FPS-150M-01	15	100/1.0V	20	264	1.1	1
1616FPS-220M-01	22	100/1.0V	20	348	0.95	0.9
1616FPS-330M-01	33	100/1.0V	20	552	0.75	0.7
1616FPS-470M-01	47	100/1.0V	20	780	0.62	0.6
1616FPS-680M-01	68	100/1.0V	20	1128	0.5	0.5
1616FPS-101M-01	100	100/1.0V	20	1596	0.45	0.42
1616FPS-151M-01	150	100/1.0V	20	2400	0.35	0.32
1616FPS-221M-01	220	100/1.0V	20	3552	0.3	0.28

Core Material : Ferrite

Revision date : 11 Aug 2014

SPQ : Taped / Reel 3000 [-01]