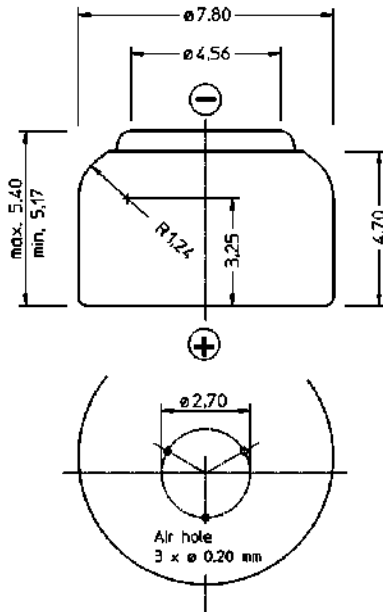




## Data sheet p13 mercury free



### Specifications:

Chemical system:	Zinc / Air
Nominal voltage:	1,45 V
Standard Capacity:	300 mAh**
High Rate Pulse Capacity:	280 mAh*
High Rate Pulse Energy:	345 mWh*
Impedance:	max. 6 $\Omega$ @ 1kHz
Weight:	approx 0,83 g
Volume:	approx 0,26 ccm
Storage:	10-30°C / 20-80 % r.h.
Operating:	0-45°C / 25-70 % r.h.
Short Exposition:	-10-65°C / 5-95 % r.h.

\*IEC High Power to 1,05 V at 21°C / 60% r.h.  
according to IEC60086-2 Feb. 2006 (11th Edition)

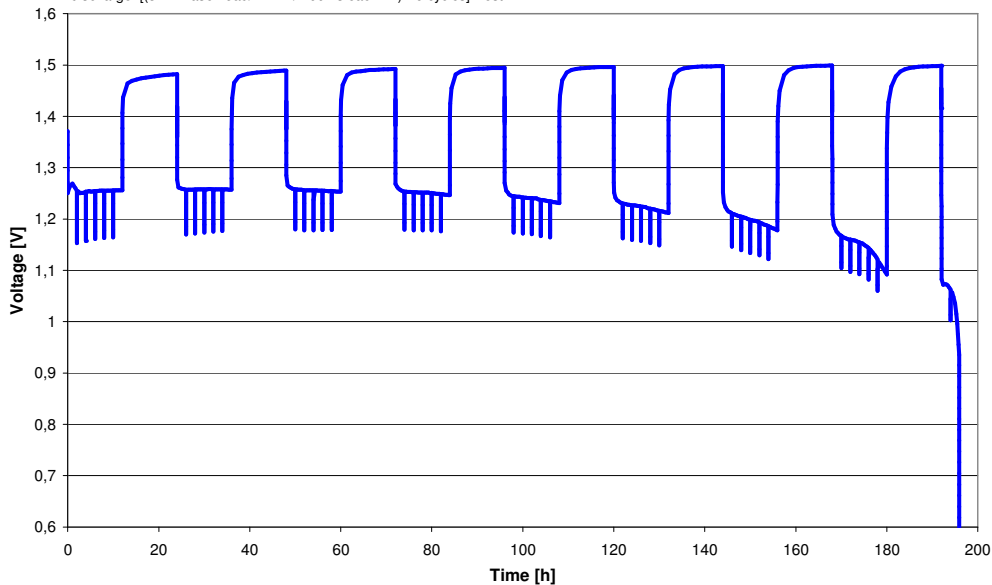
\*\*1000 Ohms 12h/day to 1.1V at 21°C / 60% r.h.

### Dimensions:

according to IEC60086-2 Feb. 2006 (11th Edition)  
IEC: PR 48

## Typical discharge characteristics at 21° C / 60% r.h.:

High-Power discharge test - ambient Temp.: 21°C +/-2, 60%RH +/- 5  
discharge: [(3mA Base Load/ 12mA/ 100ms each 2h) \* 6 cycles] Rest 12h



Panasonic Energy Europe NV  
Brusselsesteenweg 502  
B 1731 Zellik-Asse  
Tel.: +32 (2) 481 11 70  
Fax: +32 (2) 466 99 34  
panasonic.batteries@eu.panasonic.com  
www.panasonic-batteries.com

This data is subject to change without prior notice. Performance information is typical.  
Contact Panasonic Energy Europe for latest information. March 2011