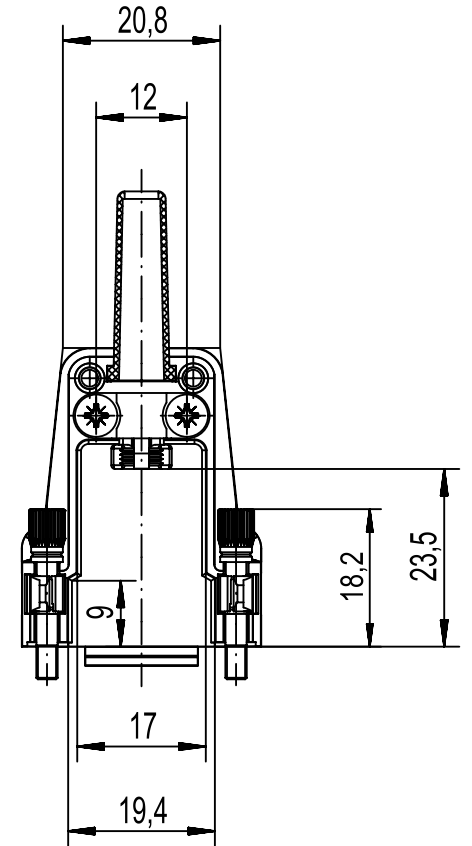



view of the hood without lid



Cable diameter without rubber bushing:
 ØF min: 3 mm
 ØF max: 9,5 mm

Cable diameter with rubber bushing:
 ØF max: 6,5 mm

	All Dimensions in mm Original Size DIN A4		Scale 1:1	Free size tol.		Ref.		
	All rights reserved Department EC PD - FR		Created by DOUGE	Inspected by BAGDIKIAN	Standardisation HOFFMANN	Date 2014-02-14	State Final Release	
HARTING Electronics GmbH D-32339 Espelkamp		Title D-Sub 9-poles metal hood top entry					Doc-Key / ECM-Nr. 100527872/UGD/001/B 500000071307	
Part number 09670090320	Screw thread 4-40 UNC-2A	Type TB		Number 09670090320		Rev. B	Page 1/1	