

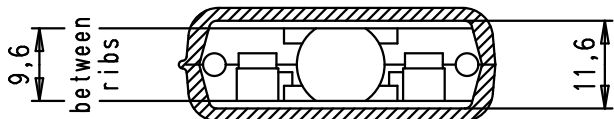
5 4 3 2 1

D

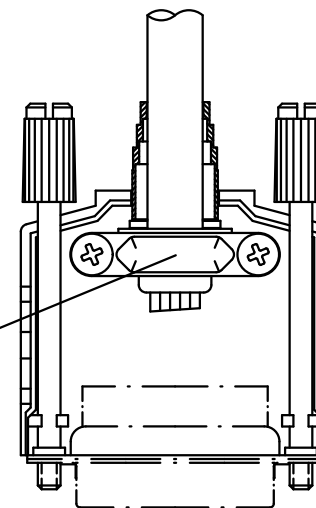
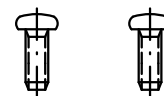
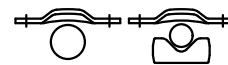
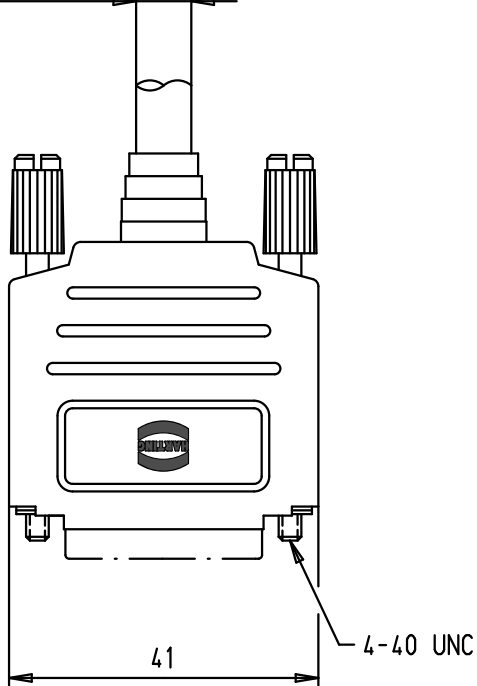
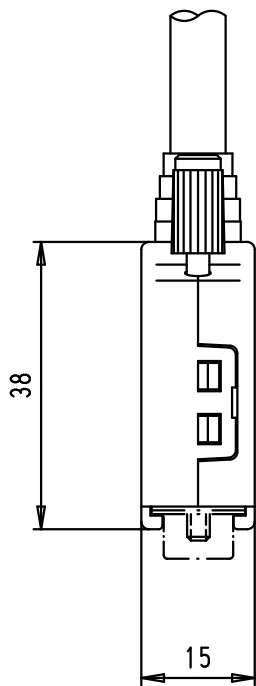
C

B

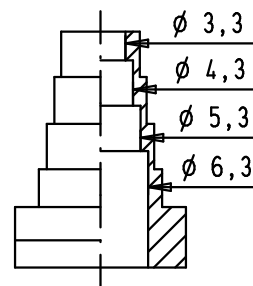
A



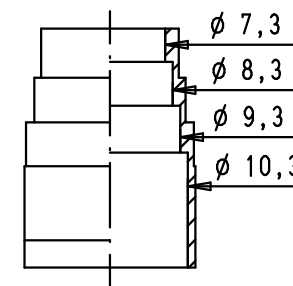
Max.  $\phi$  11,5





Cable diameters



Cable diameters



Scale: 2:1

				Dot.	Name	 All Dim. in mm Orig. Size DIN A 4	D-Sub, top entry hood with knurled screws, 15 poles, thermoplastic metallized	Maßstab/ Scale
			Detail.	28/03/02	CV			1:1
			Insp.					2:1
			Stand.					
34784	12/02/08	PK	HARTING EURL F-95972 Paris				TB 09 67 015 0425	Blatt/ Page
29760	28/03/02	CV						1 / 1
Mod.	Dot.	Name						Sub.