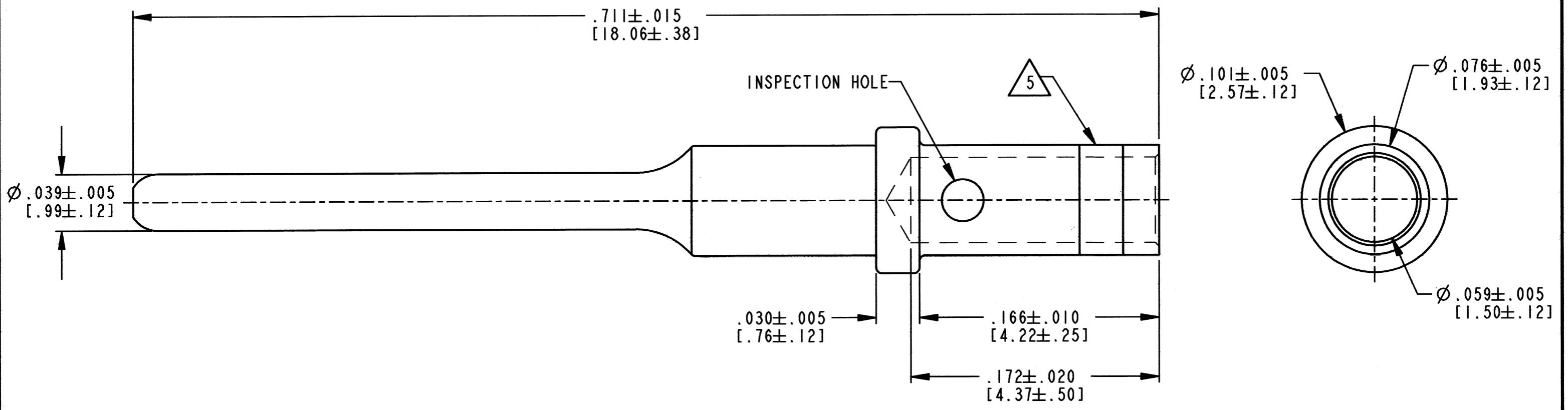


REV  
B 0460-010-20\*\*

REVISIONS			
SYM	DESCRIPTION	DATE	APPROVED
NC	NEW RELEASE PER E.O. P19622	9-19-07	R.D.R.
A	REVISED PER E.O. P20270	7-27-09	R.D.R.
B	REVISED PER E.O. P21283	1-25-12	RDR



- 5 PIN CONTACT IS IDENTIFIED BY A SINGE PURPLE STRIPE.
- 4. FOR CONTACT PERFORMANCE AND APPLICATION CHARACTERISTICS SEE DRAWING 0425-015-0000.
- 3. THIS CONTACT MAY BE CRIMPED WITH HDP-400 POWER PRESS OR HDT-48-00 HAND TOOL. SEE DRAWING 0425-205-0000 FOR APPLICABLE WIRE SIZE AND CRIMPING INFORMATION.
- 2. WHEN \*\* = 31: GOLD OVER NICKEL OVER COPPER  
WHEN \*\* = 141: NICKEL OVER COPPER  
WHEN \*\* = 309: TIN OVER NICKEL OVER COPPER
- 1. DIMENSIONS ARE IN INCHES [mm]

NOTES: UNLESS OTHERWISE SPECIFIED

SIGNATURE & DATE		CONTACT PIN SIZE 20 16-18 AWG	EP	MATL. CODE
DR	D. MEYER 08-22-07		3850 INDUSTRIAL AVE. HEMET, CA 92545	
CHK	D. MEYER 1/23/12		DEUTSCH INDUSTRIAL	
PE	D. MEYER 1/23/12		B 0460-010-20**	
APPD	R. ROSEN 2-3-12	ENVELOPE	DWG SIZE	CODE 11139
SCALE	NONE	WT	SHEET   OF	