

φ172mm

San Ace 172



General Specifications

- Material Frame: Aluminum, Impeller: Plastics (Flammability: UL94V-1)
- Expected Life Refer to specifications (L10:Survival rate:90% at 60°C ,
rated voltage, and continuously run in a free air state)
- Lead Wire ⊕red ⊖black or blue (Sensor) yellow
- Storage Temperature -30°C to +70°C (Non-condensing)

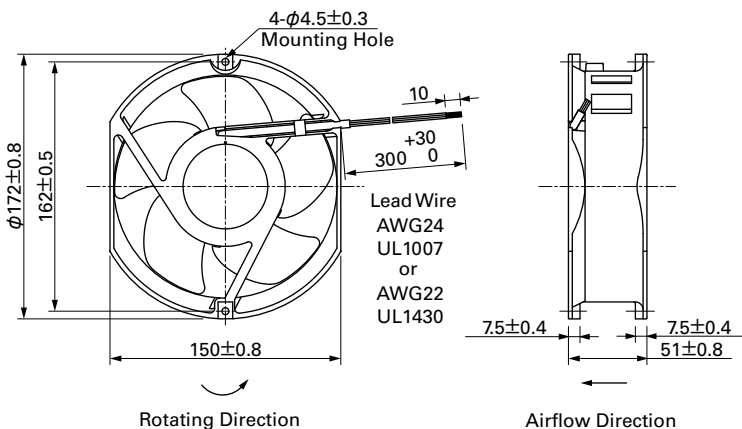
φ172mm × 150mm × 51mm (Mass : 760g) **9E type Sidecut type**

Specifications The following nos. have pulse sensors.

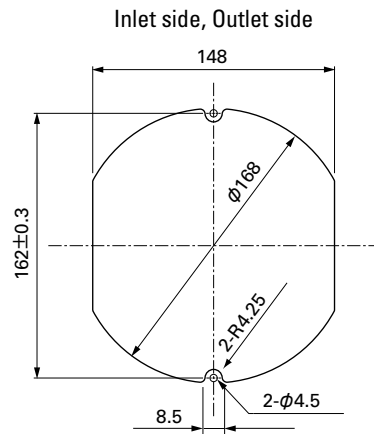
| Model No. | Rated Voltage [V] | Operating Voltage Range [V] | Rated Current [A] | Rated Input [W] | Rated Speed [min ⁻¹] | Max. Airflow [m ³ /min] [CFM] | Max. Static Pressure [Pa] [inchH ₂ O] | SPL [dB(A)] | Operating Temperature [°C] | Expected Life [h] |
|--------------|-------------------|-----------------------------|-------------------|-----------------|----------------------------------|--|--|-------------|----------------------------|-------------------|
| 109E5712K501 | 12 | 10.2 to 13.8 | 2.9 | 34.8 | 4,100 | 8.5 300 | 243.0 0.976 | 60 | -20 to +60 | 40,000/60°C |
| 109E5712Y501 | | | 2.3 | 27.6 | 3,800 | 8 282 | 210 0.84 | 60 | | |
| 109E5712H501 | | | 1.2 | 14.4 | 3,050 | 6.4 226 | 137.2 0.551 | 52 | -20 to +70 | |
| 109E5712F501 | | | 0.68 | 8.16 | 2,500 | 5.1 180 | 95 0.38 | 47 | | |
| 109E5712M501 | | | 0.48 | 5.76 | 2,000 | 4.2 148 | 67.6 0.271 | 41 | | |
| 109E5724C501 | 24 | 20.4 to 27.6 | 2.3 | 55.2 | 4,800 | 9.9 350 | 308.0 1.237 | 66 | -20 to +70 | |
| 109E5724K501 | | | 1.3 | 31.2 | 4,100 | 8.5 300 | 243.0 0.976 | 60 | | |
| 109E5724H501 | | | 0.58 | 13.92 | 3,050 | 6.4 226 | 137.2 0.551 | 52 | | |
| 109E5724F501 | | | 0.35 | 8.4 | 2,500 | 5.1 180 | 95 0.38 | 47 | | |
| 109E5724M501 | | | 0.2 | 4.8 | 2,000 | 4.2 148 | 67.6 0.271 | 41 | | |
| 109E5748C501 | 48 | 40.8 to 55.2 | 1.2 | 57.6 | 4,800 | 9.9 350 | 308.0 1.237 | 66 | -20 to +60 | |
| 109E5748K501 | | | 0.7 | 33.6 | 4,100 | 8.5 300 | 243.0 0.976 | 60 | | |
| 109E5748H501 | | | 0.28 | 13.44 | 3,050 | 6.4 226 | 137.2 0.551 | 52 | -20 to +70 | |
| 109E5748F501 | | | 0.19 | 9.12 | 2,500 | 5.1 180 | 95 0.38 | 47 | | |
| 109E5748M501 | | | 0.11 | 5.28 | 2,000 | 4.2 148 | 67.6 0.271 | 41 | | |

Other sensor specifications are available as options. Please refer to the index (p. 496).

Dimensions (unit: mm)



Reference Dimensions of Mounting Holes and Vent Opening (unit: mm)

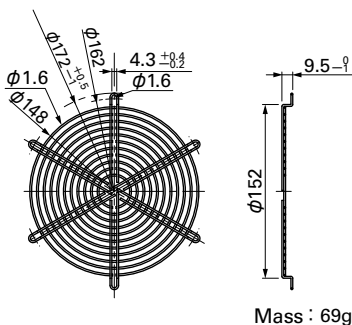


Options (unit: mm)

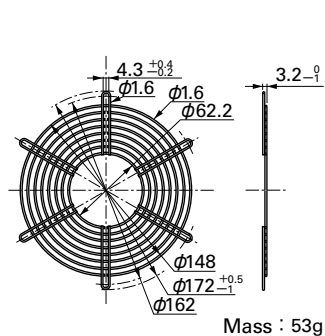
Finger Guards

Model : 109-319E Surface treatment : Nickel-chrome plating (silver) Color : 109-319H : Cation electropainting (black)

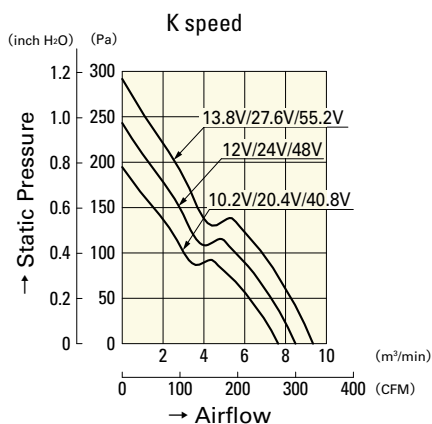
Inlet side, Outlet side



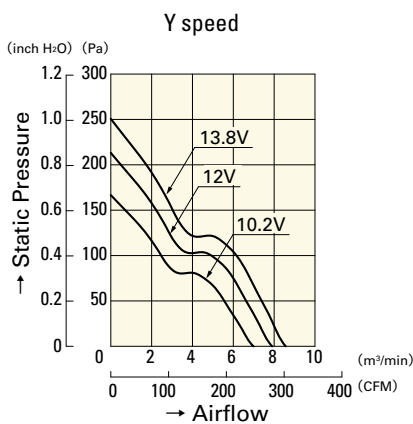
Outlet side



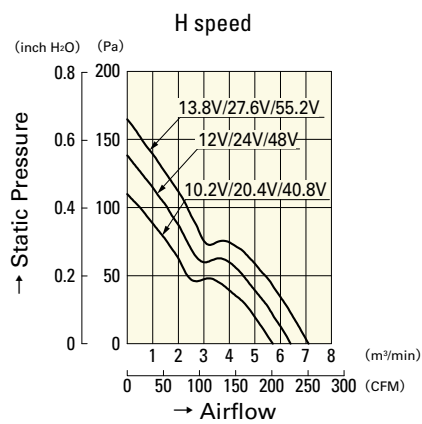
Airflow - Static Pressure Characteristics



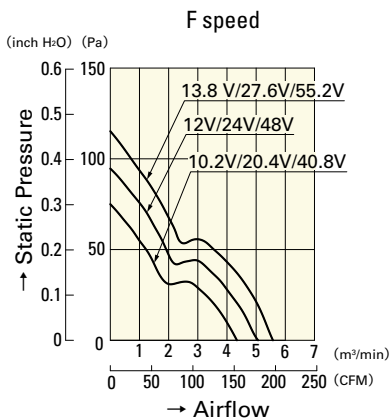
- 109E5712K501
- 109E5724K501
- 109E5748K501



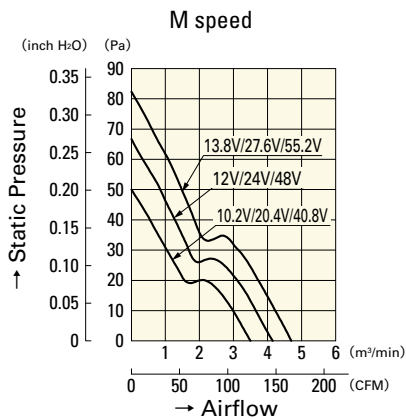
- 109E5712Y501



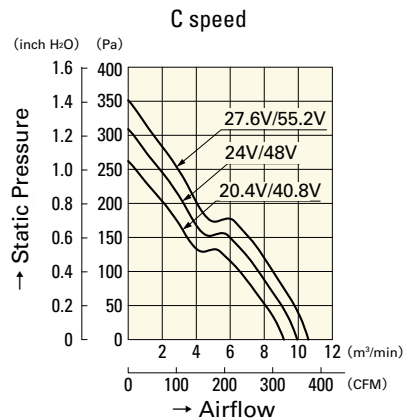
- 109E5712H501
- 109E5724H501
- 109E5748H501



- 109E5712F501
- 109E5724F501
- 109E5748F501



- 109E5712M501
- 109E5724M501
- 109E5748M501



- 109E5724C501
- 109E5748C501