



Autotool System 3080

Bench mount kit automatic 3080

Assembly Instructions
Montageanleitung

GB	English	Translation of the original instructions	3
DE	Deutsch	Originalanleitung	21

Table of contents

1	Notes for the user	4	5	Installation	8
1.1	Information about these instructions	4	5.1	Installing Bench mount kit automatic 3080	8
1.2	Information about the product	4	5.1.1	Setting up Bench mount kit automatic 3080	8
1.3	Warranty	4	5.1.2	ATS3080 insertion	9
1.4	Contact data	4	5.1.3	Adjusting the point-to-point path	9
1.5	Copyright and intellectual property rights	4	5.1.4	Inserting the Power pack 3080	9
1.6	Keeping and dissemination of these instructions	4	5.1.5	Adjusting spikes	10
1.7	Target group of these instructions	4	5.1.6	Connecting the ATS3080 and Bench mount kit automatic 3080	10
1.8	General information	4	5.1.7	Inserting the BMK closure chain guide	10
1.9	Conventions adopted in these instructions	4	5.1.8	Inserting the closure reel	10
1.9.1	Classification of the precautionary notices	4	5.1.9	Inserting the strap reel	11
1.9.2	Other notational conventions	4	5.2	Positioning	12
2	Safety warnings	5	5.2.1	Positioning the material for bundling	12
2.1	General power tool safety warnings	5	5.2.2	Geometries of materials for bundling	12
2.2	Intended use	5	5.3	Check of finished bindings	12
2.3	Misuse	5	5.4	Sequence of movements in normal operation	12
2.4	Personnel qualification	5	5.4.1	Point-to-point path	13
2.4.1	Specialist personnel for operation	5	5.4.2	Additional cylinder (optional)	13
2.4.2	Specialist personnel for maintenance and repair	5	6	Control unit	13
2.4.3	Authorised person for low-voltage electrical equipment	5	6.1	Precondition	13
2.4.4	Authorised specialist for repair and testing	5	6.2	Error messages	13
2.5	Underlying hazards associated with use of the ATS3080 or the Bench mount kit automatic 3080	5	6.3	Rectifying error	13
2.5.1	Electricity and compressed air	5	7	Maintenance	13
2.5.2	Cleanliness at the workplace	5	7.1	Important notes	13
2.5.3	Spare parts and accessories	6	7.2	Spare parts	13
3	Functional description	6	7.3	General maintenance activities	13
3.1	ATS3080	6	7.4	Changing the strap reel	14
3.2	Power pack 3080	6	7.5	Changing the closure reel	14
3.3	Bench mount kit automatic 3080	7	8	Technical data	15
4	Transport, scope of supply, accessories and storage	7	8.1	Interface overview, Power pack 3080	15
4.1	Transporting the device	7	8.2	Bench mount kit automatic 3080	16
4.2	Scope of supply	7	8.3	Control boxes	17
4.3	Accessories	7	8.3.1	Interface overview, control boxes	17
4.4	Disposal	7	8.3.2	Connector pinouts, control boxes	17
4.5	Storage	8	8.4	Connection plan	18
4.5.1	ATS3080 and Power pack 3080	8	8.5	Circuit diagram	19
4.5.2	Strap and closures	8	9	Declaration of conformity	20

1 Notes for the user

These instructions will help you use the Bench mount kit automatic 3080. They contain important information and safety instructions that will enable you to install the Bench mount kit automatic 3080 properly and utilise it correctly and economically for its intended use.

1.1 Information about these instructions

Use these instructions only together with the Operating Instructions of the ATS3080.

Last update: 22.03.2018

1.2 Information about the product

Product designation: Bench mount kit automatic 3080

Article number: 102-00042

1.3 Warranty

The warranty is in accordance with statutory requirements. Warranty entitlement applies only in the country in which the device was originally purchased. Batteries, fuses and light sources are not covered by the warranty.

1.4 Contact data

The manufacturer of the product described in these instructions is:

HellermannTyton GmbH

Grosser Moorweg 45

D-25436 Tornesch, Germany

Tel. +49 4122 701-0

www.HellermannTyton.de

info@HellermannTyton.de

1.5 Copyright and intellectual property rights

The manufacturer retains the copyright to these instructions. Under no circumstances may these instructions be reproduced or electronically processed, replicated or disseminated, in whole or in part, without the prior written consent of HellermannTyton GmbH (hereinafter referred to as HellermannTyton).

Any breach or infringement of these stipulations will result in liability for damages.

1.6 Keeping and dissemination of these instructions

These instructions must be kept in the immediate vicinity of the workplace and must be available at all times to all operating personnel. The operating company shall inform the operating personnel of the location of these instructions. The operating company shall obtain replacement from the manufacturer if these instructions are, become or are rendered no longer easily legible.

If the Bench mount kit automatic 3080 is acquired by or sold on to a third party the following documents must be handed over to the new owner:

- These instructions
- Documents relating to repair work
- Logs of repair work undertaken

1.7 Target group of these instructions

These instructions must be read and complied with by every person charged with any of the following tasks:

- Installation
- Operation
- Maintenance
- Repair
- Fault rectification

1.8 General information

All accompanying drawings are exempt from the modification service.

1.9 Conventions adopted in these instructions

1.9.1 Classification of the precautionary notices

Precautionary notices in these instructions draw attention to hazards associated with use of the device and indicate how they can be avoided.

Non-compliance of any nature whatsoever can lead to accidents with fatal consequences, injury or damage to property.

The precautionary notices are subdivided into three groups according to the severity of the potential hazard:

DANGER

Texts accompanied by the signal word "DANGER" indicate hazardous situations which, in the event of non-compliance with the appropriate precautions, will cause death or severe injury.

WARNING

Texts accompanied by the signal word "WARNING" indicate hazardous situations which, in the event of non-compliance with the appropriate precautions, can cause serious injury.

CAUTION

Texts accompanied by the signal word "CAUTION" indicate hazardous situations which, in the event of non-compliance with the appropriate precautions, can cause slight injury.


1.9.2 Other notational conventions


- ▶ Indicates an instruction
- Indicates an item in a bulleted list
- ☑ Indicates the result of an action

→ *This text highlight* is used for cross-references.

NOTE

Texts accompanied by the signal word "NOTE" indicate situations which, in the event of non-compliance with the appropriate precautions, can cause damage to the ATS3080 or the Bench mount kit automatic 3080.

 Texts accompanied by this symbol contain information about environmental protection.

 Texts accompanied by this symbol contain useful additional information.

2 Safety warnings

2.1 General power tool safety warnings

i The safety warnings in the Operating instructions for the ATS3080 also apply to operation of the ATS3080 after installation of an automation system or device.

! WARNING

Non-compliance with the safety warnings below can lead to severe injuries, fire and electric shock.

- ▶ Comply with the instructions and warnings below.
- ▶ Keep the Operating instructions for the ATS3080 ready to hand.

2.2 Intended use

Use the Bench mount kit automatic 3080 only when it is in full working order and safe, always be safety-conscious and aware of the hazards.

The Bench mount kit automatic 3080 with integrated ATS3080 is suitable for and intended for the following uses:

- Automatic binding of bundles up to a diameter of max. 80 mm
- For indoor use only
- Industrial use
- When incorporated into automated production lines, the Bench mount kit automatic 3080 must be installed upright; use is permitted only when it is installed in this position.

2.3 Misuse

Use other than that stated in the section entitled "Intended use" is misuse. The operating company responsible for use of the Bench mount kit automatic 3080 bears sole responsibility for injury and damage resulting from misuse.

The safety regulations for the ATS3080 (see the Operating Instructions for the ATS3080) apply in addition.

The following are specifically prohibited:

- Use with faulty parts
- Use in explosive environments or in the presence of a fire hazard
- Use outdoors
- Use in high humidity and/or direct sunlight
- Manipulation while processes are in progress
- Unauthorised alterations and modifications to the Bench mount kit automatic 3080 and its component parts without the prior consent of HellermannTyton
- Use of spare parts and accessories not tested and approved beforehand by HellermannTyton

2.4 Personnel qualification

Underage persons and trainees are permitted to use the device only under the supervision of an experienced specialist and only with the express permission of the operating company.

2.4.1 Specialist personnel for operation

The tasks and authorisations assigned to specialist personnel for extended operation are as follows:

- Operation of the ATS3080 and the Bench mount kit automatic 3080
- Rectification of faults or, as applicable, initiation of measures for the rectification of faults
- Cleaning of the ATS3080 and the Bench mount kit automatic 3080

These individuals have the specialist training or practical experience that will ensure correct handling.

2.4.2 Specialist personnel for maintenance and repair

Always have maintenance and repair work carried out by duly qualified specialist personnel. These individuals have received training that affords sufficient knowledge of the ATS3080 or the automatic 3080 Bench mount kit for them to judge when it is in safe working order.

These individuals are also familiar with the following rules and regulations:

- Applicable national health and safety regulations
- Accident prevention regulations
- Generally accepted codes of practice, regulations and standards

2.4.3 Authorised person for low-voltage electrical equipment

Work on the electrical supply and on parts that are live when the device is in operation should always be carried out by a person duly authorised to work on low-voltage electrical equipment.

2.4.4 Authorised specialist for repair and testing

Only service technicians from HellermannTyton or service technicians authorised by HellermannTyton are permitted to carry out repairs and safety checks.

2.5 Underlying hazards associated with use of the ATS3080 or the Bench mount kit automatic 3080

2.5.1 Electricity and compressed air

- ▶ Always wear safety glasses and suitable safety equipment whilst working.
- ▶ Before installation, cleaning and maintenance, depressurise disconnect the ATS3080, the Power pack 3080 and the Bench mount kit automatic 3080 from the power supply.

2.5.2 Cleanliness at the workplace

Orderliness, good lighting and cleanliness at the workplace all help to make work easier and to minimise hazards and the risk of injury.

Always comply with the following principles of orderliness and cleanliness at the workplace:

- ▶ Put tools away as soon as they are no longer needed.
- ▶ Avoid trips (e.g. immediately dispose of waste by placing it in the containers provided for the purpose).

- ▶ Immediately remove spillages of grease, oil and other liquids.
- ▶ Avoid dirt on the display field of the ATS3080.

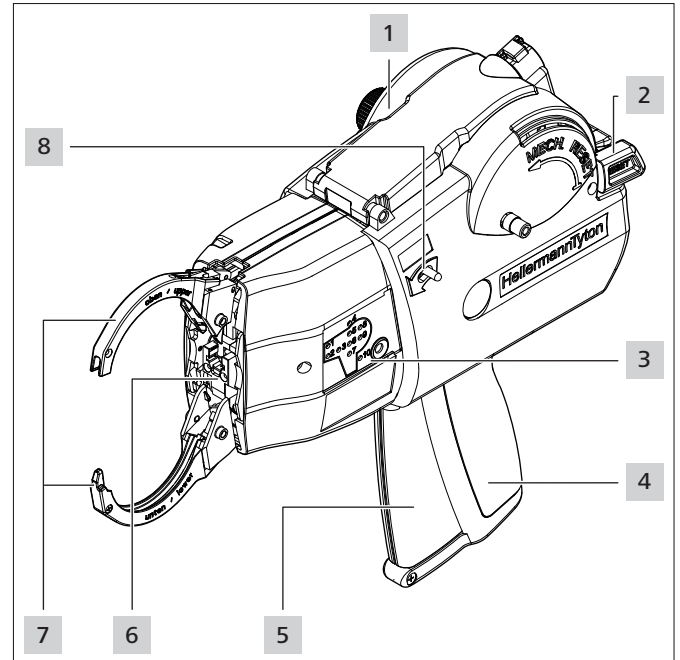
2.5.3 Spare parts and accessories

- Use only original replacement parts.
- After parts have been replaced, always make sure that everything is in full working order.
- Use only accessories approved by HellermannTyton. Accessories can affect the way in which the ATS3080 or Bench mount kit automatic 3080 works.

3 Functional description

i ATS3080 and Power pack 3080 are not included in the scope of supply. For a description of the ATS3080 and the Power pack 3080, see the Operating Instructions for the ATS3080.

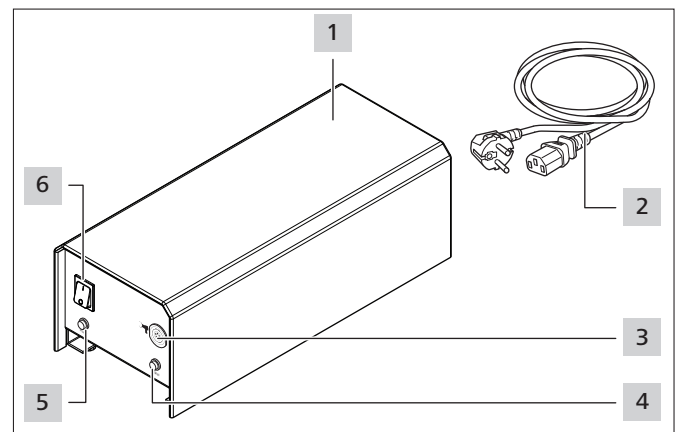
3.1 ATS3080



- 1 ATS3080
- 2 Reset lever
- 3 Display
- 4 Grip
- 5 Triggering lever
- 6 Front cap with sensor
- 7 Upper and lower jaws
- 8 Jaw-opening lever

The ATS3080 **1** loops the inserted strap round the bundle, tensions and then cuts off the strap. Binding is a zero-waste operation.

3.2 Power pack 3080

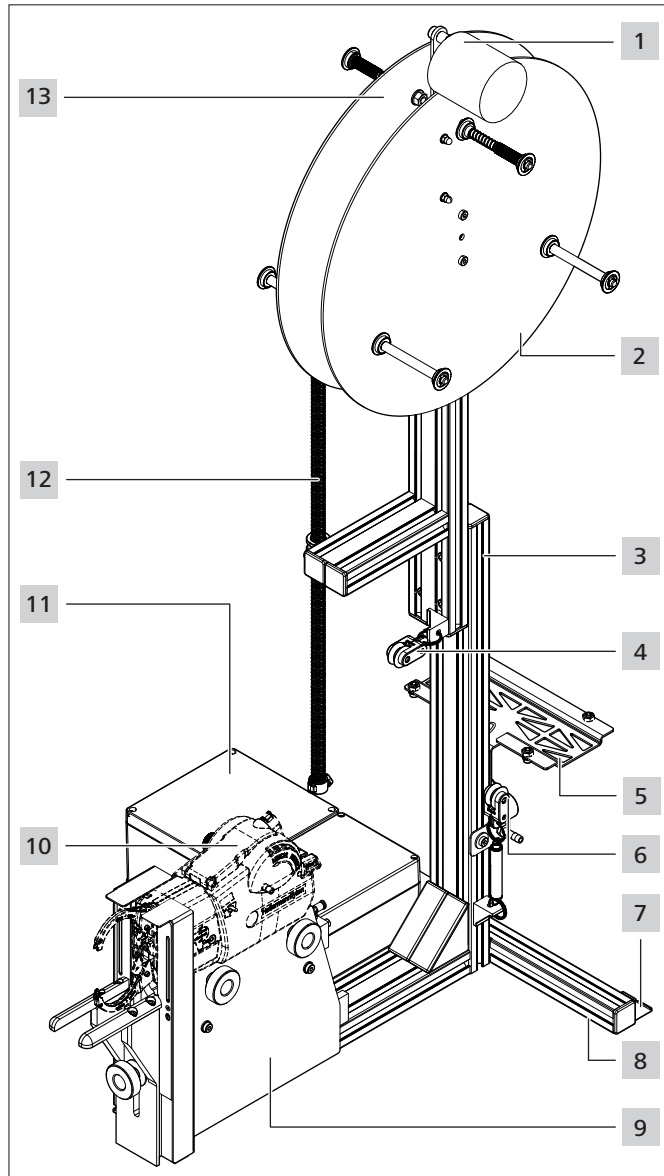


- 1 Housing
- 2 Power cable (socket and fuse on the rear of the housing)
- 3 Socket for connection to ATS3080
- 4 LED indicator, operating voltage
- 5 LED indicator on Power pack 3080 switched on
- 6 Main switch

The Power pack 3080 supplies electricity to the ATS3080.

To the interfaces on both sides of the housing,
 → "Interface overview, Power pack 3080" on page 15

3.3 Bench mount kit automatic 3080



- | | |
|------------------------------|----------------------------|
| 1 Brake block | 8 Base |
| 2 Holder for strap reel | 9 Tool holder |
| 3 Column | 10 ATS3080 |
| 4 Deflection roller | 11 Control boxes |
| 5 Holder for Power pack 3080 | 12 BMK closure chain guide |
| 6 Deflection roller | 13 Holder for closure reel |
| 7 Mounting angle bracket | |

The Bench mount kit automatic 3080 holds the ATS3080 in an upright position. The Bench mount kit automatic 3080 is bolted to the base by mounting angle bracket **7**.

This bundling is carried out horizontally by the ATS3080 **10**. An automatic binding is triggered by the control unit, → "Control unit" on page 13.

4 Transport, scope of supply, accessories and storage

4.1 Transporting the device

Always use the supplied box to transport the Bench mount kit automatic 3080.

The components of the Bench mount kit automatic 3080 are packaged for transport.

NOTE

Components not correctly packed are subject to a risk of damage in transit.

- ▶ Do not unpack components until just before they are going to be installed.

4.2 Scope of supply

Name	Article number
Assembly Instructions	102-01012
Power pack 3080 24 V	102-00142
Push button switch	123-90055
Deflection roller (x2)	102-73026
Spring for deflection roller	102-74006
Set of spikes, 2-piece	102-74003
Foot pedal cable 2m [X1]*	123-90061
Plug connector for PLC, with cable 2m [X2]*	102-00214
Plug connector for PLC, with cable 2m [X3]*	102-00215
BMK 3080 closure chain guide	102-00325

*) X1 ... X3: → "Connection plan" on page 18

4.3 Accessories

Name	Article number
Plate	102-74005

4.4 Disposal

The operating company is under obligation to ensure that at the end of its useful life, the ATS3080 and the components including the accessories are disposed of in accordance with the applicable local regulations. End-of-life (EOL) disposal of the ATS3080 and individual subassemblies and the disposal of consumables and auxiliaries are subject in part to statutory regulations.

The appropriate local authorities will provide detailed information on request.

- ▶ Always dispose of packaging materials in accordance with the currently valid materials-disposal and environmental protection regulations.
- ▶ Always take materials, production waste and consumables for disposal to certified collection points.
- ▶ Contact the manufacturer for advice if there is any lack of clarity regarding disposal.

4.5 Storage

4.5.1 ATS3080 and Power pack 3080

- ▶ ATS3080 and Power pack 3080 in a cool, dry place.
- ▶ Avoid direct sunlight.
- ▶ ATS3080 and store Power pack 3080 in dustproof packaging.
- ▶ Store electrical components (ATS3080 and Power pack 3080) in impact-absorbing packaging and separately from the accessories.
- ▶ Consult and comply with the appropriate data sheets for storage of the accessories.

4.5.2 Strap and closures

NOTE

Strap and closures are not resistant to ageing. The plastic deteriorates if storage time is prolonged.

- ▶ Use up the strap and closures promptly.

Recommendation

Storage temperature	20 °C – 23 °C
Relative humidity	50% rel.

- ▶ Always store the strap reels and the closure reels until needed in the bags in which they are supplied and make sure that the bags remain airtight. If necessary, seal the bags with adhesive tape.
- ▶ Do not keep in storage for longer than 6 months.
- ▶ Never leave the packaging open for longer than 12 hours.
- ▶ Do not open the packaging until immediately before the contents are to be used and use up the whole strap promptly.
- ▶ Do not expose the strap reels or the closure reels to direct sunlight.
- ▶ Keep the strap reels and the closure reels away from sources of heat.

5 Installation

5.1 Installing Bench mount kit automatic 3080

Tools needed

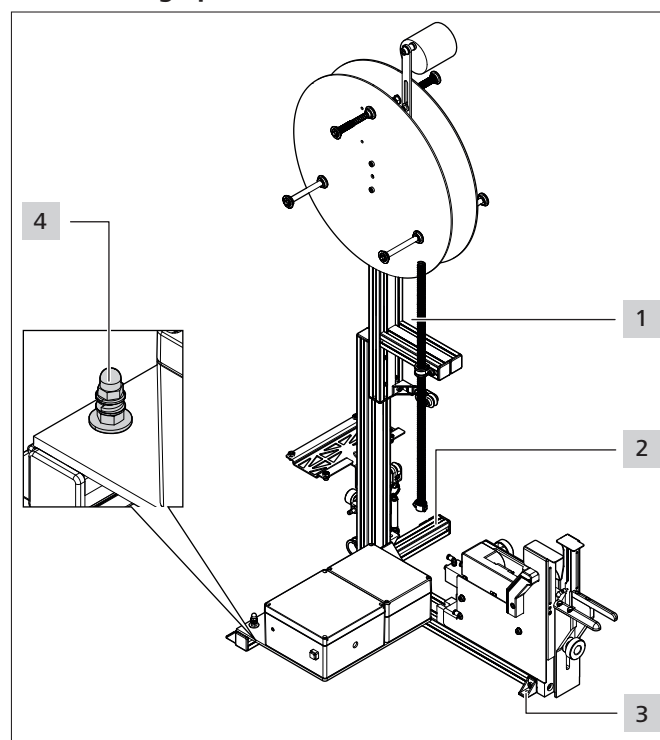
- Open-ended spanner, w/f 10 mm
- Allen keys, w/f 4 mm, 5 mm

CAUTION

Crush hazard when jaws close

- ▶ Always keep the Power pack 3080 pack switched off while installation is in progress.
- ▶ Depressurise the compressed-air system and secure against unintentional restart.

5.1.1 Setting up Bench mount kit automatic 3080

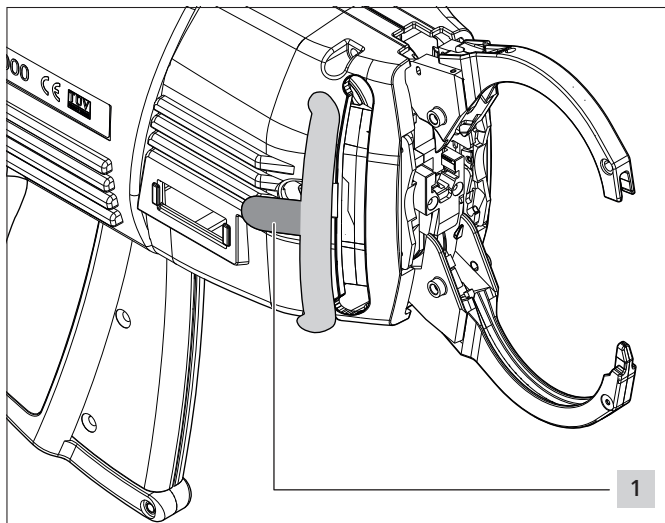


- ▶ Position the base **2** of Bench mount kit automatic 3080 **1** on a clean, level and flat worktop.
- ▶ Secure the Bench mount kit automatic 3080 **1** to the worktop with three mounting angle brackets **3** so that it cannot slip out of position.

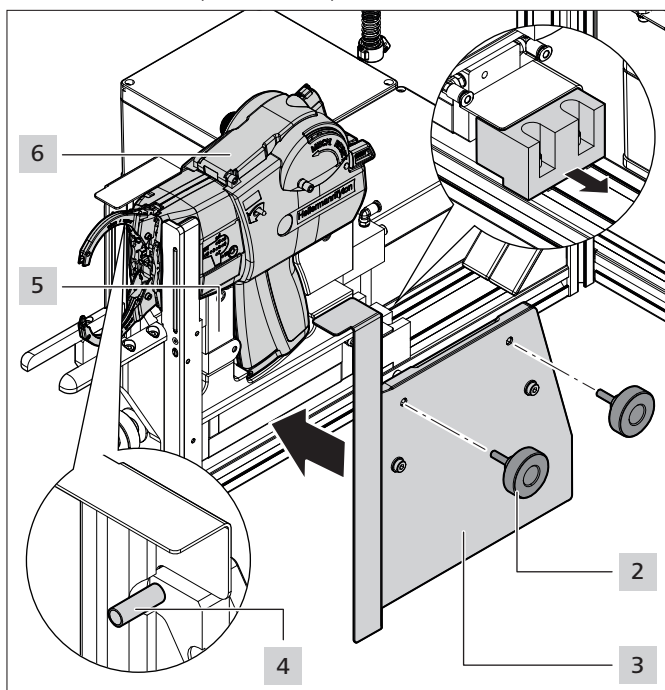
 Recommended screw size: M6 x 25 mm (min.)

- ▶ Connect a grounding cable (min. 16 mm²) to stud **4** of the Bench mount kit automatic 3080 **1**.

5.1.2 ATS3080 insertion



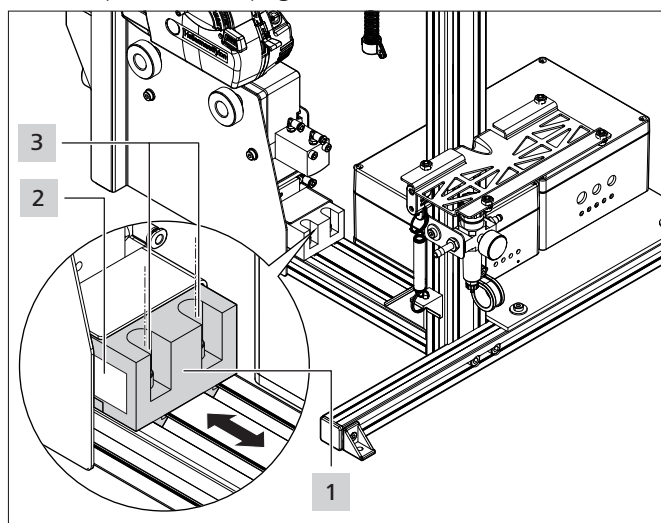
- ▶ Remove the size 80 quadrant stop from the right side of the ATS3080 and break off tab **1**.
- ▶ Re-insert the quadrant stop without the tab.



- ▶ Unscrew knurled screws **2** holding cover **3** of tool holder **5** and remove cover **3**.
- ▶ Insert the ATS3080 **6** with the grip into the tool holder **5**.
- ☑ Sensor **4** slots into the opening on the right side of the tool.
- ▶ Hold cover **3** of tool holder **5** in position and secure it with knurled screws **2** to the ATS3080 **6**.

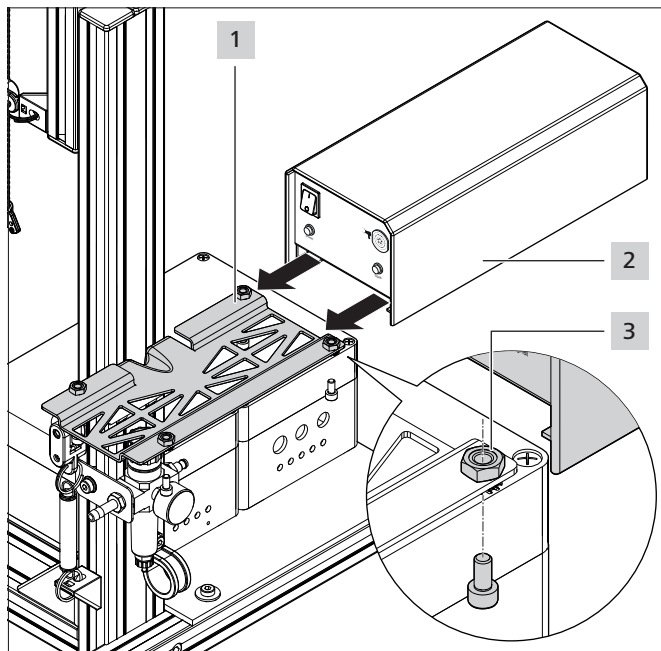
5.1.3 Adjusting the point-to-point path

The point-to-point path has to be adjusted to suit the jaw size of the ATS3080, → "Sequence of movements in normal operation" on page 12.



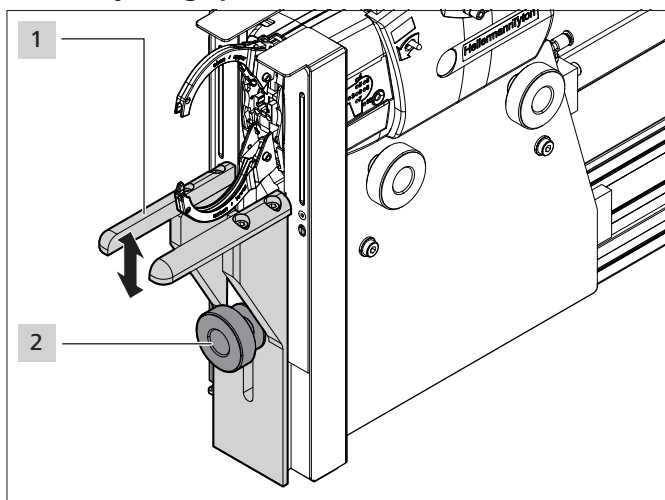
- ▶ Unscrew screws **3** of limiting block **1** and move limiting block **1** to the desired position.
 - The point-to-point path for jaws with Ø30 mm and Ø50 mm is 15 mm.
 - The point-to-point path for jaws with Ø80 mm is 22 mm.
- ▶ Secure limiting block **1** with the screws **3**, see label **2**.

5.1.4 Inserting the Power pack 3080



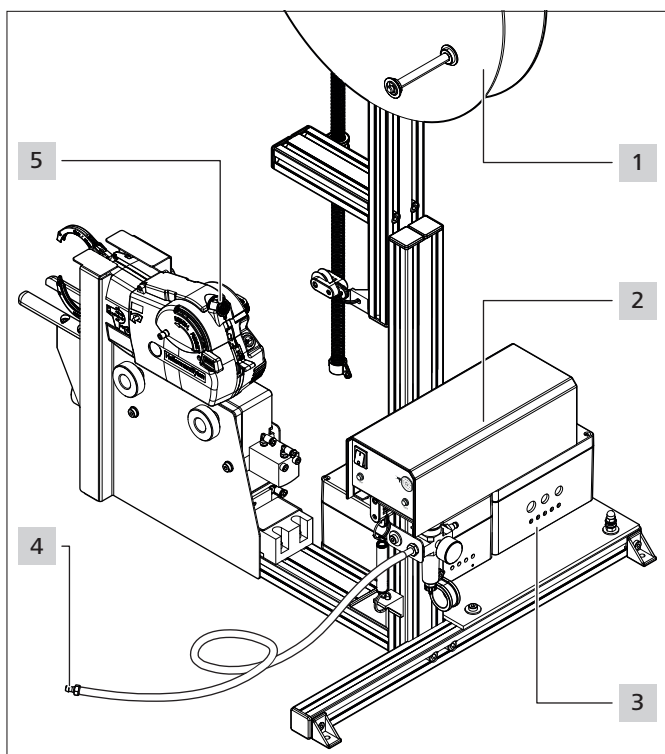
- ▶ Unscrew the screws **3** and remove downwards.
- ▶ Insert Power pack 3080 **2** from the side in such a way that rubber feet of Power pack 3080 **2** are underneath tool holder **1**.
- ▶ Insert screws **3** and tighten.

5.1.5 Adjusting spikes



- ▶ Unscrew clamping screw **2**.
- ▶ Set spikes **1** to the desired height for the material to be bundled.
- ▶ Tighten clamping screw **2**.

5.1.6 Connecting the ATS3080 and Bench mount kit automatic 3080

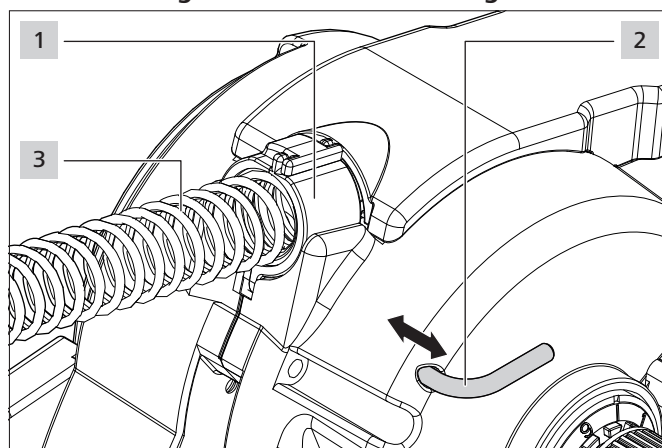


i To connect the ATS3080 and the Power pack 3080, observe the ATS3080 operating instructions.

- ▶ Connect the ATS3080 **5** to the Power pack 3080 **2**, → "Connection plan" on page 18
- ▶ Connect the power supply, → "Interface overview, Power pack 3080" on page 15
- ▶ Connect control boxes **3** to the customer-supplied control unit, → "Interface overview, control boxes" on page 17

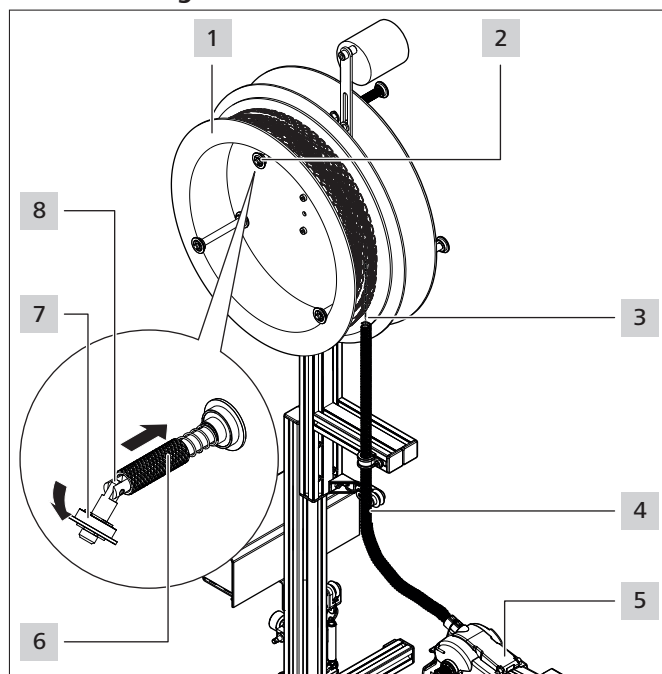
- ▶ Connect compressed air connection **4** to the compressed air supply system.
- ▶ Make sure that all the wiring is free of kinks.
- ▶ Check that compressed air connection **4** is secure and leak-tight.
- ▶ Make sure that there is nothing to obstruct accessibility to ATS3080 **5**, Power pack 3080 **2**, control boxes **3** and reel holders **1**.

5.1.7 Inserting the BMK closure chain guide



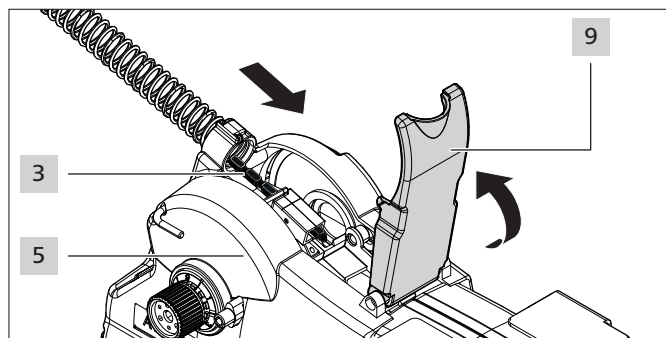
- ▶ Pull out locking pin **2**.
- ▶ Insert holder **1** of closure chain guide **3**.
- ▶ Allow locking pin **2** to lock firmly into place.

5.1.8 Inserting the closure reel



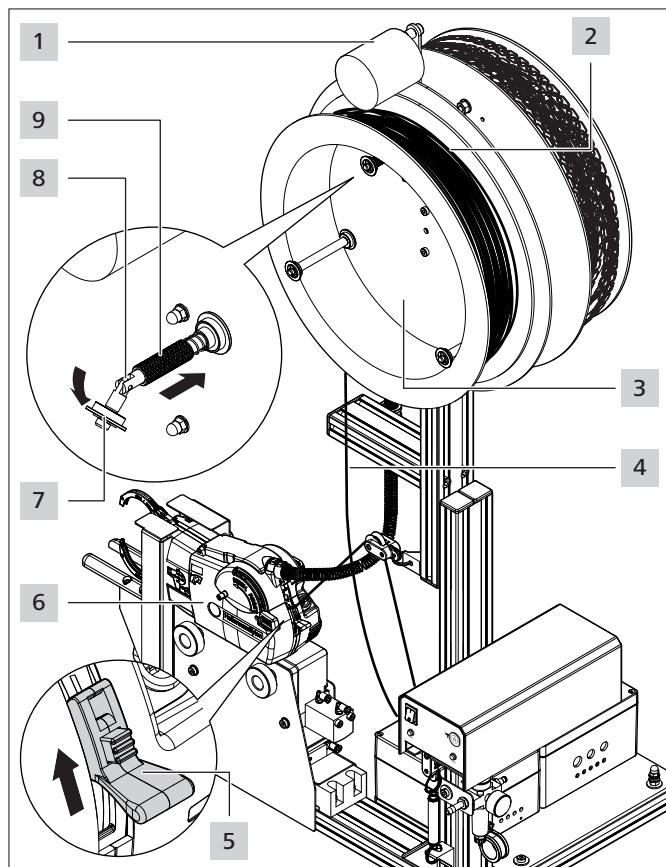
- ▶ Remove closure reel **1** from its packaging and remove the protective mesh.
- ▶ Push in sleeve **6** of articulated shaft **8** and tilt bearing **7** inward.
- ▶ Insert closure reel **1** onto reel mount **2**. Note the coiling position in this process.
- ☑ Closure reel **1** uncoils clockwise.

- ☑ The collar of reel brake **7** holds closure reel **1** on the Bench mount kit automatic 3080.
- ▶ Introduce closure chain **3** with the number facing up into closure chain guide **4**.
- ▶ Feed closure chain **3** through closure chain guide **4** to ATS3080 **5**.
- ▶ Make sure that the closure chain **3** is not twisted.



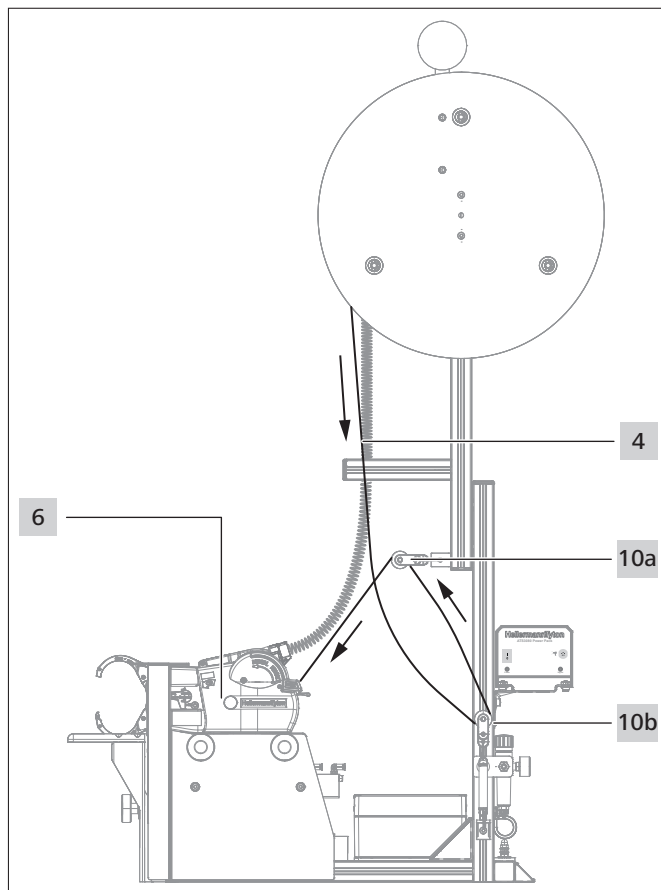
- ▶ Open cover **9** of ATS3080 **5**.
- ▶ Insert closure chain **3** into the ATS3080 **5** to point of first engagement.
- ☑ The LED in the display goes out.
- ☑ The closure reel **3** locks firmly into place.
- ▶ Close cover **9** of ATS3080 **5**.

5.1.9 Inserting the strap reel



- ▶ Push in sleeve **9** of articulated shaft **8** and tilt bearing **7** inward.
- ▶ Push brake block **1** up.

- ▶ Insert strap reel **2** onto reel mount **3**. Note the coiling position in this process.
- ☑ Strap reel **2** uncoils anti-clockwise.
- ☑ The collar of reel brake **7** holds strap reel **2** on the Bench mount kit automatic 3080.
- ▶ Insert brake block **1** onto strap reel **2**.

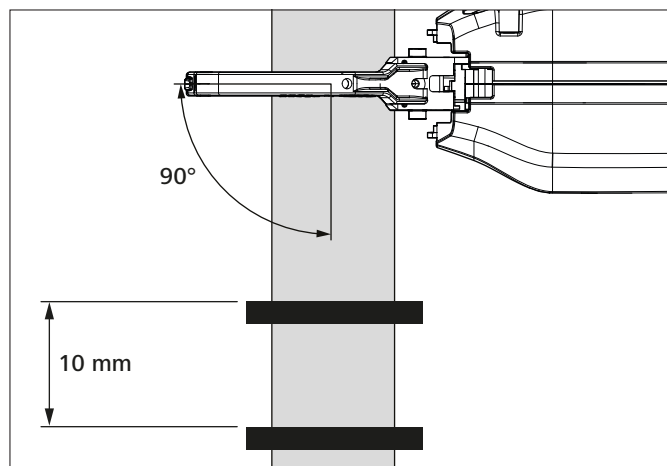


- ▶ Feed the strap **4** round deflection rollers **10b** and **10a** to ATS3080 **6**.
- i** The digits (1 and 2) on the deflection rollers indicate the sequence for guidance of the strap, → label on the reel mount.
- ▶ Make sure that strap **4** is not twisted.
- ▶ With the teeth facing up, introduce the end of strap **4** into the opening of the ATS3080 **6**.
- ▶ Close latch **5** on the ATS3080 **6**.
- ☑ The red LED in the display goes out.

5.2 Positioning

5.2.1 Positioning the material for bundling

- ▶ Make sure that the material for bundle is always in the same position.
- ▶ Bundle the material neatly. Make sure there are no projecting cable-tie ends.
- ▶ Make sure that the upper and lower jaws of the ATS3080 are not obstructed.

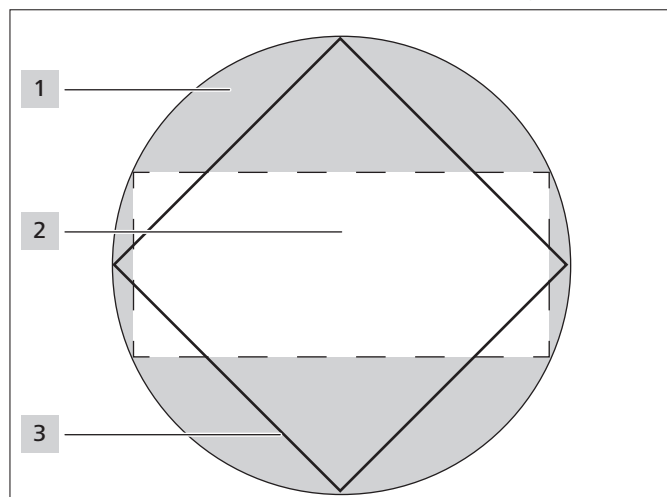


- ▶ Guide the ATS3080 past the material to be bundled at an angle of 90° to ensure that each binding is secure without projecting cable-tie ends.
- ▶ Make sure that the straps are set with a minimum distance of 10 mm.

NOTE

For correct binding, the ATS3080 always has to be centred relative to the material to be bundled.

5.2.2 Geometries of materials for bundling



1	Diameter	max. 80 mm
2	Rectangle sizes	max. 34 mm x 72 mm
3	Square sizes	max. 56 mm x 56 mm

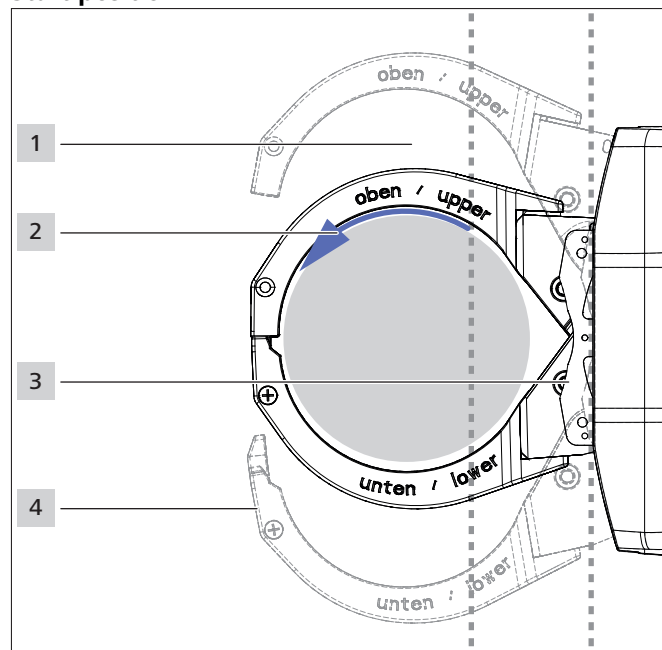
5.3 Check of finished bindings

- i** The HellermannTyton components cannot perform a check of the finished bindings. An external monitoring system (e.g. camera monitoring) is required for such checks.

5.4 Sequence of movements in normal operation

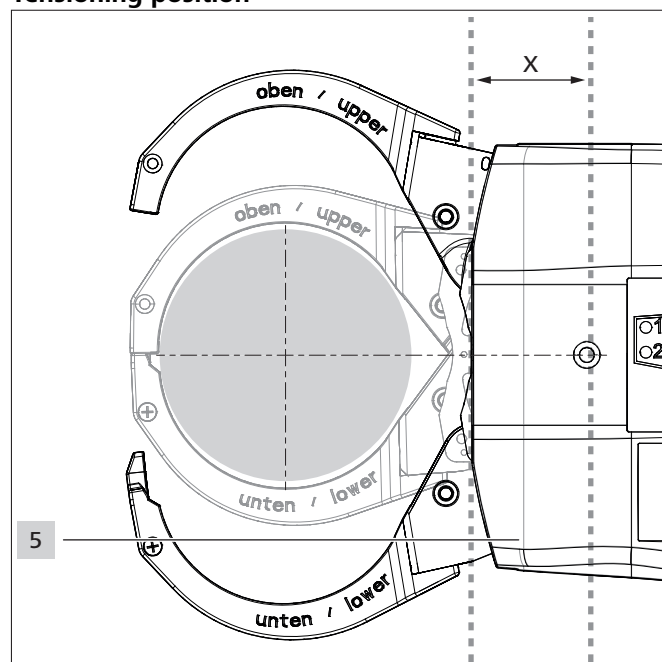
- i** The sequence of movements as shown here is with Ø50 mm jaws and a round object.

Start position



- Step 1:** Jaws **1** close.
- Step 2:** The strap forms a loop **2** round the material.
- Step 3:** The ATS3080 switches to reverse.
- Step 4:** Deflector **3** moves back, jaws open **4**.

Tensioning position



- Step 5:** The strap is tensioned round the material.

- Step 6:** The strap is cut off when the pre-set binding strength is reached.
- Step 7:** The deflector advances.
- Step 8:** The ATS3080 5 returns to the start position.

5.4.1 Point-to-point path

i Differences in the diameter of the material to be bundled require the wiring harness to be movable, to ensure a secure binding.

Jaws Ø30 mm and limiting block	15 mm (5 mm without pressure)
Jaws Ø50 mm and limiting block	15 mm (5 mm without pressure)
Jaws Ø80 mm and limiting block	22 mm (5 mm without pressure)

5.4.2 Additional cylinder (optional)

If the ATS3080 is outside the bundle, a second cylinder is required (not included in the HellermannTyton scope of supply).

This cylinder has to perform the stroke from outside the bundles to the start position and then trigger the corresponding start signal for 0.5 seconds.

6 Control unit

The customer-supplied control unit accepts and processes sensor signals from the Bench mount kit automatic 3080.

6.1 Precondition

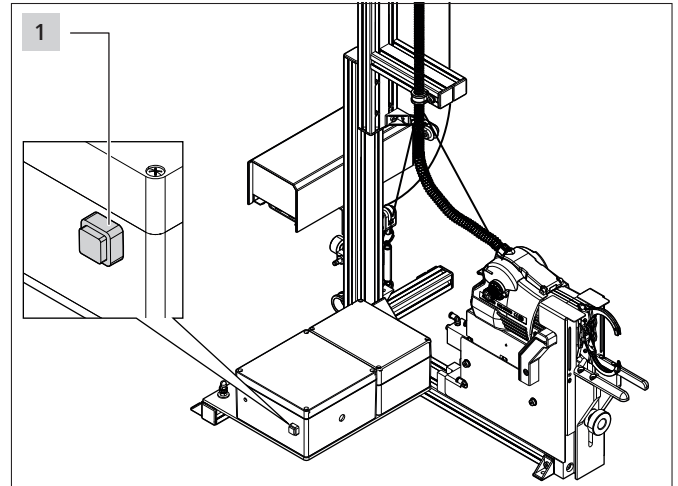
The Bench mount kit automatic 3080 is in the start position, all sensors are correctly actuated.

- S-position: not actuated
- S-trigger: actuated
- S-pusher: not actuated
- S-jaw open: actuated
- S-ejector: actuated

6.2 Error messages

- **Signal Error:** One of the sensors is not correctly actuated or jaws are blocked.
- **Signal Error Jaw:** Jaws remain closed. If this error occurs, the ATS3080 will not retract – the cause of the error message has to be eliminated beforehand.

6.3 Rectifying error



- ▶ Eliminate the cause of the error.
- ▶ Reset the ATS3080, → *Operating Instructions for the ATS3080*
- ▶ Press the "Reset" button 1 on the Bench mount kit automatic 3080.

7 Maintenance

7.1 Important notes

Regular maintenance is essential to ensure that the ATS3080 remains in safe working order (see the maintenance schedule in the operating instructions for the ATS3080).

CAUTION

Crush hazard when jaws close

- ▶ Do not insert fingers between upper and lower jaws.
- ▶ Always keep the Power pack 3080 switched off while performing maintenance work.
- ▶ Depressurise the compressed-air system and secure against unintentional restart.

7.2 Spare parts

Spare parts and accessories can be ordered directly from your national HellermannTyton representative

→ website www.HellermannTyton.de.

7.3 General maintenance activities

i The maintenance activities for the ATS3080 and the Power pack 3080 are described in the operating instructions for the ATS3080 (see the "Maintenance" section in the operating instructions for the ATS3080).

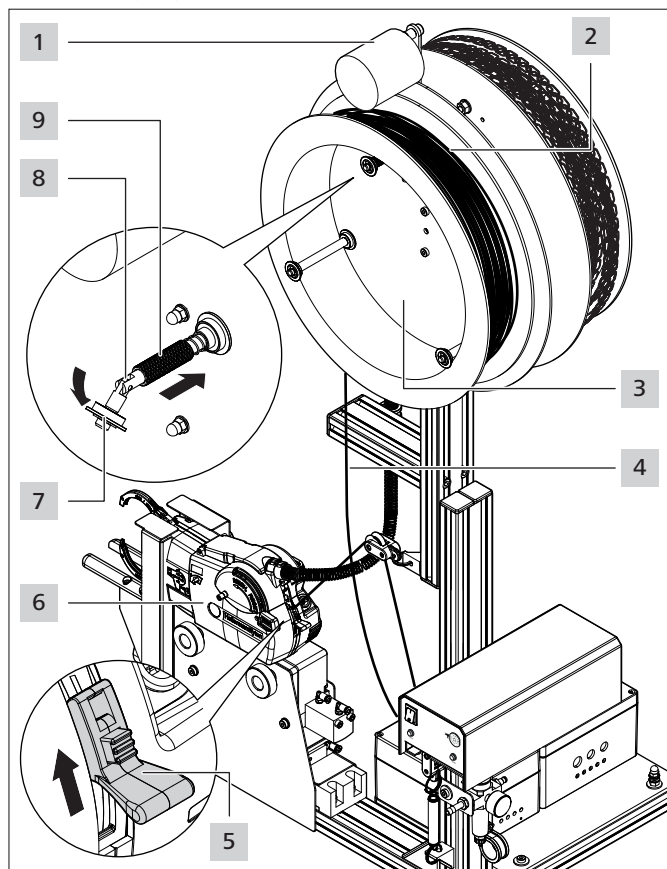
- ▶ Check the ATS3080 and the accessories regularly for proper function.
- ▶ Check the compressed-air lines for leaks (see the operating instruction for the compressed-air equipment).

i The compressed-air equipment is not included in the scope of supply.

- ▶ Replace faulty compressed-air lines immediately.
- ▶ Check electrical wiring for damage.

- ▶ Replace faulty wires immediately.

7.4 Changing the strap reel



- ▶ Push brake block **1** up.
- ▶ Push in sleeve **9** of articulated shaft **8** and tilt bearing **7** inward.
- ▶ Remove the empty strap reel and dispose of it in accordance with local regulations.

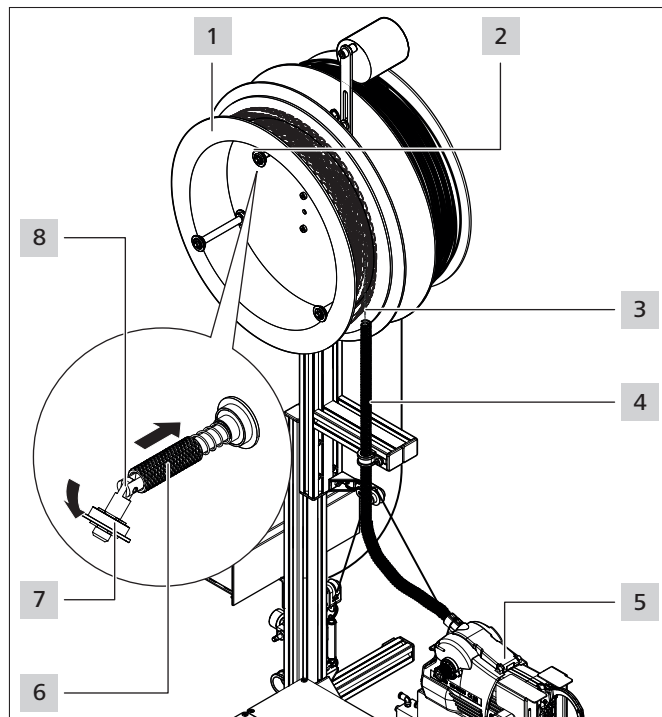
i Empty reels are not taken back by the manufacturer.

- ▶ Insert full strap reel **2** onto reel mount **3**. Note the coiling position in this process.
- ☑ Strap reel **2** uncoils anti-clockwise.
- ☑ The collar of reel brake **7** holds strap reel **2** on the Bench mount kit automatic 3080.
- ▶ Insert brake block **1** onto strap reel **2**.
- ▶ Feed strap **4** around the deflection rollers to the ATS3080 **6**, → "Inserting the strap reel" on page 11.

i The digits (1 and 2) on the deflection rollers indicate the sequence for guidance of the strap, → label on the reel mount.

- ▶ Make sure that strap **4** is not twisted.
- ▶ With the teeth facing up, introduce the end of strap **4** into the opening of the ATS3080.
- ▶ Close latch **5** on the ATS3080.
- ☑ The red LED in the display goes out.

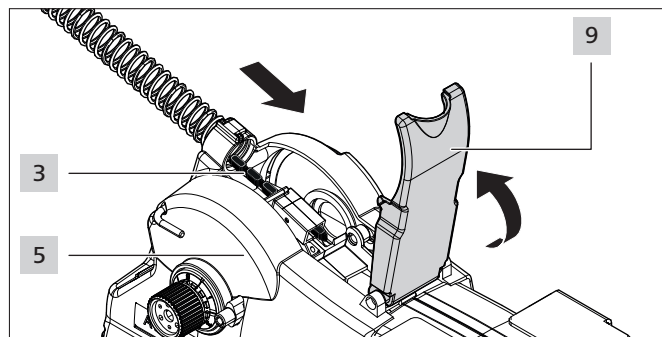
7.5 Changing the closure reel



- ▶ Push in sleeve **6** of articulated shaft **8** and tilt bearing **7** inward.
- ▶ Remove the empty closure reel and dispose of it in accordance with local regulations.

i Empty reels are not taken back by the manufacturer.

- ▶ Insert full closure reel **1** onto reel mount **2**. Note the coiling position in this process.
- ☑ Closure reel **1** uncoils clockwise.
- ☑ The collar of reel brake **7** holds closure reel **1** on the Bench mount kit automatic 3080.
- ▶ Introduce closure chain **3** with the number facing up into closure chain guide **4**.
- ▶ Feed closure chain **3** through closure chain guide **4** to ATS3080 **5**.
- ▶ Make sure that the closure chain **3** is not twisted.



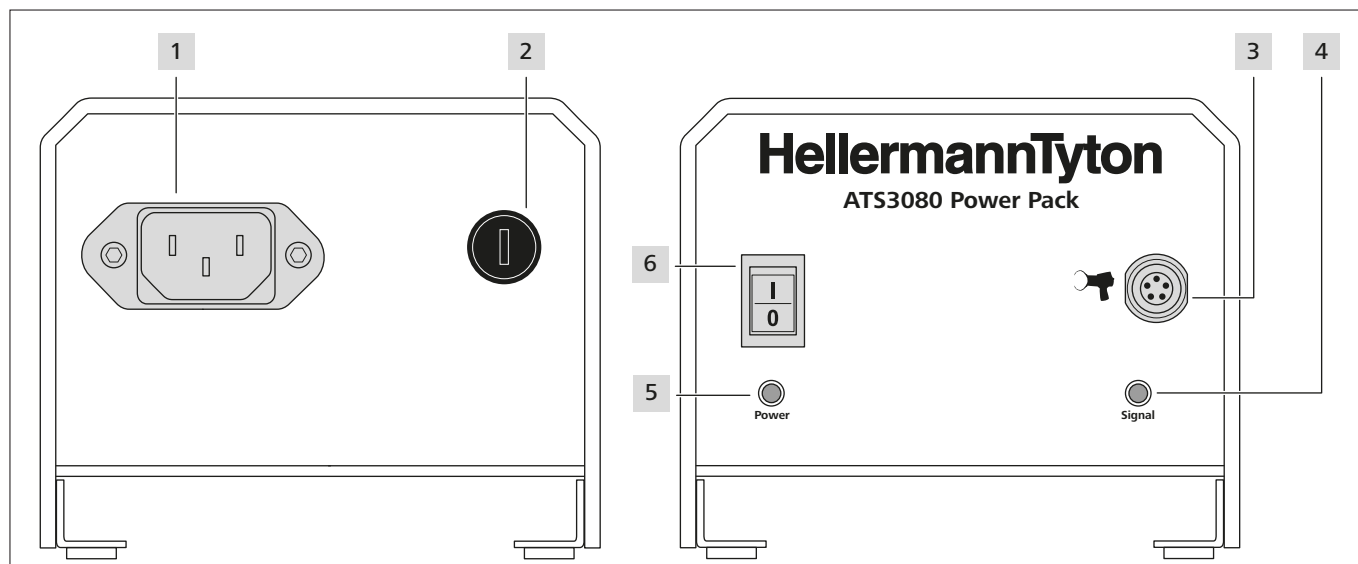
- ▶ Open cover **9** of ATS3080 **5**.
- ▶ Insert closure chain **3** into the ATS3080 **5** to the point of first engagement.
- ☑ The closure reel **3** locks firmly into place.
- ☑ The LED in the display goes out.

► Close cover 9 of ATS3080 5.

8 Technical data

i Unless otherwise indicated, all sizes are rounded off and stated in millimetres.
 HellermannTyton offers special CAD models for planning integration into automatic systems.

8.1 Interface overview, Power pack 3080

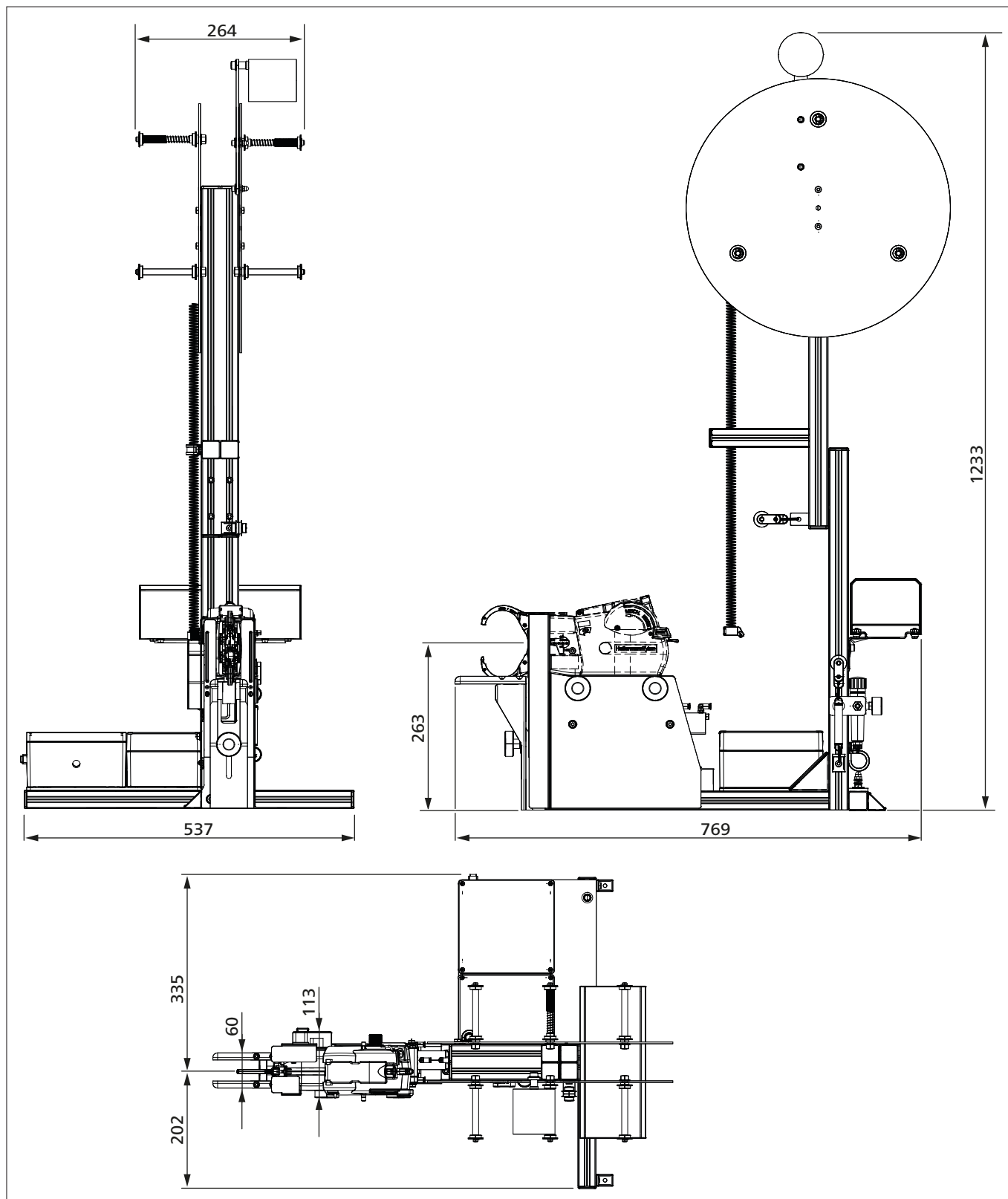


- 1 Socket for power cable
- 2 Fuse
- 3 Socket for connection to ATS3080
- 4 **Signal LED**
- Green:** Operating voltage applied
- 5 LED indicator **Power**
- Green:** Power pack 3080 switched on
- 6 Main switch

8.2 Bench mount kit automatic 3080

GB

DE

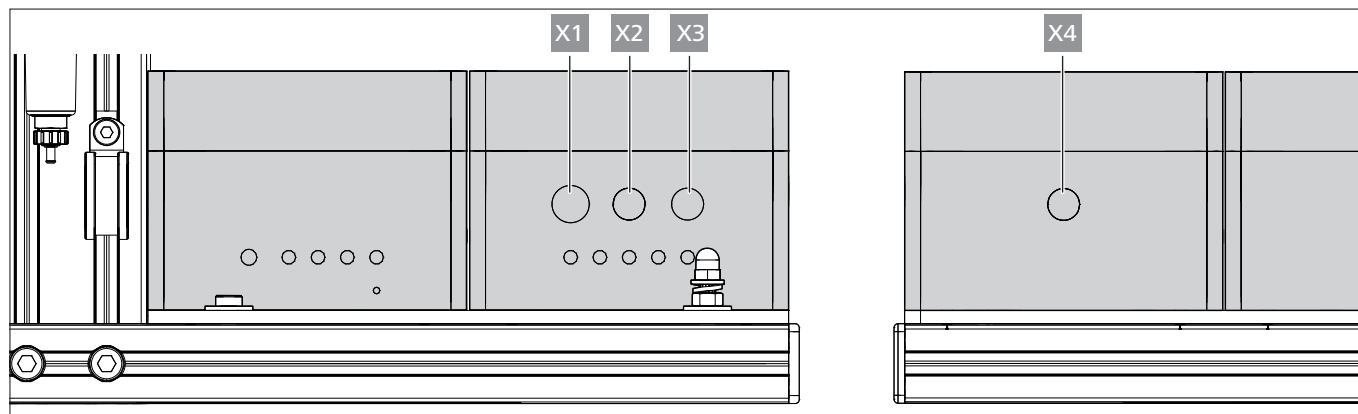


Weight with ATS3080, Power pack 3080 and reels (full)	approx. 25.0 kg
Weight (empty)	approx. 17.0 kg

8.3 Control boxes

Voltage supply	24 V $\overline{=}$, max. 500 mA
Compressed air supply	5–7 bar, oil-free
Compressed air consumption rate	with stroke, dia. 80 jaws approx. 0.4 m ³ /h at 5 bar inlet pressure, 1500 cycles/h

8.3.1 Interface overview, control boxes



X1	Control unit, customer-supplied
X2	Control unit, customer-supplied
X3	Control unit, customer-supplied
X4	Blanking plug

i See circuit diagram for pinouts.

8.3.2 Connector pinouts, control boxes

Socket X1

PIN 1 = start signal PIN 2 = +24 V $\overline{=}$		
--	--	--

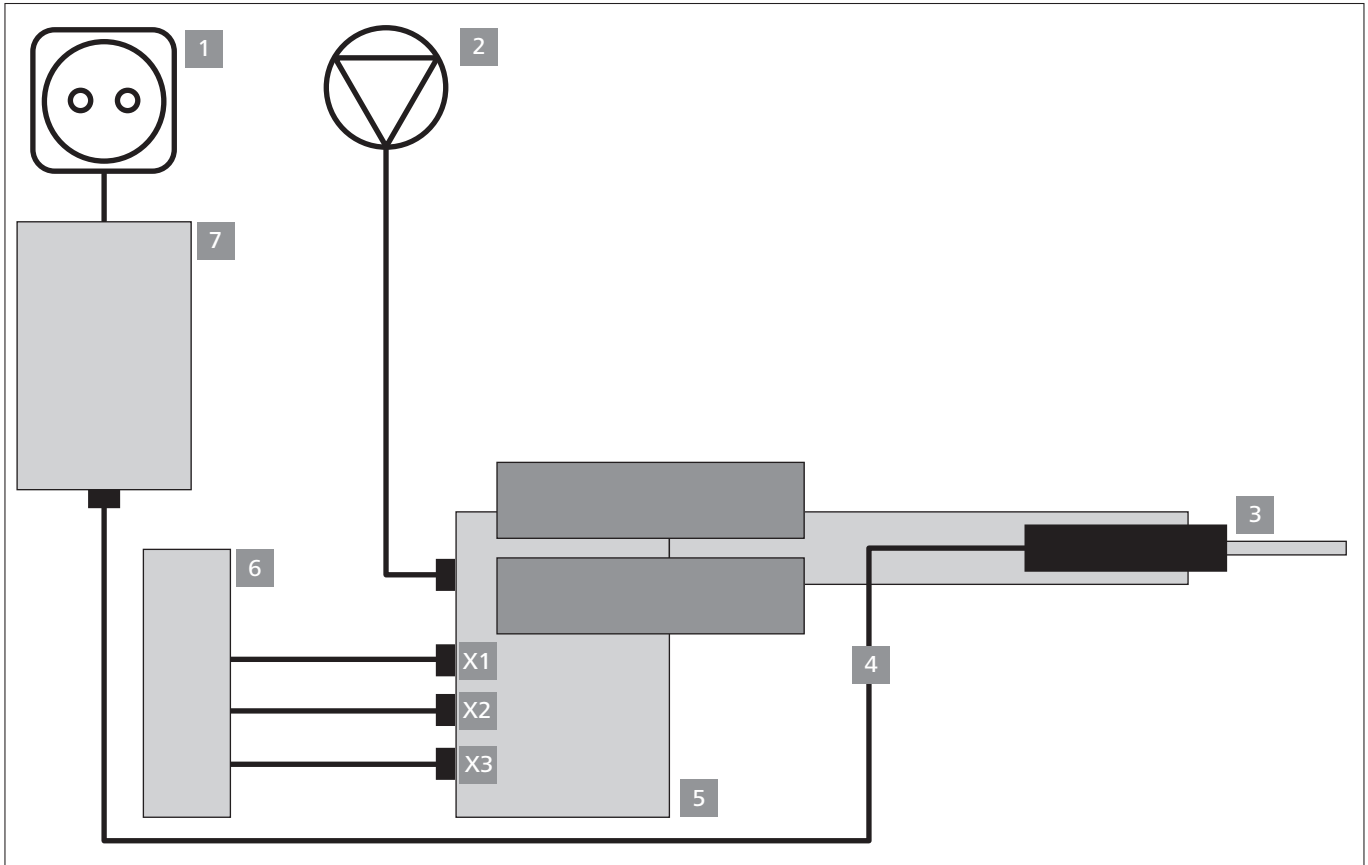
Socket X2

PIN 1 = 0V PIN 3 = +24 V $\overline{=}$		Power supply Bench mount kit automatic 3080
--	--	---

Socket X3

PIN 1 = \oplus PIN 2 = 0 V PIN 3 = Error signal PIN 4 = Error jaw PIN 5 = OK signal		
---	--	--

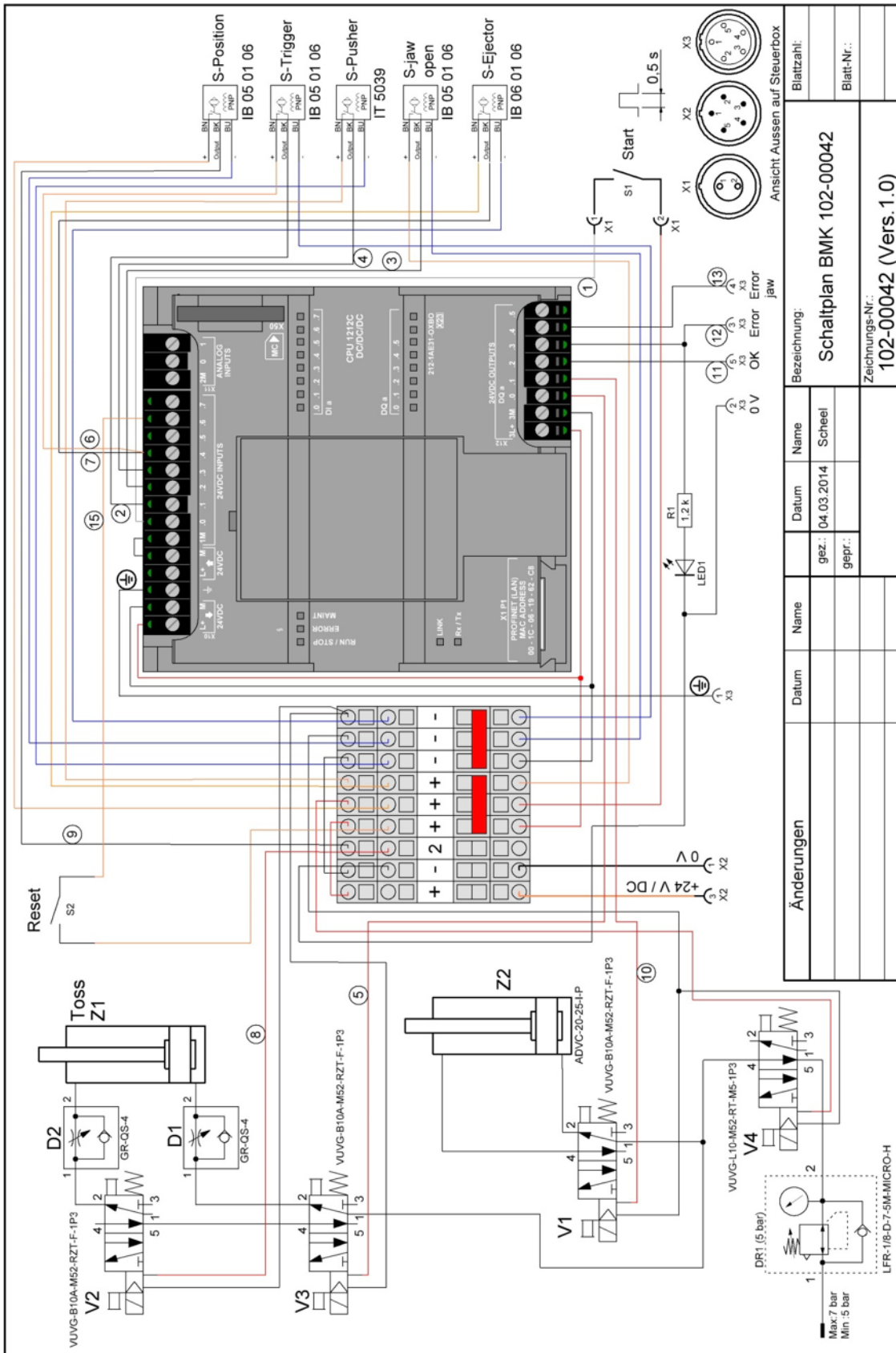
8.4 Connection plan



- 1 Power supply, Power pack 3080
- 2 Compressed air connector
- 3 ATS3080
- 4 Connecting cable
- 5 Control boxes
- 6 Control unit, customer-supplied
- 7 Power pack 3080

i Connector pinouts, X1 to X3, → "Interface overview, control boxes" on page 17

8.5 Circuit diagram



Änderungen		Bezeichnung:	
Datum	Name	Datum	Name
		04.03.2014	Scheel
gez.:		gepr.:	
		Schaltplan BMK 102-00042	
		Blattzahl:	
		Blatt-Nr.:	
		Zeichnungs-Nr.:	
		102-00042 (Vers. 1.0)	

9 Declaration of conformity



GB

DE

EC Declaration of Conformity

**BENCH MOUNT KIT AUTOMATIC FOR AUTOTOOL SYSTEM 3080
102-00042**

Manufacturer:	HellermannTyton GmbH
Street:	Großer Moorweg 45
Postal Code / City:	25436 Tornesch
Country:	Germany
Telefon:	+49 4122/701-1
Fax:	+49 4122/701-400

We herewith declare, that the design and construction of the product:

Name: Bench mount kit automatic for Autotool System 3080

Product Type: Bench mount kit

Machine Type: Bench mount kit automatic for bundle tool Autotool System 3080 (102-00000) and the associated power supply unit (102-00100)

Serial Number: _____

meets the elementary safety and health requirements of the EC rules:

- Machinery Directive 2006/42/EC
- Low Voltage Directive 2014/35/EU

The following harmonized standards have been applied accordingly:

- EN 60745-1:2010

Tornesch, 28.04.2017

HellermannTyton GmbH

i. V.

i. V.



Martin Burmeister
Safety Engineer



Olaf Wulff
Leader Development Application Systems

This confirmation corresponds to a manufacturer declaration in terms of the EC machine rule 2006/42/EG, annex II A. Any alterations of the described product makes this declaration invalid.

Inhaltsverzeichnis

1	Benutzerhinweise	22		
1.1	Angaben zur Anleitung	22		
1.2	Angaben zum Produkt	22		
1.3	Gewährleistung	22		
1.4	Kontaktdaten	22		
1.5	Urheber- und Schutzrechte	22		
1.6	Aufbewahrung und Weitergabe der Anleitung	22		
1.7	Zielgruppe der Anleitung	22		
1.8	Allgemeine Angaben	22		
1.9	Konventionen für diese Anleitung	22		
1.9.1	Klassifizierung der Warnhinweise	22		
1.9.2	Sonstige Hinweise zur Textdarstellung	22		
2	Sicherheitshinweise	23		
2.1	Allgemeine Sicherheitshinweise für Elektrowerkzeuge	23		
2.2	Bestimmungsgemäße Verwendung	23		
2.3	Bestimmungswidrige Verwendung	23		
2.4	Qualifikation des Personals	23		
2.4.1	Fachpersonal für Bedienung	23		
2.4.2	Fachpersonal für Instandhaltung und Wartung	23		
2.4.3	Ausgebildete Elektrofachkraft	23		
2.4.4	Autorisierte Sachkundige für Reparatur und Prüfung	23		
2.5	Grundsätzliche Gefahren beim Umgang mit dem ATS3080 oder der Montagevorrichtung automatisch 3080	23		
2.5.1	Elektrizität und Druckluft	23		
2.5.2	Sauberkeit am Arbeitsplatz	24		
2.5.3	Ersatzteile und Zubehör	24		
3	Funktionsbeschreibung	24		
3.1	ATS3080	24		
3.2	Netzgerät 3080	24		
3.3	Montagevorrichtung automatisch 3080	25		
4	Transport, Lieferumfang, Zubehör und Lagerung	25		
4.1	Transport	25		
4.2	Lieferumfang	25		
4.3	Zubehör	25		
4.4	Entsorgung	25		
4.5	Lagerung	26		
4.5.1	ATS3080 und Netzgerät 3080	26		
4.5.2	Verschlussband und Verschlussköpfe	26		
5	Montage	26		
5.1	Montagevorrichtung automatisch 3080 montieren	26		
5.1.1	Montagevorrichtung automatisch 3080 aufstellen	26		
5.1.2	ATS3080 einsetzen	27		
5.1.3	Verfahrweg einstellen	27		
5.1.4	Netzgerät 3080 einsetzen	27		
5.1.5	Dorne einstellen	28		
5.1.6	ATS3080 und Montagevorrichtung automatisch 3080 anschließen	28		
5.1.7	Verschlusskopfketteneinführung BMK einsetzen	28		
5.1.8	Verschlusskopfspule einsetzen	28		
5.1.9	Verschlussbandspule einsetzen	29		
5.2	Positionierung	30		
5.2.1	Bündelgut positionieren	30		
5.2.2	Bündelgutgeometrien	30		
5.3	Kontrolle gesetzter Abbindungen	30		
5.4	Bewegungsablauf im Normalbetrieb	30		
5.4.1	Verfahrweg	31		
5.4.2	Zusätzlicher Zylinder (optional)	31		
6	Steuerung	31		
6.1	Voraussetzung	31		
6.2	Störungsmeldungen	31		
6.3	Störung aufheben	31		
7	Wartung	31		
7.1	Wichtige Hinweise	31		
7.2	Ersatzteile	31		
7.3	Allgemeine Wartungsmaßnahmen	31		
7.4	Verschlussbandspule austauschen	32		
7.5	Verschlusskopfspule austauschen	32		
8	Technische Daten	33		
8.1	Schnittstellenübersicht Netzgerät 3080	33		
8.2	Montagevorrichtung automatisch 3080	34		
8.3	Steuerboxen	35		
8.3.1	Schnittstellenübersicht Steuerboxen	35		
8.3.2	Steckerbelegung Steuerboxen	35		
8.4	Anschlussplan	36		
8.5	Schaltplan	37		
9	Konformitätserklärung	38		

1 Benutzerhinweise

Diese Anleitung ist eine wesentliche Hilfe für den ordnungsgemäßen Betrieb der Montagevorrichtung automatisch 3080. Sie enthält wichtige Informationen und Sicherheitshinweise, um die Montagevorrichtung automatisch 3080 sachgerecht aufzustellen, sowie bestimmungsgemäß und wirtschaftlich zu betreiben.

1.1 Angaben zur Anleitung

Diese Anleitung darf nur zusammen mit der Betriebsanleitung des ATS3080 verwendet werden.

Letzte Änderung: 22.03.2018

1.2 Angaben zum Produkt

Produktbezeichnung: Montagevorrichtung automatisch 3080

Artikelnummer: 102-00042

1.3 Gewährleistung

Die Gewährleistung entspricht den gesetzlichen Bestimmungen. Der Gewährleistungsanspruch gilt nur für das Land, in dem das Produkt erworben wurde. Batterien, Sicherungen und Leuchtmittel sind von der Gewährleistung ausgeschlossen.

1.4 Kontaktdaten

Hersteller des in vorliegender Anleitung beschriebenen Produkts ist:

HellermannTyton GmbH

Großer Moorweg 45

D-25436 Tornesch

Tel. +49 4122 701-0

www.HellermannTyton.de

info@HellermannTyton.de

1.5 Urheber- und Schutzrechte

Das Urheberrecht dieser Anleitung verbleibt beim Hersteller. Kein Teil dieser Anleitung darf in irgendeiner Form ohne die schriftliche Genehmigung der HellermannTyton GmbH (nachfolgend HellermannTyton genannt) reproduziert oder unter Verwendung elektronischer Systeme verarbeitet, vervielfältigt oder verbreitet werden.

Handlungen, die den o.g. Angaben widersprechen, verpflichten zu Schadenersatz.

1.6 Aufbewahrung und Weitergabe der Anleitung

Diese Anleitung muss in unmittelbarer Nähe des Arbeitsplatzes aufbewahrt werden und dem gesamten Personal jederzeit zur Verfügung stehen. Der Betreiber muss das Personal über den Aufbewahrungsort dieser Anleitung informieren. Wenn die Anleitung nicht mehr gut lesbar ist, muss der Betreiber beim Hersteller Ersatz beschaffen.

Bei Übergabe oder Weiterverkauf der Montagevorrichtung automatisch 3080 an Dritte müssen folgende Dokumente an den neuen Besitzer weitergegeben werden:

- diese Anleitung
- Unterlagen über Reparaturarbeiten
- Nachweise über Wartungsarbeiten

1.7 Zielgruppe der Anleitung

Die Anleitung muss von jeder Person gelesen und beachtet werden, die mit einer der folgenden Arbeiten betraut ist:

- Montage
- Betrieb
- Wartung
- Reparatur
- Störungsbeseitigung

1.8 Allgemeine Angaben

Alle beigefügten Zeichnungen unterliegen nicht dem Änderungsdienst.

1.9 Konventionen für diese Anleitung

1.9.1 Klassifizierung der Warnhinweise

Warnhinweise in der Anleitung warnen vor Gefahren im Umgang mit dem Gerät und geben Hinweise zu deren Vermeidung.

Jede Nichtbeachtung kann Unfälle mit tödlichem Ausgang, Verletzungen oder Sachschäden zur Folge haben.

Die Warnhinweise sind nach der Schwere der Gefahr klassifiziert und in drei Gruppen unterteilt:

GEFAHR

Texte mit dem Signalwort „GEFAHR“ weisen auf gefährliche Situationen hin, die bei Nichtbeachtung den Tod oder schwere Verletzungen verursachen werden.

WARNUNG

Texte mit dem Signalwort „WARNUNG“ weisen auf gefährliche Situationen hin, die bei Nichtbeachtung schwere Verletzungen verursachen können.

VORSICHT

Texte mit dem Signalwort „VORSICHT“ weisen auf gefährliche Situationen hin, die bei Nichtbeachtung leichte Verletzungen verursachen können.

1.9.2 Sonstige Hinweise zur Textdarstellung

- ▶ Kennzeichnung für eine Anweisung
- Kennzeichnung für eine Aufzählung
- Handlungsergebnis

Text, der → *auf diese Weise hervorgehoben ist*, kennzeichnet Querverweise.

HINWEIS

Texte mit dem Signalwort „HINWEIS“ weisen auf Situationen hin, die bei Nichtbeachtung Schäden am ATS3080 oder an der Montagevorrichtung automatisch 3080 verursachen können.



Texte mit diesem Symbol enthalten Hinweise zum Umweltschutz.



Texte mit diesem Symbol enthalten zusätzliche Informationen.

2 Sicherheitshinweise

2.1 Allgemeine Sicherheitshinweise für Elektrowerkzeuge



Die Sicherheitshinweise in der Betriebsanleitung des ATS3080 gelten auch für den Betrieb des ATS3080 nach der Montage einer Automatisierung.

**WARNUNG**

Nichtbeachtung der folgenden Sicherheitshinweise kann zu schweren Verletzungen, Brand und Stromschlag führen.

- ▶ Befolgen Sie die folgenden Anweisungen und Warnungen.
- ▶ Halten Sie die Betriebsanleitung des ATS3080 griffbereit.

2.2 Bestimmungsgemäße Verwendung

Die Montagevorrichtung automatisch 3080 nur in einwandfreiem und sicherem Zustand, sicherheitsbewusst und gefahrenbewusst betreiben.

Die Montagevorrichtung automatisch 3080 ist mit integriertem ATS3080 für folgende Einsätze geeignet und bestimmt:

- Automatisches Abbinden am Bündelgut bis max. 80 mm Durchmesser
- Gebrauch ausschließlich für den Innenbereich
- Industrieller Gebrauch
- Beim Einsatz in Automatisierungsanlagen darf die Montagevorrichtung automatisch 3080 ausschließlich aufrecht stehend verwendet werden.

2.3 Bestimmungswidrige Verwendung

Jegliche Benutzung, die nicht im Abschnitt „Bestimmungsgemäße Verwendung“ genannt ist, gilt als bestimmungswidrig. Für hieraus resultierende Schäden haftet allein der Betreiber der Montagevorrichtung automatisch 3080.

Darüber hinaus gelten die Sicherheitsbestimmungen des ATS3080 (siehe Betriebsanleitung des ATS3080).

Insbesondere folgende Nutzung ist nicht zulässig:

- Nutzung mit defekten Teilen
- Nutzung in explosions- oder feuergefährlicher Umgebung
- Nutzung im Außenbereich
- Nutzung bei hoher Feuchtigkeit und/oder direkter Sonneneinstrahlung
- Manuelle Eingriffe während der laufenden Prozesse

- Eigenmächtige Veränderungen und Modifikationen an der Montagevorrichtung automatisch 3080 und deren Bestandteilen ohne Zustimmung von HellermannTyton
- Einsatz von Ersatzteilen und Zubehör, welche nicht von HellermannTyton geprüft und freigegeben wurden

2.4 Qualifikation des Personals

Minderjährige oder Personen in der Ausbildung dürfen die Arbeiten nur unter Aufsicht einer erfahrenen Fachkraft und nach ausdrücklicher Erlaubnis des Betreibers durchführen.

2.4.1 Fachpersonal für Bedienung

Dem Fachpersonal für erweiterten Betrieb werden folgende Befugnisse und Aufgaben zugewiesen:

- Bedienung des ATS3080 und der Montagevorrichtung automatisch 3080
- Beseitigung von Störungen bzw. Einleiten von Maßnahmen zur Beseitigung von Störungen
- Reinigung des ATS3080 und der Montagevorrichtung automatisch 3080

Dieses Personal bietet aufgrund seiner fachlichen Ausbildung oder praktischen Erfahrung die Gewährleistung für eine sachgerechte Handhabung.

2.4.2 Fachpersonal für Instandhaltung und Wartung

Instandhaltung und Wartung nur durch qualifiziertes Fachpersonal durchführen lassen. Dieses Personal hat aufgrund seiner fachlichen Ausbildung ausreichende Kenntnisse über das ATS3080 oder die Montagevorrichtung automatisch 3080 und kann einen arbeitssicheren Zustand beurteilen.

Des Weiteren ist das Personal mit folgenden Regeln und Vorschriften vertraut:

- Einschlägige staatliche Arbeitsschutzvorschriften
- Unfallverhütungsvorschriften
- Allgemein anerkannte Regeln der Technik, Bestimmungen und Normen

2.4.3 Ausgebildete Elektrofachkraft

Arbeiten an der elektrischen Versorgung und an stromführenden Bauteilen nur durch eine ausgebildete Elektrofachkraft durchführen lassen.

2.4.4 Autorisierte Sachkundige für Reparatur und Prüfung

Reparaturen und sicherheitstechnische Überprüfungen dürfen nur durch einen Servicetechniker von HellermannTyton oder einem von HellermannTyton autorisierten Servicetechniker durchgeführt werden.

2.5 Grundsätzliche Gefahren beim Umgang mit dem ATS3080 oder der Montagevorrichtung automatisch 3080

2.5.1 Elektrizität und Druckluft

- ▶ Beim Arbeiten stets eine Schutzbrille und geeignete Schutzausrüstung tragen.

- ▶ Vor Montagearbeiten, Reinigung und Wartung das ATS3080, das Netzgerät 3080 und die Montagevorrichtung automatisch 3080 drucklos und spannungsfrei schalten.

2.5.2 Sauberkeit am Arbeitsplatz

Ordnung, gute Beleuchtung und Sauberkeit am Arbeitsplatz erleichtern das Arbeiten, minimieren die Gefahren und das Verletzungsrisiko.

Folgende Grundsätze zur Ordnung und Sauberkeit am Arbeitsplatz einhalten:

- ▶ Nicht mehr benötigtes Werkzeug wegräumen.
- ▶ Stolperstellen vermeiden (z.B. Abfälle sofort in dafür vorgesehene Behälter werfen).
- ▶ Verunreinigungen durch Fette, Öle und andere Flüssigkeiten sofort beseitigen.
- ▶ Verunreinigungen auf dem Anzeigefeld des ATS3080 vermeiden.

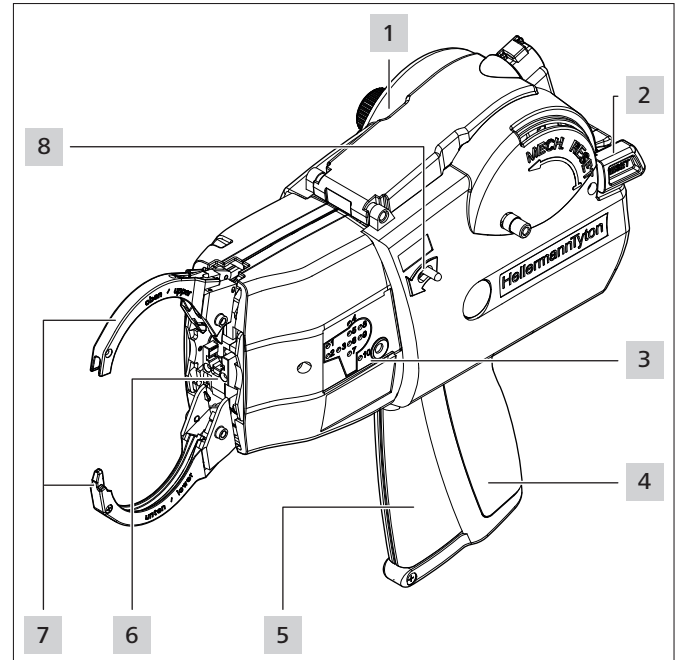
2.5.3 Ersatzteile und Zubehör

- Es dürfen nur Original-Ersatzteile verwendet werden.
- Wenn Teile ersetzt werden, deren Funktion anschließend überprüfen.
- Ausschließlich Zubehör verwenden, das von HellermannTyton freigegeben ist. Der Einsatz von Zubehör kann die Arbeit mit dem ATS3080 oder der Montagevorrichtung automatisch 3080 verändern.

3 Funktionsbeschreibung

i ATS3080 und Netzgerät 3080 sind nicht Bestandteil des Lieferumfangs. Zur Beschreibung des ATS3080 und des Netzgeräts 3080, siehe Betriebsanleitung des ATS3080.

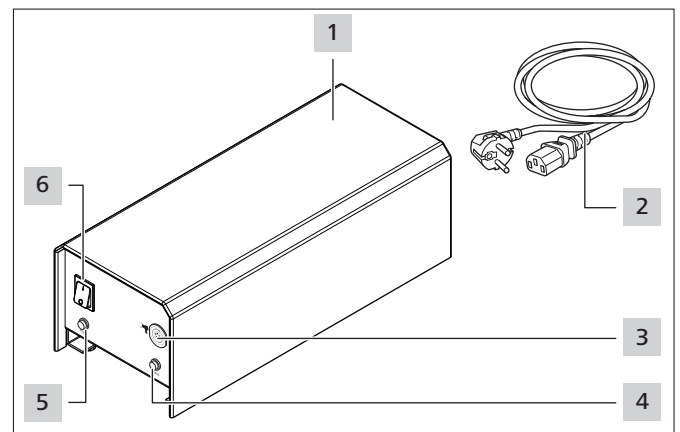
3.1 ATS3080



- 1 ATS3080
- 2 Reset-Hebel
- 3 Anzeigefeld (Display)
- 4 Handgriff
- 5 Auslösehebel
- 6 Stirnkappe mit Kopfsensor
- 7 Ober- und Unterzange
- 8 Zangenöffnungshebel

Das ATS3080 **1** umschlaucht das eingelegte Verschlussband um das angelegte Bündelgut, spannt es und schneidet es ab. Das Abbinden ist abfallfrei.

3.2 Netzgerät 3080

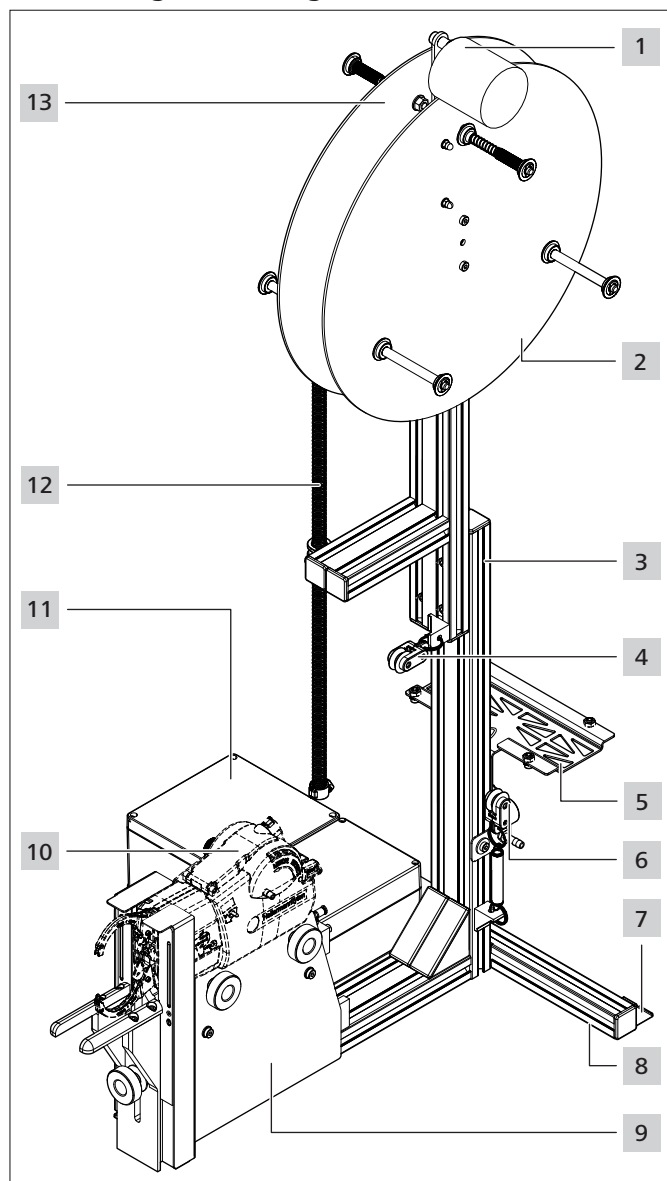


- 1 Gehäuse
- 2 Netzkabel (Anschluss und Sicherung auf der Gehäuserückseite)
- 3 Anschluss für Verbindung mit ATS3080
- 4 LED-Signalleuchte Betriebsspannung
- 5 LED-Signalleuchte, Netzgerät 3080 eingeschaltet
- 6 Hauptschalter

Das Netzgerät 3080 versorgt das ATS3080 mit Strom.

Zu den Schnittstellen auf beiden Seiten des Gehäuses,
 → „Schnittstellenübersicht Netzgerät 3080“ auf
 Seite 33

3.3 Montagevorrichtung automatisch 3080



- | | |
|---------------------------------|-------------------------------------|
| 1 Bremsklotz | 8 Fuß |
| 2 Halterung Verschlussbandspule | 9 Werkzeugaufnahme |
| 3 Säule | 10 ATS3080 |
| 4 Umlenkung Verschlussband | 11 Steuerboxen |
| 5 Halterung Netzteil | 12 Verschlusskopfketteneführung BMK |
| 6 Umlenkung Verschlussband | 13 Halterung Verschlusskopfspule |
| 7 Befestigungswinkel | |

Die Montagevorrichtung automatisch 3080 ermöglicht eine Fixierung des ATS3080 in aufrechter Position. Die Montagevorrichtung automatisch 3080 ist über Befestigungswinkel **7** mit dem Untergrund verschraubt. Dadurch kann das Bündelgut horizontal am ATS3080 **10** vorbeigeführt werden. Die kundenseitige Steuerung löst den automatischen Abbindevorgang aus, → „Steuerung“ auf Seite 31.

4 Transport, Lieferumfang, Zubehör und Lagerung

4.1 Transport

Für den Transport der Montagevorrichtung automatisch 3080 den mitgelieferten Karton verwenden. Die Komponenten der Montagevorrichtung automatisch 3080 sind für den Transport verpackt.

HINWEIS

Unverpackte Komponenten können beim Transport beschädigt werden.

- ▶ Alle Komponenten erst vor der Montage auspacken.

4.2 Lieferumfang

Name	Artikelnummer
Montageanleitung	102-01012
Netzgerät 3080 24 V	102-00142
Tastauslöser	123-90055
Rolle für Verschlussbandumlenkung (2x)	102-73026
Feder für Verschlussbandumlenkung	102-74006
Dornenset, 2-teilig	102-74003
Fußpedalkabel 2m [X1]*	123-90061
Anschlussstecker SPS mit Kabel 2m [X2]*	102-00214
Anschlussstecker SPS mit Kabel 2m [X3]*	102-00215
Verschlusskopfketteneführung BMK 3080	102-00325

*) X1 ... X3: → „Anschlussplan“ auf Seite 36

4.3 Zubehör

Name	Artikelnummer
Tischplatte	102-74005

4.4 Entsorgung

Der Betreiber ist verpflichtet, das gelieferte ATS3080 und die Komponenten einschließlich des Zubehörs nach Beendigung der Nutzung ordnungsgemäß entsprechend den örtlichen Vorschriften zu entsorgen. Die Entsorgung des ATS3080, einzelner Komponenten sowie der Betriebs- und Hilfsstoffe unterliegt zum Teil gesetzlichen Regelungen.

Genauere Informationen geben die zuständigen örtlichen Behörden.

- ▶ Verpackung entsprechend den geltenden Entsorgungs- und Umweltvorschriften entsorgen.
- ▶ Das zu entsorgende Gut, Produktionsabfälle sowie Betriebsstoffe nur an autorisierten Annahmestellen abliefern.
- ▶ Bei Unklarheiten zur Entsorgung den Hersteller kontaktieren.

4.5 Lagerung

4.5.1 ATS3080 und Netzgerät 3080

- ▶ ATS3080 und Netzgerät 3080 kühl und trocken lagern.
- ▶ Direkte Sonneneinstrahlung vermeiden.
- ▶ ATS3080 und Netzgerät 3080 staubdicht verpackt lagern.
- ▶ Elektrische Bauteile (ATS3080 und Netzgerät 3080) stoßfest verpackt und getrennt vom Zubehör lagern.
- ▶ Zur Lagerung des Zubehörs die entsprechenden Datenblätter beachten.

4.5.2 Verschlussband und Verschlussköpfe

HINWEIS

Verschlussband und Verschlussköpfe sind nicht alterungsbeständig. Lange Lagerzeiten beeinträchtigen die Lebensdauer des Kunststoffs.

- ▶ Verschlussband und Verschlussköpfe zügig verarbeiten.

Empfehlung

Lagertemperatur	20 °C – 23 °C
Luftfeuchtigkeit	50% rel.

- ▶ Die Verschlussbandspulen und Verschlusskopfspulen immer in den gelieferten und luftdicht geschlossenen Tüten lagern. Tüten ggf. mit Klebeband verschließen.
- ▶ Lagerungsdauer von 6 Monaten nicht überschreiten.
- ▶ Verpackung nie länger als 12 Stunden geöffnet lassen.
- ▶ Verpackung erst direkt vor der Verwendung öffnen und Verschlussband zeitnah verarbeiten.
- ▶ Die Verschlussbandspulen und Verschlusskopfspulen nicht direktem Sonnenlicht aussetzen.
- ▶ Die Verschlussbandspulen und Verschlusskopfspulen von Wärmequellen fernhalten.

5 Montage

5.1 Montagevorrichtung automatisch 3080 montieren

Benötigtes Werkzeug

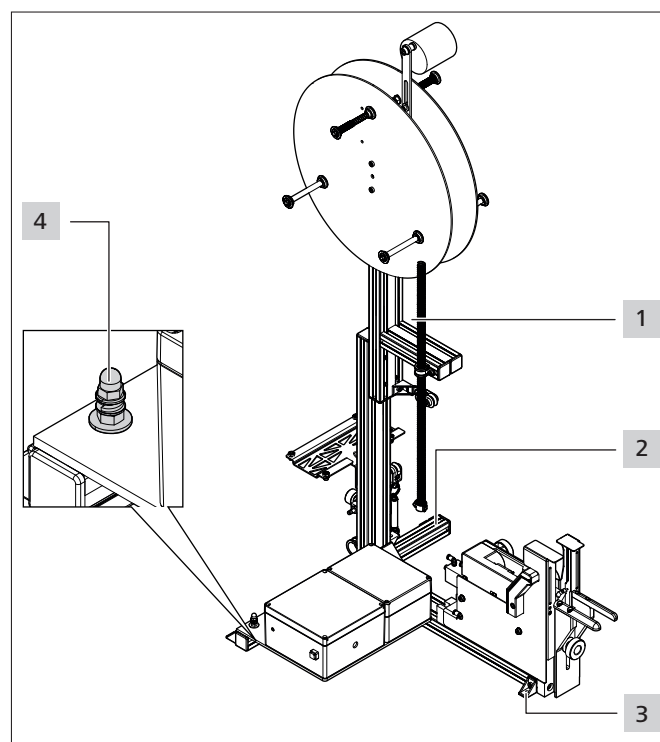
- Maulschlüssel 10 mm
- Sechskantschlüssel 4 mm, 5 mm

⚠ VORSICHT

Quetschgefahr durch schließende Zangen

- ▶ Montagearbeiten nur bei ausgeschaltetem Netzgerät 3080 durchführen.
- ▶ Druckluftversorgung drucklos schalten und gegen Wiedereinschalten sichern.

5.1.1 Montagevorrichtung automatisch 3080 aufstellen

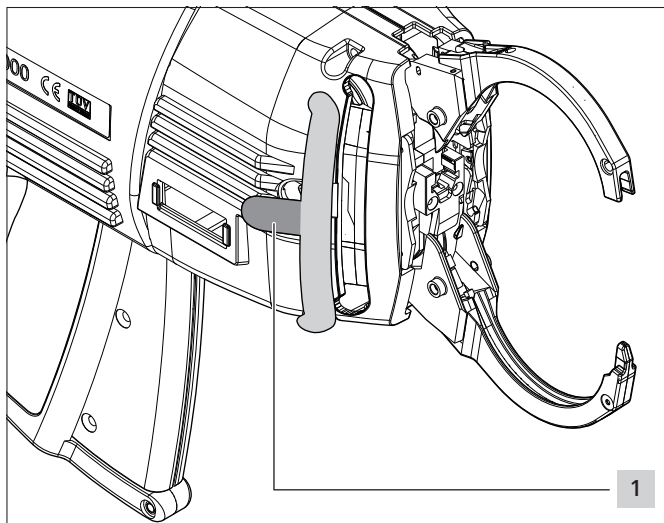


- ▶ Den Standfuß **2** der Montagevorrichtung automatisch 3080 **1** auf eine saubere, ebene und glatte Arbeitsfläche stellen.
- ▶ Die Montagevorrichtung automatisch 3080 **1** mit drei Befestigungswinkeln **3** gegen Verrutschen auf den Untergrund schrauben.

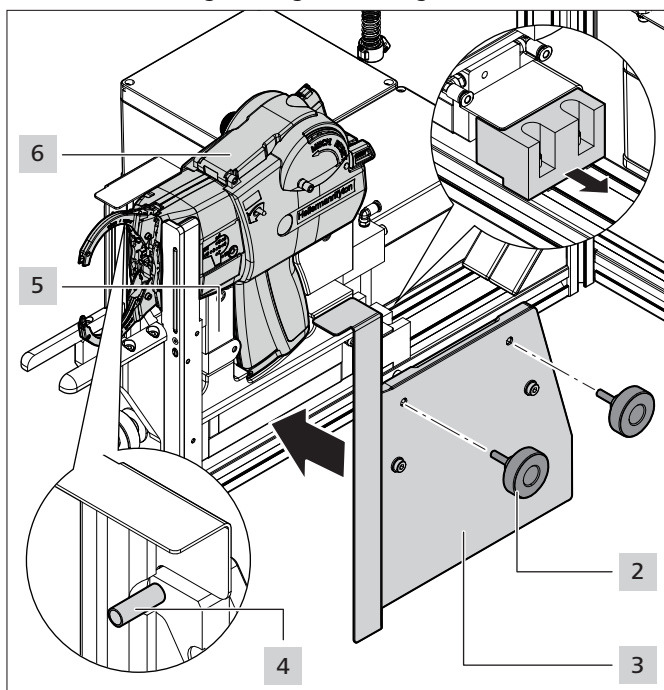
i Empfohlene Schraubengröße: M6 x 25 mm (min.)

- ▶ Ein Erdungskabel (mind. 16 mm²) am Bolzen **4** der Montagevorrichtung automatisch 3080 **1** anschrauben.

5.1.2 ATS3080 einsetzen



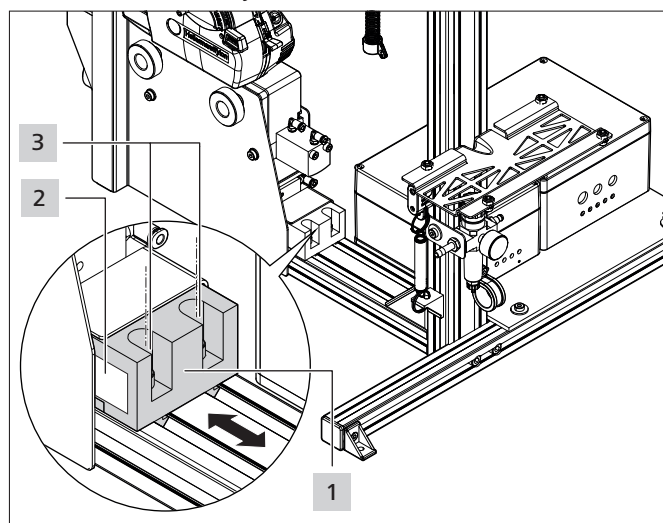
- ▶ Die Kulissenbegrenzung Größe 80 auf der rechten Seite des ATS3080 entfernen und die Zunge **1** herausbrechen.
- ▶ Die Kulissenbegrenzung ohne Zunge einsetzen.



- ▶ Die Rändelschrauben **2** der Abdeckung **3** von der Werkzeugaufnahme **5** lösen und Abdeckung **3** abnehmen.
- ▶ Das ATS3080 **6** mit dem Griff in die Werkzeugaufnahme **5** einsetzen.
- ☑ Der Sensor **4** greift in die Öffnung auf der rechten Werkzeugseite.
- ▶ Die Abdeckung **3** der Werkzeugaufnahme **5** anlegen und mit den Rändelschrauben **2** des ATS3080 **6** klemmen.

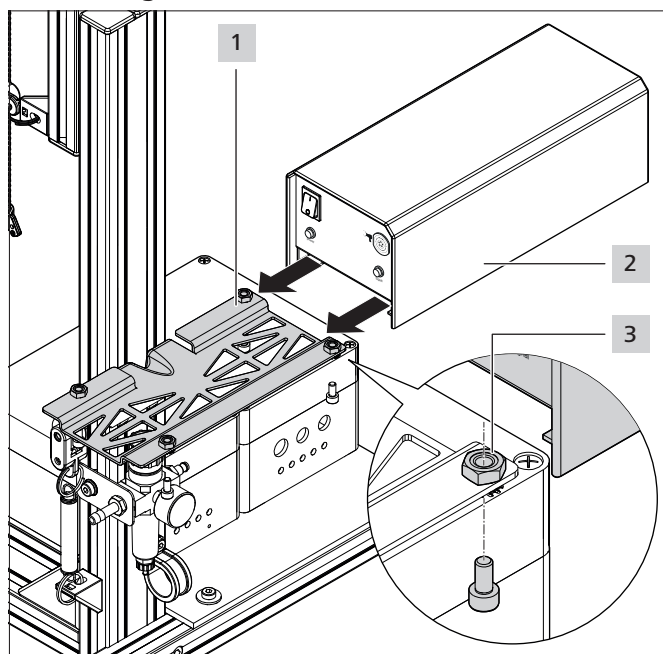
5.1.3 Verfahrensweg einstellen

Abhängig von der Zangengröße des ATS3080 muss der Verfahrensweg eingestellt werden, → „Bewegungsablauf im Normalbetrieb“ auf Seite 30.



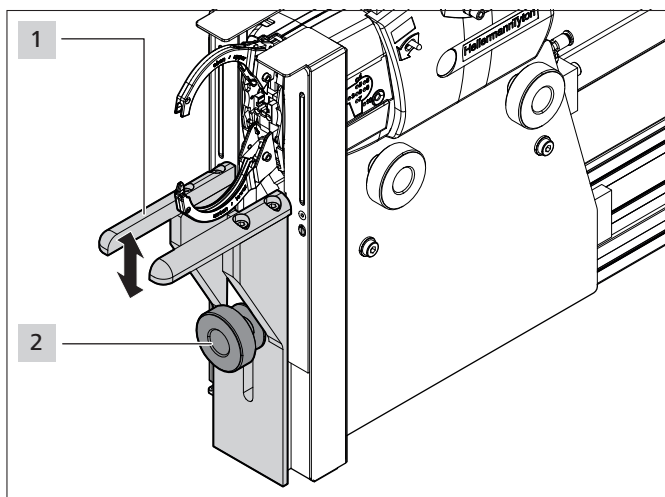
- ▶ Die Schrauben **3** des Begrenzungsblocks **1** lösen und den Begrenzungsblock **1** an die gewünschte Position schieben.
- Der Verfahrensweg für Zangen mit $\varnothing 30$ mm und $\varnothing 50$ mm beträgt 15 mm.
- Der Verfahrensweg für Zangen mit $\varnothing 80$ mm beträgt 22 mm.
- ▶ Den Begrenzungsblock **1** mit den Schrauben **3** fixieren, siehe Aufkleber **2**.

5.1.4 Netzgerät 3080 einsetzen



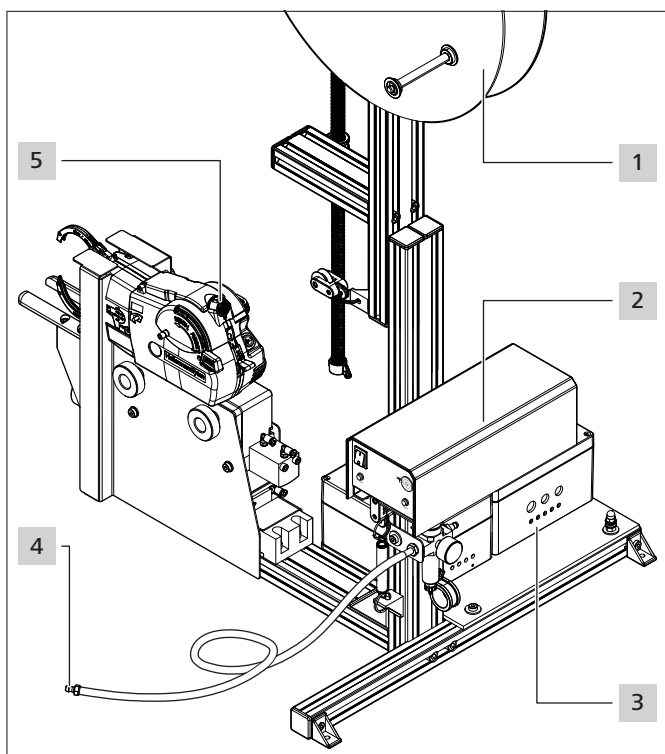
- ▶ Die Schrauben **3** lösen und nach unten herausnehmen.
- ▶ Das Netzgerät 3080 **2** seitlich einschieben, so dass die Gummifüße des Netzgeräts **2** unterhalb des Werkzeughalters **1** sind.
- ▶ Die Schrauben **3** einsetzen und festziehen.

5.1.5 Dorne einstellen



- ▶ Die Klemmschraube **2** lösen.
- ▶ Die Dorne **1** auf die gewünschte Höhe des Bündelguts einstellen.
- ▶ Die Klemmschraube **2** festziehen.

5.1.6 ATS3080 und Montagevorrichtung automatisch 3080 anschließen

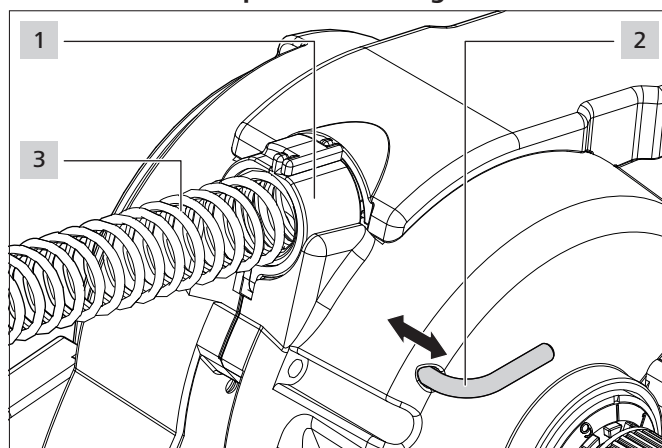


i Zum Anschließen des ATS3080 und des Netzgeräts 3080, die Betriebsanleitung des ATS3080 beachten.

- ▶ Das ATS3080 **5** an das Netzgerät 3080 **2** anschließen, → „Anschlussplan“ auf Seite 36
- ▶ Die Spannungsversorgung anschließen, → „Schnittstellenübersicht Netzgerät 3080“ auf Seite 33
- ▶ Die Steuerboxen **3** an die kundenseitige Steuerung anschließen, → „Schnittstellenübersicht Steuerboxen“ auf Seite 35

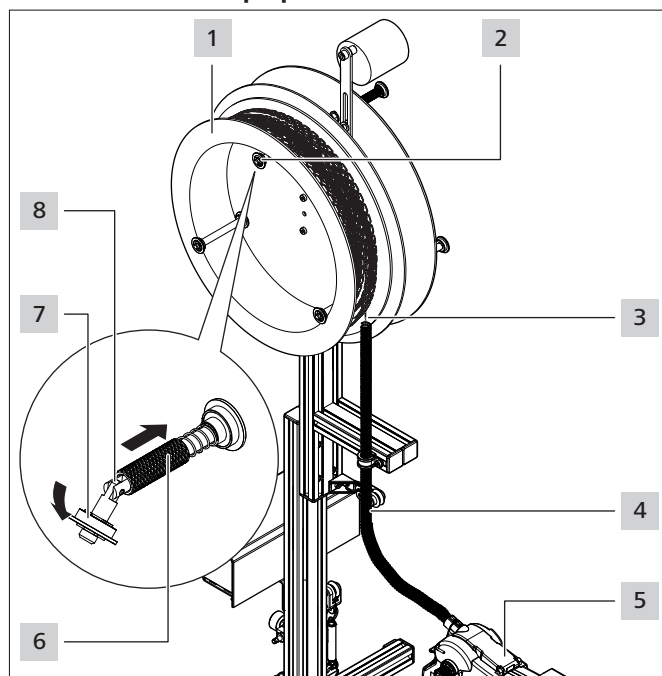
- ▶ Den Druckluftanschluss **4** an die Druckluftversorgung anschließen.
- ▶ Auf knickfreie Verlegung der Verkabelung achten.
- ▶ Auf sicheren Halt und Dichtigkeit des Druckluftanschlusses **4** achten.
- ▶ Auf gute Zugänglichkeit des ATS3080 **5**, des Netzgeräts 3080 **2**, der Steuerboxen **3** und der Spulhalter **1** achten.

5.1.7 Verschlusskopfkettensführung BMK einsetzen



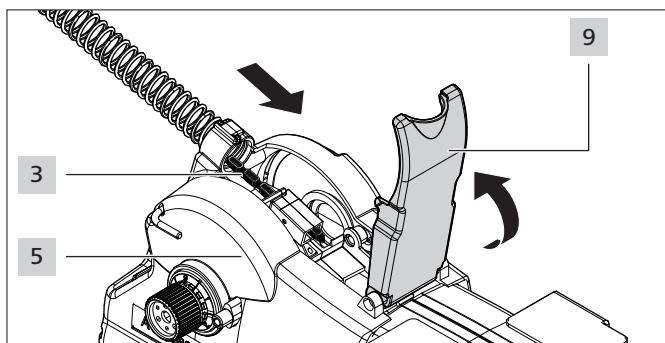
- ▶ Den Sicherungsstift **2** herausziehen.
- ▶ Den Halter **1** der Verschlusskopfkettensführung **3** einsetzen.
- ▶ Den Sicherungsstift **2** einrasten lassen.

5.1.8 Verschlusskopfspule einsetzen



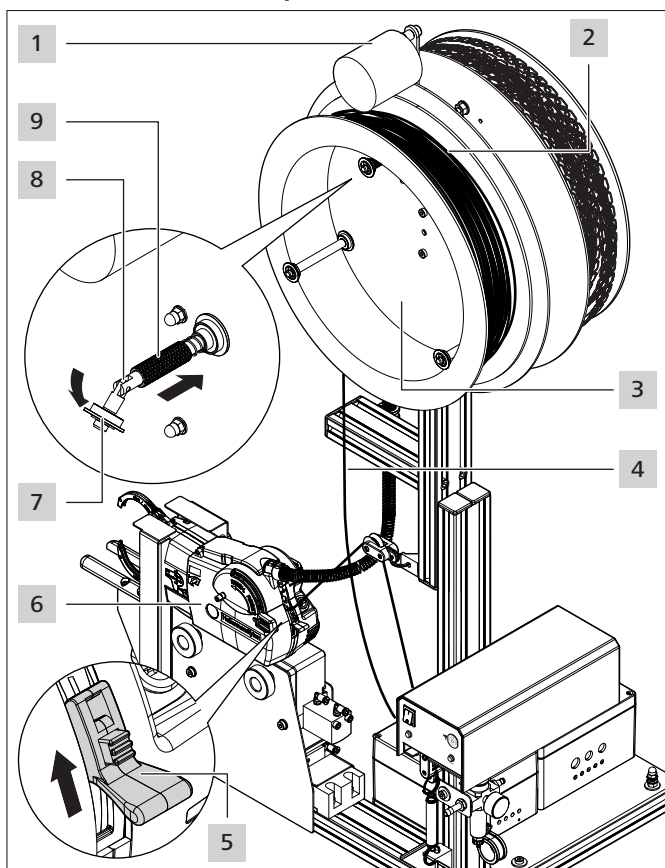
- ▶ Die Verschlusskopfspule **1** auspacken und das Schutznetz entfernen.
- ▶ Die Hülse **6** der Knickachse **8** einschieben und das Lager **7** nach innen kippen.
- ▶ Die Verschlusskopfspule **1** auf die Spulenaufnahme **2** stecken. Dabei die Wickelrichtung beachten.

- ☑ Die Verschlusskopfspule **1** wickelt im Uhrzeigersinn ab.
- ☑ Der Kragen des Lagers **7** hält die Verschlusskopfspule **1** auf der Montagevorrichtung automatisch 3080.
- ▶ Die Verschlusskopfkette **3**, mit der Nummer nach oben zeigend, zuerst in die Verschlusskopfkettenführung **4** einführen.
- ▶ Die Verschlusskopfkette **3** durch die Verschlusskopfkettenführung **4** zum ATS3080 **5** führen.
- ▶ Darauf achten, dass keine Verdrehung der Verschlusskopfkette **3** auftritt.

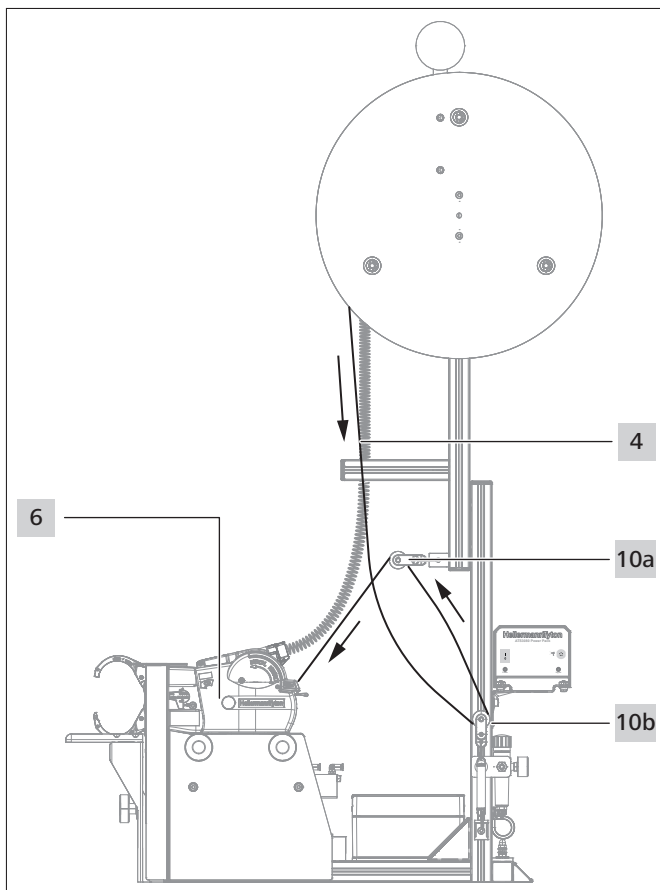


- ▶ Den Deckel **9** des ATS3080 **5** öffnen.
- ▶ Die Verschlusskopfkette **3** bis zum ersten Einrasten in das ATS3080 **5** einführen.
- ☑ Die LED auf dem Display erlischt.
- ☑ Die Verschlusskopfkette **3** rastet spürbar ein.
- ▶ Den Deckel **9** des ATS3080 **5** schließen.

5.1.9 Verschlussbandspule einsetzen



- ▶ Die Hülse **9** der Knickachse **8** einschieben und das Lager **7** nach innen kippen.
- ▶ Den Bremsklotz **1** nach oben schieben.
- ▶ Die Verschlussbandspule **2** auf die Spulenaufnahme **3** stecken. Dabei die Wickelrichtung beachten.
- ☑ Die Verschlussbandspule **2** wickelt gegen den Uhrzeigersinn ab.
- ☑ Der Kragen des Lagers **7** hält die Verschlussbandspule **2** auf der Montagevorrichtung automatisch 3080.
- ▶ Den Bremsklotz **1** auf die Verschlussbandspule **2** schieben.

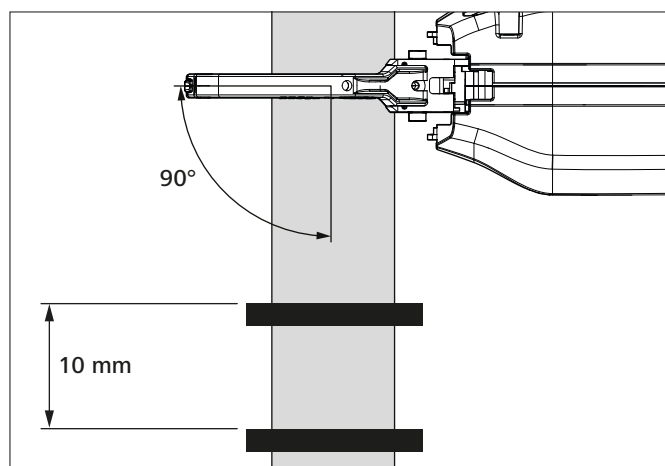


- ▶ Das Verschlussband **4** um die Umlenkrollen **10b** und **10a** zum ATS3080 **6** führen.
- i** Die Ziffern (1 und 2) auf den Umlenkrollen kennzeichnen die Reihenfolge für die Führung des Verschlussbands, → Aufkleber auf der Spulenaufnahme.
- ▶ Darauf achten, dass keine Verdrehung des Verschlussbands **4** auftritt.
- ▶ Das Ende des Verschlussbands **4** mit der Verzahnung nach oben in die Öffnung des ATS3080 **6** einführen.
- ▶ Die Verriegelung **5** am ATS3080 **6** schließen.
- ☑ Die rote LED auf dem Display erlischt.

5.2 Positionierung

5.2.1 Bündelgut positionieren

- ▶ Das Bündelgut immer gleich positionieren.
- ▶ Das Bündelgut sauber vorbündeln. Abstehende Kabelenden vermeiden.
- ▶ Darauf achten, dass die Ober- und Unterzange des ATS3080 nicht behindert werden.

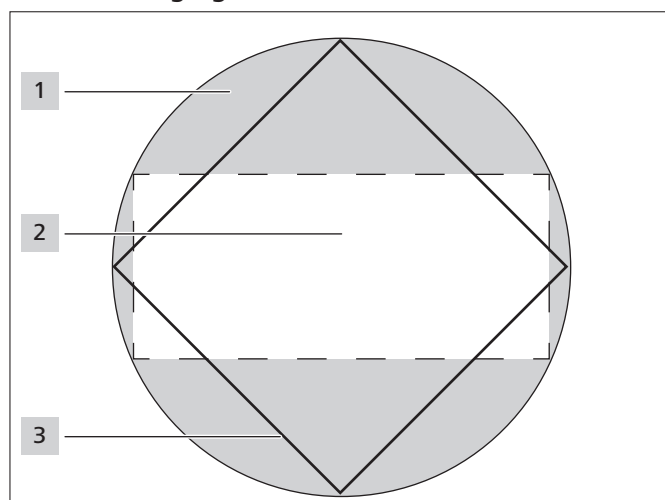


- ▶ Das ATS3080 im Winkel von 90° am Bündelgut vorbei führen, um eine feste Abbindung ohne Bandüberstand zu gewährleisten.
- ▶ Darauf achten, dass die Verschlussbänder mit einem Mindestabstand von 10 mm gesetzt werden.

HINWEIS

Für einen korrekten Abbindevorgang muss das ATS3080 immer mittig zum Bündelgut ausgerichtet sein.

5.2.2 Bündelgutgeometrien



1	Durchmesser	max. 80 mm
2	Rechteckmaße	max. 34 mm x 72 mm
3	Quadratmaße	max. 56 mm x 56 mm

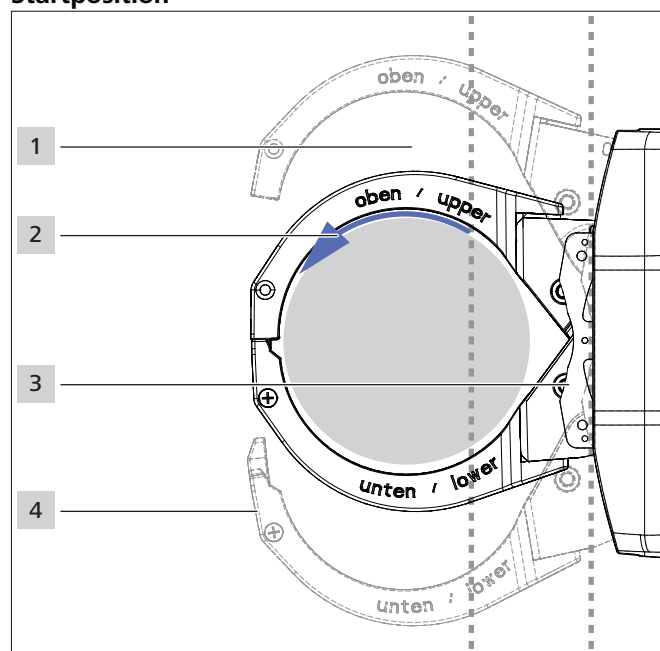
5.3 Kontrolle gesetzter Abbindungen

- i** Die Komponenten von HellermannTyton können die Kontrolle der gesetzten Verschlussbänder nicht durchführen. Für die Kontrolle ist eine externe Überwachungsanlage (z. B. Kameraüberwachung) erforderlich.

5.4 Bewegungsablauf im Normalbetrieb

- i** Der Bewegungsablauf wird mit einer Zange Ø50 mm und einem runden Objekt dargestellt.

Startposition



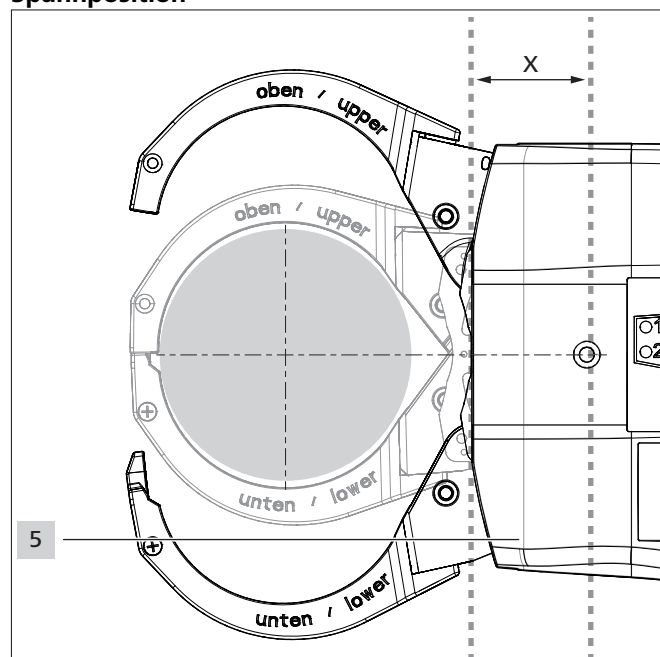
Schritt 1: Die Zange **1** schließt.

Schritt 2: Das Verschlussband umschließt **2**.

Schritt 3: Das ATS3080 schaltet in den Rücklauf um.

Schritt 4: Der Abweiser **3** geht zurück, die Zangen springen auf **4**.

Spannposition



Schritt 5: Das Verschlussband wird gespannt.

Schritt 6: Das Verschlussband wird nach Erreichen der eingestellten Abbindefestigkeit geschnitten.

Schritt 7: Der Abweiser fährt vor.

Schritt 8: Das ATS3080 5 fährt zurück auf die Startposition.

5.4.1 Verfahrweg

i Bei unterschiedlichen Durchmessern des Bündelguts muss der Kabelbaum beweglich gelagert sein, damit eine feste Abbindung gewährleistet ist.

Zange Ø30 mm und Begrenzungsblock	15 mm (5 mm drucklos)
Zange Ø50 mm und Begrenzungsblock	15 mm (5 mm drucklos)
Zange Ø80 mm und Begrenzungsblock	22 mm (5 mm drucklos)

5.4.2 Zusätzlicher Zylinder (optional)

Sollte das ATS3080 außerhalb des Bündelguts stehen, muss ein zweiter Zylinder vorgeschaltet werden (nicht im Lieferumfang von HellermannTyton enthalten).

Dieser Zylinder muss den Weg von außerhalb des Bündelguts bis auf die Startposition ausführen und dann das entsprechende Startsignal 0,5 Sekunden lang auslösen.

6 Steuerung

Die kundenseitige Steuerung übernimmt und verarbeitet Sensorsignale der Montagevorrichtung automatisch 3080.

6.1 Voraussetzung

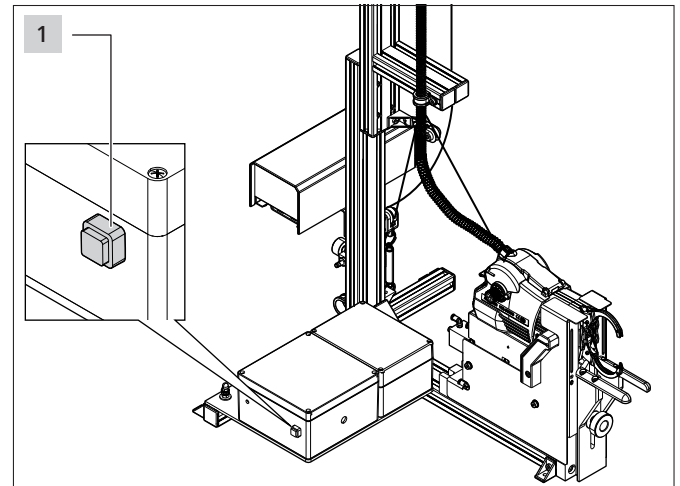
Die Montagevorrichtung automatisch 3080 befindet sich in Startstellung, alle Sensoren sind richtig belegt.

- S-Position: nicht belegt
- S-Trigger: belegt
- S-Pusher: nicht belegt
- S-Jaw open: belegt
- S-Ejector: belegt

6.2 Störungsmeldungen

- **Signal Error:** Einer der Sensoren ist nicht richtig belegt oder Zangen sind behindert.
- **Signal Error Jaw:** Zangen bleiben geschlossen. Bei dieser Störung darf das ATS3080 nicht zurückfahren – die Störung muss beseitigt werden.

6.3 Störung aufheben



- ▶ Störung beseitigen.
- ▶ Reset am ATS3080 durchführen, → *Betriebsanleitung des ATS3080*
- ▶ Resetknopf 1 an der Montagevorrichtung automatisch 3080 drücken.

7 Wartung

7.1 Wichtige Hinweise

Um die sichere Funktion des ATS3080 zu gewährleisten, muss es einer regelmäßigen Wartung unterzogen werden (siehe Wartungsplan der Betriebsanleitung des ATS3080).

! VORSICHT

Quetschgefahr durch schließende Zangen

- ▶ Finger nicht zwischen Ober- und Unterzange schieben.
- ▶ Wartungsarbeiten bei ausgeschaltetem Netzgerät 3080 durchführen.
- ▶ Druckluftversorgung drucklos schalten und gegen Wiedereinschalten sichern.

7.2 Ersatzteile

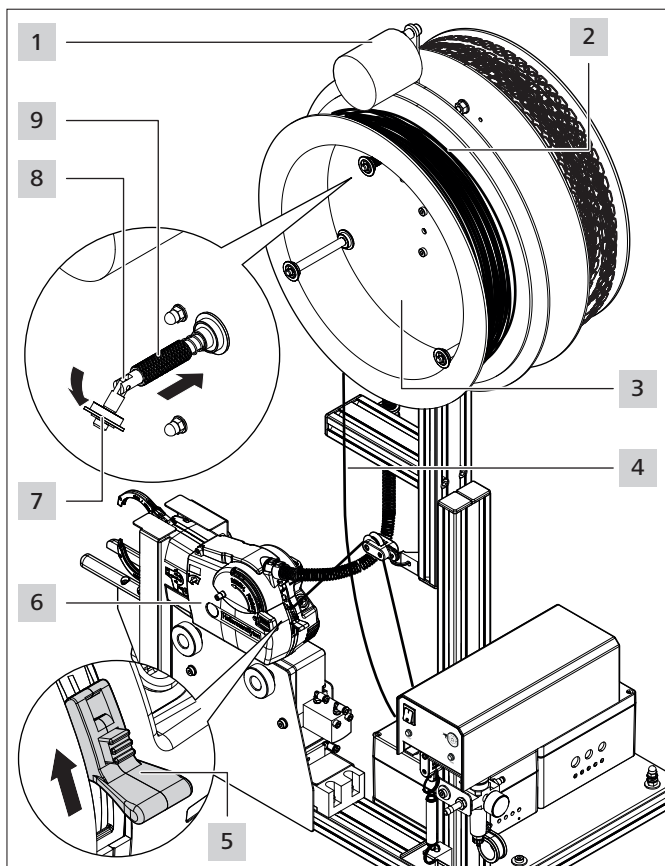
Ersatzteile und Zubehör können direkt über die jeweilige HellermannTyton Landesvertretung bezogen werden, → *Internetseite www.HellermannTyton.de.*

7.3 Allgemeine Wartungsmaßnahmen

- i** Die Wartungsmaßnahmen für das ATS3080 und das Netzgerät sind in der Betriebsanleitung des ATS3080 beschrieben (siehe Betriebsanleitung des ATS3080, Kapitel Wartung).
- ▶ Das ATS3080 und das Zubehör regelmäßig auf einwandfreie Funktion kontrollieren.
- ▶ Druckluftleitungen auf Dichtigkeit kontrollieren (siehe Betriebsanleitung des Druckluftgeräts).
- i** Das Druckluftgerät ist nicht im Lieferumfang enthalten.
- ▶ Defekte Druckluftleitungen umgehend austauschen.
- ▶ Elektrische Leitungen auf Schäden kontrollieren.

- ▶ Beschädigte elektrische Leitungen umgehend austauschen.

7.4 Verschlussbandspule austauschen



- ▶ Den Bremsklotz **1** nach oben schieben.
- ▶ Die Hülse **9** der Knickachse **8** einschieben und das Lager **7** nach innen kippen.
- ▶ Die leere Verschlussbandspule abziehen und entsprechend der örtlichen Vorschriften entsorgen.

i Leere Spulen werden nicht vom Hersteller zurückgenommen.

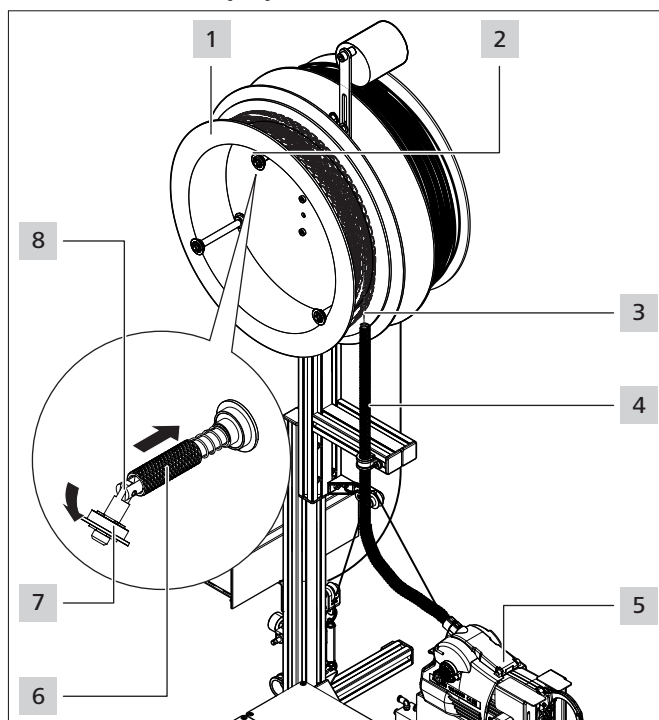
- ▶ Die volle Verschlussbandspule **2** auf die Spulenaufnahme **3** stecken. Dabei die Wickelrichtung beachten.
- ☑ Die Verschlussbandspule **2** wickelt gegen den Uhrzeigersinn ab.
- ☑ Der Kragen des Lagers **7** hält die Verschlussbandspule **2** auf der Montagevorrichtung automatisch 3080.
- ▶ Den Bremsklotz **1** auf die Verschlussbandspule **2** schieben.
- ▶ Das Verschlussband **4** um die Umlenkrollen zum ATS3080 **6** führen, → „Verschlussbandspule einsetzen“ auf Seite 29.

i Die Ziffern (1 und 2) auf den Umlenkrollen kennzeichnen die Reihenfolge für die Führung des Verschlussbands, → Aufkleber auf der Spulenaufnahme.

- ▶ Darauf achten, dass keine Verdrehung des Verschlussbands **4** auftritt.
- ▶ Das Ende des Verschlussbands **4** mit der Verzahnung nach oben in die Öffnung des ATS3080 einführen.

- ▶ Die Verriegelung **5** am ATS3080 schließen.
- ☑ Die rote LED auf dem Display erlischt.

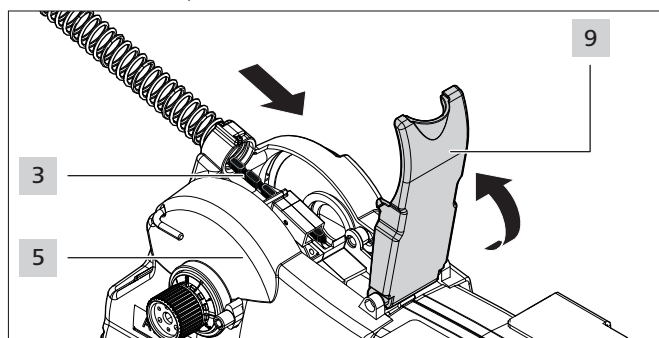
7.5 Verschlusskopfspule austauschen



- ▶ Die Hülse **6** der Knickachse **8** einschieben und das Lager **7** nach innen kippen.
- ▶ Die leere Verschlusskopfspule abziehen und entsprechend der örtlichen Vorschriften entsorgen.

i Leere Spulen werden nicht vom Hersteller zurückgenommen.

- ▶ Die volle Verschlusskopfspule **1** auf die Spulenaufnahme **2** stecken. Dabei die Wickelrichtung beachten.
- ☑ Die Verschlusskopfspule **1** wickelt im Uhrzeigersinn ab.
- ☑ Der Kragen des Lagers **7** hält die Verschlusskopfspule **1** auf der Montagevorrichtung automatisch 3080.
- ▶ Die Verschlusskopfkette **3**, mit der Nummer nach oben zeigend, zuerst in die Verschlusskopfkettenführung **4** einführen.
- ▶ Die Verschlusskopfkette **3** durch die Verschlusskopfkettenführung **4** zum ATS3080 **5** führen.
- ▶ Darauf achten, dass keine Verdrehung der Verschlusskopfkette **3** auftritt.

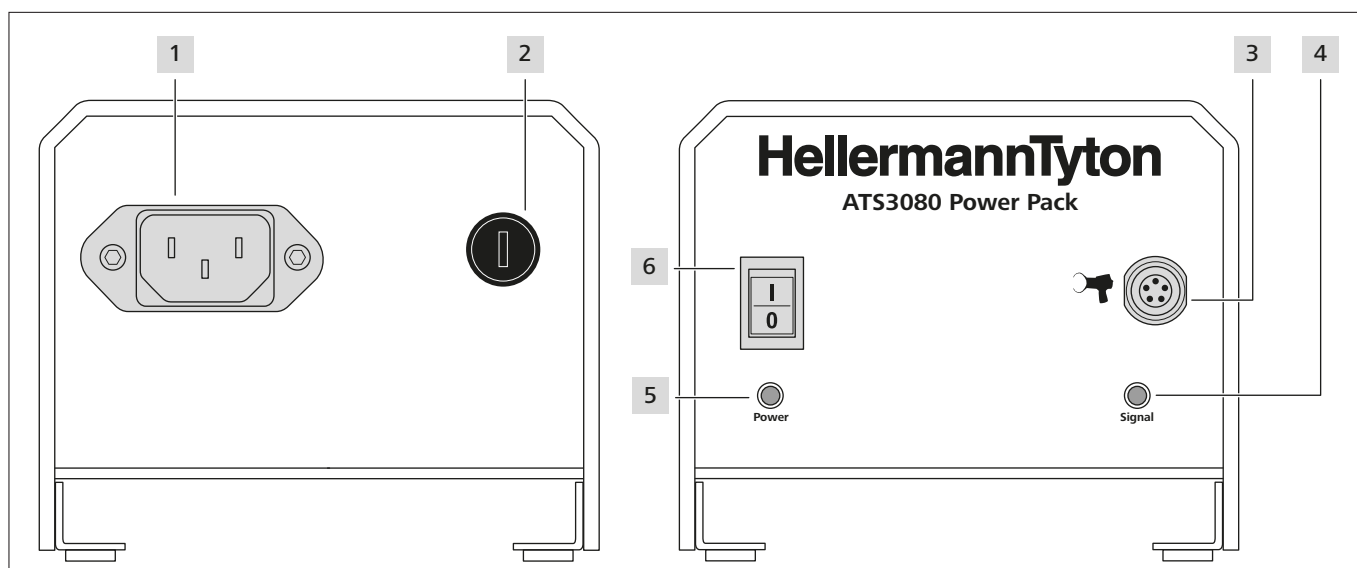


- ▶ Den Deckel **9** des ATS3080 **5** öffnen.
- ▶ Die Verschlusskopfkette **3** bis zum ersten Einrasten in das ATS3080 **5** einführen.
- ☑ Die Verschlusskopfkette **3** rastet spürbar ein.
- ☑ Die LED auf dem Display erlischt.
- ▶ Den Deckel **9** des ATS3080 **5** schließen.

8 Technische Daten

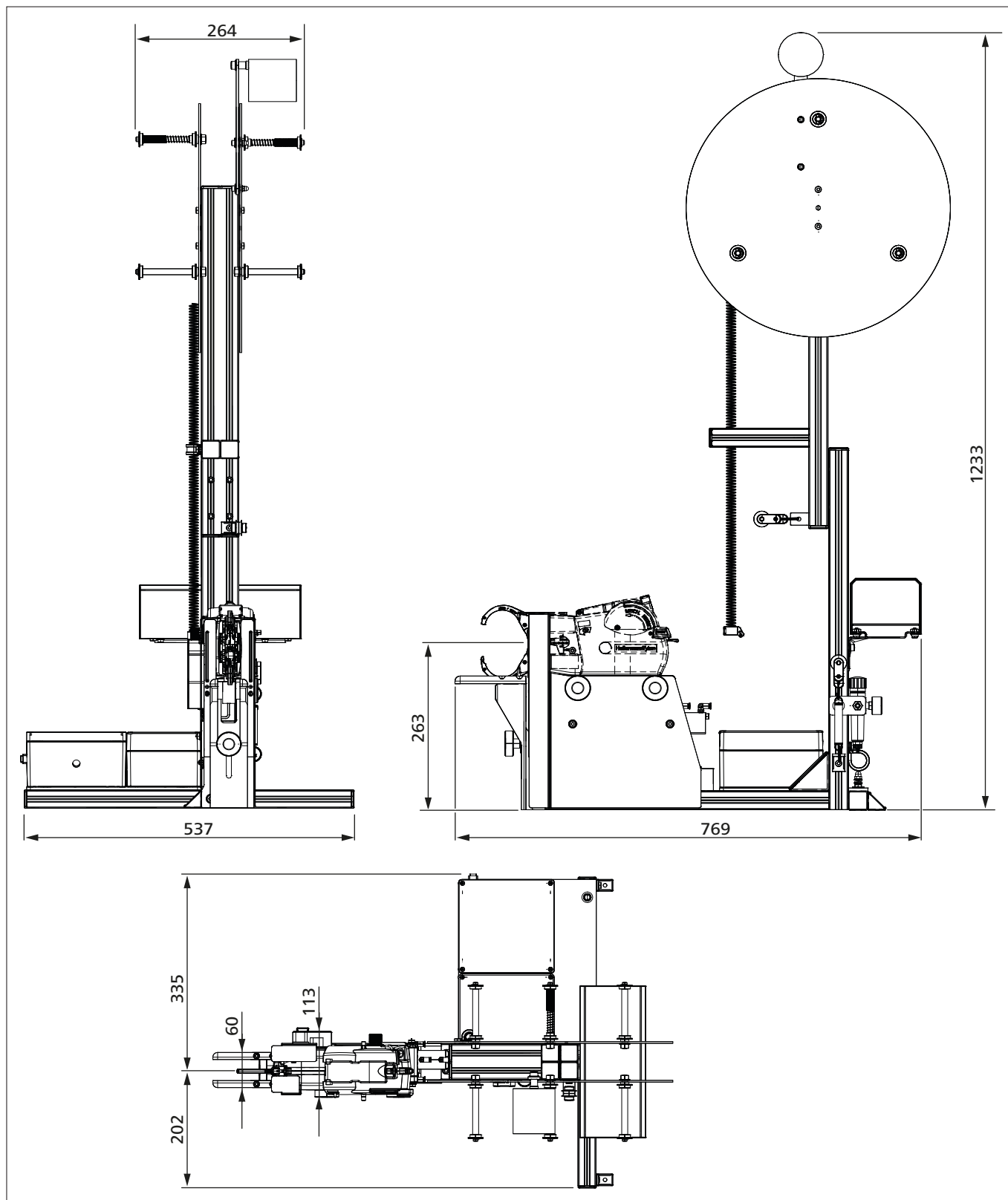
- i** Falls nicht anders gekennzeichnet, werden alle Maße aufgerundet in Millimetern angegeben.
Für die Planung bei der Integration in automatische Anlagen bietet HellermannTyton spezielle CAD-Modelle an.

8.1 Schnittstellenübersicht Netzgerät 3080



- 1 Anschluss Netzkabel
- 2 Sicherung
- 3 Anschluss für Verbindung mit ATS3080
- 4 LED-Signalleuchte **Signal**
Grün: Betriebsspannung
- 5 LED-Signalleuchte **Power**
Grün: Netzgerät 3080 eingeschaltet
- 6 Hauptschalter

8.2 Montagevorrichtung automatisch 3080



GB

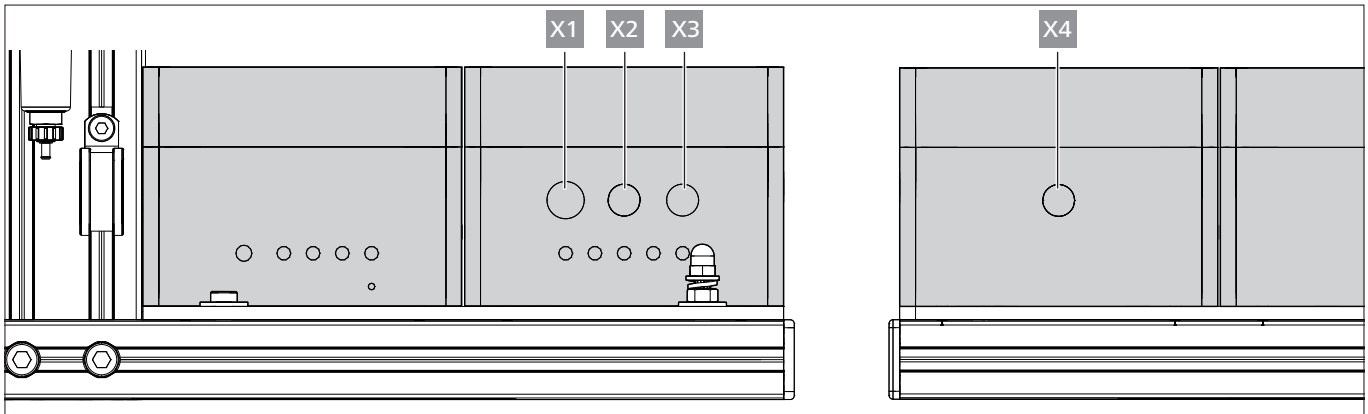
DE

Gewicht mit AT53080, Netzgerät 3080 und Spulen (voll)	ca. 25,0 kg
Gewicht (leer)	ca. 17,0 kg

8.3 Steuerboxen

Spannungsversorgung	24 V $\overline{=}$, max. 500 mA
Druckluftversorgung	5–7 bar, ölfrei
Druckluftverbrauch	mit Hub bei 80er-Zange ca. 0,4 m ³ /h bei 5 bar Eingangsdruck, 1.500 Zyklen / h

8.3.1 Schnittstellenübersicht Steuerboxen



X1	Steuerung kundenseitig
X2	Steuerung kundenseitig
X3	Steuerung kundenseitig
X4	Blindstopfen

i Zur Pinbelegung siehe Schaltplan.

8.3.2 Steckerbelegung Steuerboxen

Einbaubuchse X1

PIN 1 = Startsignal PIN 2 = + 24 V $\overline{=}$		PIN 1 — C } PIN 2 — C } Start
--	--	----------------------------------

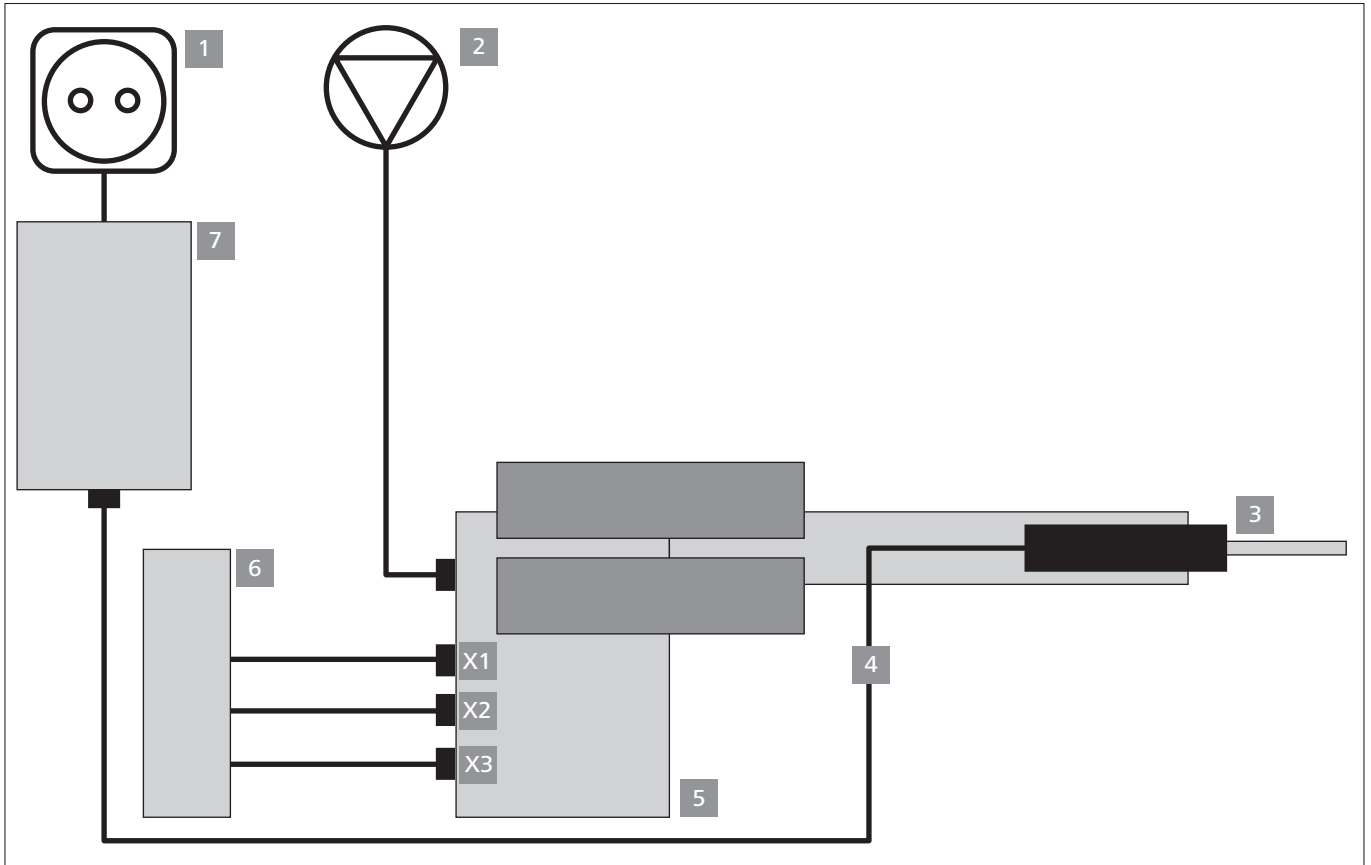
Einbaustecker X2

PIN 1 = 0V PIN 3 = +24 V $\overline{=}$		Stromversorgung Montagevorrichtung automatisch 3080
--	--	---

Einbaubuchse X3

PIN 1 = \oplus PIN 2 = 0 V PIN 3 = Error Signal PIN 4 = Error Jaw PIN 5 = OK Signal		PIN 2 — C } PIN 3 — C } PIN 4 — C } PIN 5 — C }
---	--	--

8.4 Anschlussplan



1 Spannungsversorgung Netzgerät 3080

2 Druckluftanschluss

3 ATS3080

4 Verbindungskabel

5 Steuerboxen

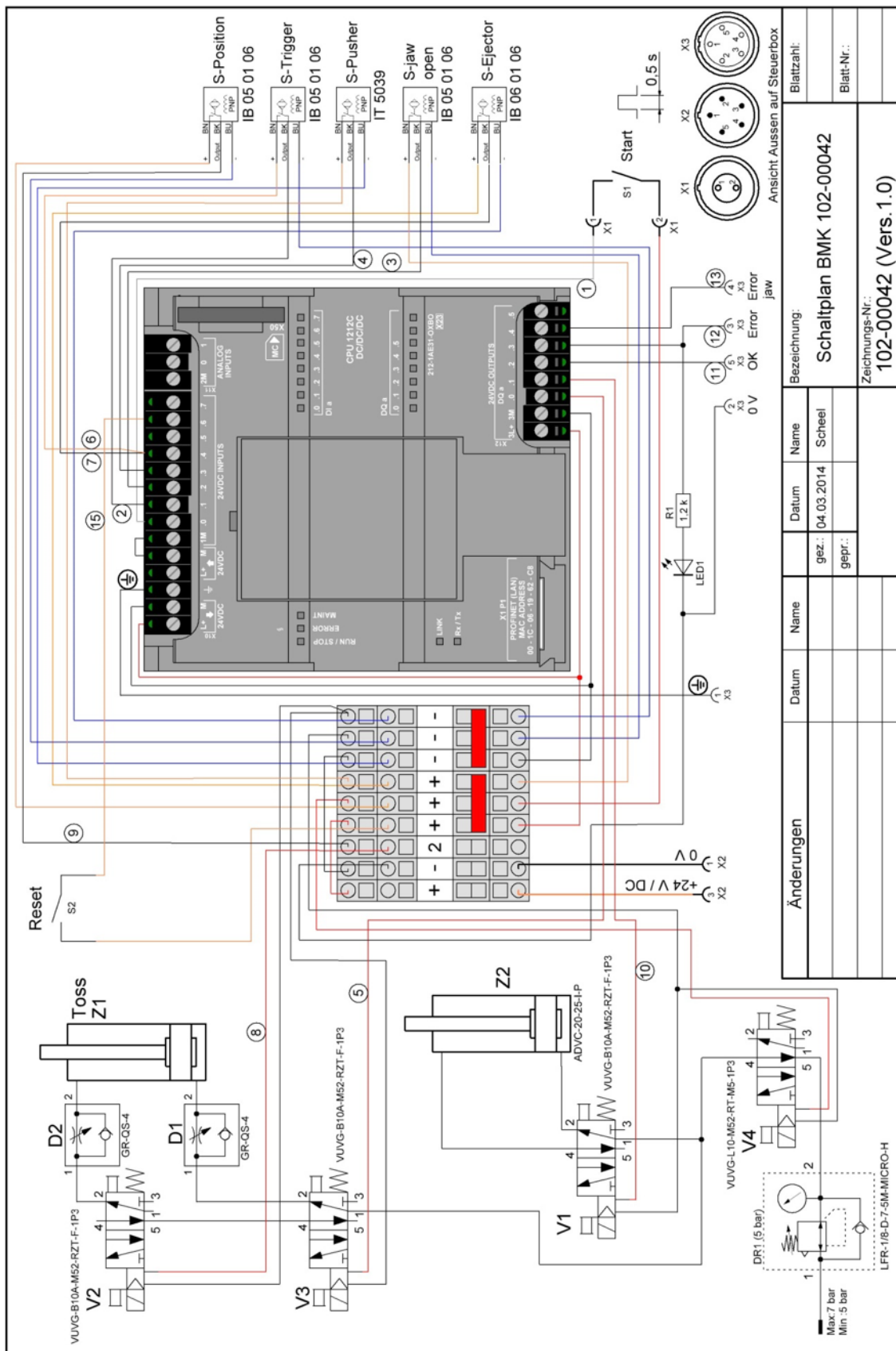
6 Steuerung kundenseitig

7 Netzgerät 3080



Zur Steckerbelegung X1 bis X3, → „Schnittstellenübersicht Steuerboxen“ auf Seite 35

8.5 Schaltplan



DE GB

9 Konformitätserklärung

GB

DE

HellermannTyton**EG-Konformitätserklärung**

**MONTAGEVORRICHTUNG AUTOMATISCH FÜR AUTOTOOL SYSTEM 3080
102-00042**

Hersteller: **HellermannTyton GmbH**
 Straße: **Großer Moorweg 45**
 PLZ/Ort: **25436 Tornesch**
 Telefon: **+49 4122/701-1**
 Telefax: **+49 4122/701-400**

Wir erklären, dass das von uns in Verkehr gebrachte Erzeugnis

Name: **Montagevorrichtung automatisch für Autotoolsystem 3080**

Produktart: **Montagevorrichtung**

Maschinentyp: **Montagevorrichtung automatisch für Abbindewerkzeug
Autotool System 3080 (102-00000) sowie dem zugehörigen
Netzgerät (102-00100)**

Seriennummer: _____

hinsichtlich Konzipierung und Bau den grundlegenden Sicherheits- und Gesundheitsanforderungen der nachstehend aufgeführten EG-Richtlinien entspricht:

Maschinenrichtlinie 2006/42/EG
Niederspannungsrichtlinie 2014/35/EU

Hierfür wurden nachstehende harmonisierte Normen angewandt:

EN 60745-1:2010

Tornesch, 28.04.2017

HellermannTyton GmbH

i. V.

i. V.



Martin Burmeister
Safety Engineer



Olaf Wulff
Leader Development Application Systems

Diese Erklärung entspricht einer Herstellererklärung im Sinne der EG-Richtlinie für Maschinen 2006/42/EG, Anhang II A. Etwaige Änderungen an dem oben beschriebenen Erzeugnis lassen die Gültigkeit dieser Erklärung erlöschen.

HellermannTyton operates globally in 37 countries



Europe

HellermannTyton GmbH – Austria
 Rennbahnweg 65
 1220 Vienna
 Tel.: +43 12 59 99 55-0
 Fax: +43 12 59 99 11
 Email: office@HellermannTyton.at
 www.HellermannTyton.at

HellermannTyton – Bulgaria
 Email: officeBG@HellermannTyton.at
 www.HellermannTyton.at

HellermannTyton – Czech Republic
 Email: officeCZ@HellermannTyton.at
 www.HellermannTyton.cz

HellermannTyton – Denmark
 Industrivej 44A, 1.
 4000 Roskilde
 Tel.: +45 702 371 20
 Fax: +45 702 371 21
 Email: htdk@HellermannTyton.dk
 www.HellermannTyton.dk

HellermannTyton – Finland
 Äyritie 12 B
 01510 Vantaa
 Tel.: +358 9 8700 450
 Fax: +358 9 8700 4520
 Email: myynti@HellermannTyton.fi
 www.HellermannTyton.fi

HellermannTyton S.A.S. – France
 2 rue des Hêtres - CS 80543
 78197 Trappes Cedex
 Tel.: +33 1 30 13 80 00
 Fax: +33 1 30 13 80 60
 Email: info@HellermannTyton.fr
 www.HellermannTyton.fr

HellermannTyton GmbH – Germany
 Großer Moorweg 45
 25436 Tornesch
 Tel.: +49 4122 701-0
 Fax: +49 4122 701-400
 Email: info@HellermannTyton.de
 www.HellermannTyton.de

HellermannTyton KFT – Hungary
 Kisfaludy u. 13
 1044 Budapest
 Tel.: +36 1 369 4151
 Fax: +36 1 369 4151
 Email: officeHU@HellermannTyton.at
 www.HellermannTyton.hu

HellermannTyton Ltd – Ireland
 Unit A5 Cherry Orchard
 Business Park
 Ballyfermot, Dublin 10
 Tel.: +353 1 626 8267
 Fax: +353 1 626 8022
 Email: sales@HellermannTyton.ie
 www.HellermannTyton.co.uk

HellermannTyton S.r.l. – Italy
 Via Visco, 3/5
 35010 Limena (PD)
 Tel.: +39 049 767 870
 Fax: +39 049 767 985
 Email: info@HellermannTyton.it
 www.HellermannTyton.it

HellermannTyton B.V. – Belgium/Netherlands
 Vanadiumweg 11-C
 3812 PX Amersfoort
 Tel.: +31 33 460 06 90
 Fax: +31 33 460 06 99
 Email (NL): info@HellermannTyton.nl
 Email (BE): info@HellermannTyton.be
 www.HellermannTyton.nl
 www.HellermannTyton.be

HellermannTyton AS – Norway
 PO Box 240 Alnabru
 0614 Oslo
 Tel.: +47 23 17 47 00
 Fax: +47 22 97 09 70
 Email: firmapost@HellermannTyton.no
 www.HellermannTyton.no

HellermannTyton Sp. z o.o. – Poland
 Kotunia 111
 62-400 Słupca
 Tel.: +48 63 2237 111
 Fax: +48 63 2237 110
 Email: info@HellermannTyton.pl
 www.HellermannTyton.pl

HellermannTyton – Romania
 Email: officeRO@HellermannTyton.at
 www.HellermannTyton.at

OOO HellermannTyton – Russia
 40/4, Pulkovskoe road
 BC Technopolis Pulkovo, office A 8081
 196158, St. Petersburg
 Tel.: +7 812 386 00 09
 Fax: +7 812 386 00 08
 Email: info@HellermannTyton.ru
 www.HellermannTyton.ru

HellermannTyton – Slovenia
 Branch Office Ljubljana
 Podružnica Ljubljana, Ukmarjeva 2
 1000 Ljubljana
 Tel.: +386 1 433 70 56
 Fax: +386 1 433 63 21
 Email: officeSI@HellermannTyton.at
 www.HellermannTyton.si

HellermannTyton España s.l. – Spain / Portugal
 Avda. de la Industria 37 2º 2
 28108 Alcobendas, Madrid
 Tel.: +34 91 661 2835
 Fax: +34 91 661 2368
 Email:
 HellermannTyton@HellermannTyton.es
 www.HellermannTyton.es

HellermannTyton AB – Sweden
 Isafjordsgatan 5
 16440 Kista
 Tel.: +46 8 580 890 00
 Fax: +46 8 580 348 02
 Email: kundsupport@HellermannTyton.se
 www.HellermannTyton.se

HellermannTyton Engineering GmbH – Turkey
 Saray Mah Dr. Adnan Büyükdizeni Cad. No:4
 Akkom Office Park 2. Blok Kat: 10
 34768 Ümraniye-Istanbul
 Tel.: +90 216 687 03 40
 Fax: +90 216 250 32 32
 Email: info@HellermannTyton.com.tr
 www.HellermannTyton.com.tr

HellermannTyton Ltd – UK
 William Prance Road
 Plymouth International Medical
 and Technology Park
 Plymouth, Devon PL6 5WR
 Tel.: +44 1752 701 261
 Fax: +44 1752 790 058
 Email: info@HellermannTyton.co.uk
 www.HellermannTyton.co.uk

HellermannTyton Ltd – UK
 Sharston Green Business Park
 1 Robeson Way, Wythenshawe
 Manchester M22 4TY
 Tel.: +44 161 947 2200
 Fax: +44 161 947 2220
 Email: sales@HellermannTyton.co.uk
 www.HellermannTyton.co.uk

HellermannTyton Ltd – UK
 Cley Road, Kingswood Lakeside
 Cannock, Staffordshire
 WS11 8AA
 Tel.: +44 1543 728282
 Fax: +44 1543 728284
 Email: info@HellermannTyton.co.uk
 www.HellermannTyton.co.uk

HellermannTyton Data Ltd – UK
 Waterside House, Edgar Mobbs Way
 Northampton NN5 5JE
 Tel.: +44 1604 707 420
 Fax: +44 1604 705 454
 Email: sales@htdata.co.uk
 www.htdata.co.uk

Middle East

HellermannTyton – UAE
 Email: info@HellermannTyton.ae
 www.HellermannTyton.ae

North America

HellermannTyton – Canada
 Tel.: +1 905 726 1221
 Fax: +1 905 726 8538
 Email: sales@HellermannTyton.ca
 www.HellermannTyton.ca

HellermannTyton – Mexico
 Tel.: +52 333 133 9880
 Fax: +52 333 133 9861
 Email: info@HellermannTyton.com.mx
 www.HellermannTyton.com

HellermannTyton – USA
 Tel.: +1 414 355 1130
 Fax: +1 414 355 7341
 Email: corp@htamericas.com
 www.HellermannTyton.com

South America

HellermannTyton – Argentina
 Tel.: +54 11 4754 5400
 Fax: +54 11 4752 0374
 Email: ventas@HellermannTyton.com.ar
 www.HellermannTyton.com.ar

HellermannTyton – Brazil
 Tel.: +55 11 4815 9000
 Fax: +55 11 4815 9030
 Email: vendas@HellermannTyton.com.br
 www.HellermannTyton.com.br

Asia-Pacific

HellermannTyton – Australia
 Tel.: +61 2 9525 2133
 Fax: +61 2 9526 2495
 Email: cservice@HellermannTyton.com.au
 www.HellermannTyton.com.au

HellermannTyton – China
 Tel.: +86 510 8528 2536
 Fax: +86 510 8528 2731
 Email: cservice@HellermannTyton.com.cn
 www.HellermannTyton.com.cn

HellermannTyton – Hong Kong
 Tel.: +852 2831 9090
 Fax: +852 2832 9381
 Email: cservice@HellermannTyton.com.hk
 www.HellermannTyton.com.sg

HellermannTyton – India
 Tel.: +91 120 413 3384
 Email: cservice@HellermannTyton.co.in
 www.HellermannTyton.co.in

HellermannTyton – Japan
 Tel.: +81 3 5790 3111
 Fax: +81 3 5790 3112
 Email: mkt@hellermannTyton.co.jp
 www.HellermannTyton.co.jp

HellermannTyton – Republic of Korea
 Tel.: +82 32 833 8012
 Fax: +82 32 833 8013
 Email: cservice@HellermannTyton.co.kr
 www.HellermannTyton.co.kr

HellermannTyton – Philippines
 Tel.: +63 2 752 6551
 Fax: +63 2 752 6553
 Email: cservice@HellermannTyton.com.ph
 www.HellermannTyton.com.ph

HellermannTyton – Singapore
 Tel.: +65 6 586 1919
 Fax: +65 6 752 2527
 Email: cservice@HellermannTyton.sg
 www.HellermannTyton.com.sg

HellermannTyton – Thailand
 Tel.: +662 237 6702 / 266 0624
 Fax: +662 266 8664
 Email: cservice@HellermannTyton.co.th
 www.HellermannTyton.com.sg

Africa

HellermannTyton – South Africa
 Tel.: +27 11 879 6600
 Fax: +27 11 879 6603
 Email: jhb.sales@Hellermann.co.za
 www.HellermannTyton.co.za