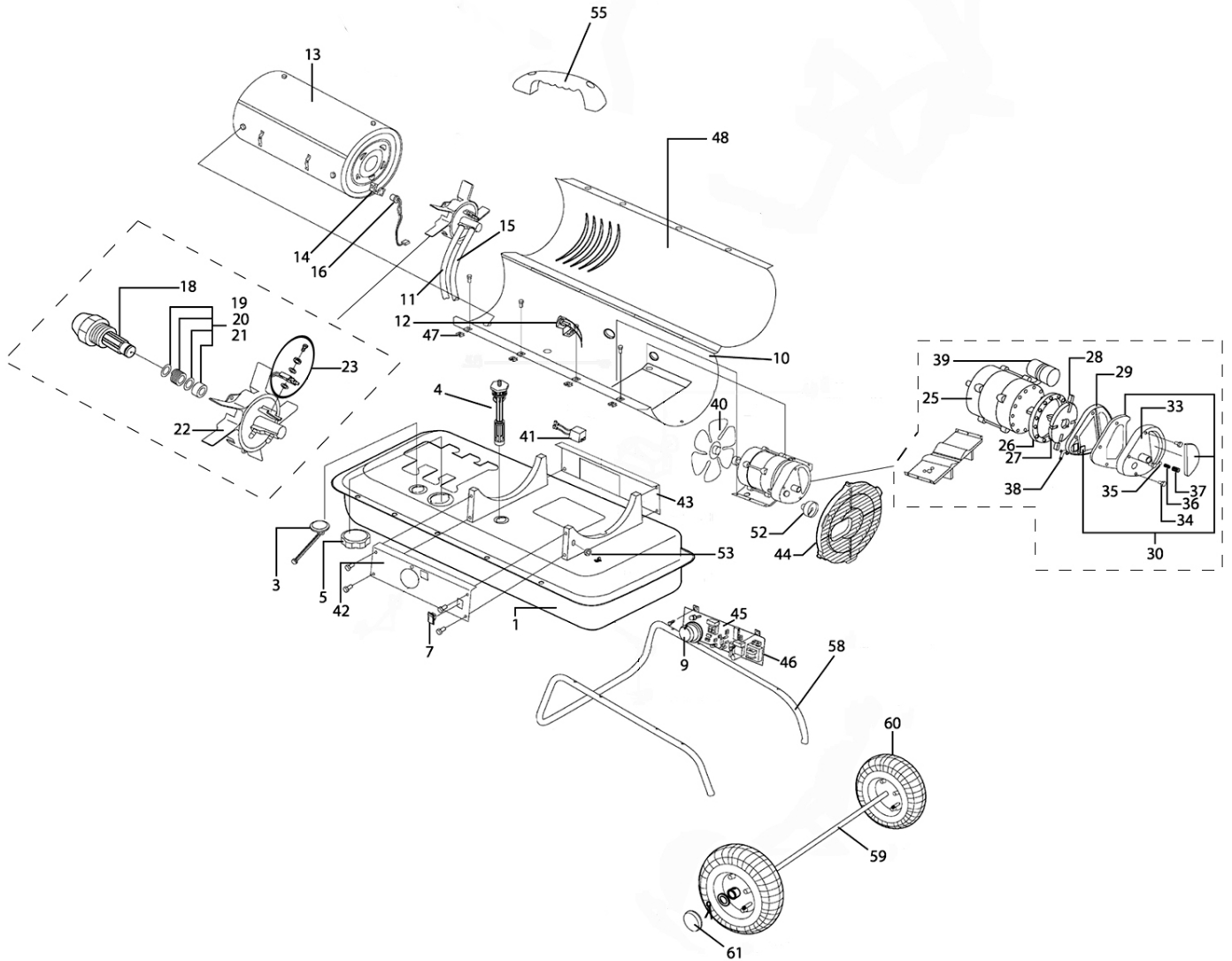




Parts Information:
Space Warmer® Paraffin/Kerosene/Diesel
Heater 70,000Btu/hr without Wheels
Model No: AB708.V2



NOTE: It is our policy to continually improve products and as such we reserve the right to alter data, specifications and component parts without prior notice.

IMPORTANT: No liability is accepted for incorrect use of product.

WARRANTY: Guarantee is 12 months from purchase date, proof of which will be required for any claim.

Sealey Group, Kempson Way, Suffolk Business Park, Bury St Edmunds, Suffolk. IP32 7AR



01284 757500



01284 703534



sales@sealey.co.uk



www.sealey.co.uk



Parts Information:
Space Warmer® Paraffin/Kerosene/Diesel
Heater 70,000Btu/hr without Wheels
Model No: AB708.V2

1	P70-002-0100	FUEL TANK ASSEMBLY
3	P70-007-0100	FUEL GAUGE ASSEMBLY
4	P70-003-0100	FUEL FILTER ASS'Y
5	P70-006-0120	FUEL CAP ASS'Y (NEW CAP AND GASKET)33mm
7	P75-012-0110	POWER SWITCH (ROCKER)
9	P70-031-0100	THERMOSTAT CONTROL KNOB
10	P70-001-0902	LOWER COVER
11	P70-035-0200	AIR HOSE
12	P70-019-0100	TEMPERATURE LIMIT SWITCH
13	P70-011-0200	COMBUSTION CHAMBER
14	P70-010-0101	FLAME SENSOR BRACKET
15	P70-036-0200	FUEL HOSE
16	P70-016-0100	FLAME SENSOR
18	P70-015-0200	NOZZLE - DELAVAN 70 K
19	P70-015-0101	NOZZLE SEAL WASHER (LIGHT MATERIAL)
20	P70-015-0102	NOZZLE SEAL SPRING
21	P70-015-0103	NOZZLE SLEEVE
22	P70-014-0101	BURNER HEAD
23	P70-052-0100	SPARK PLUG
25	P70-021-0501	MOTOR 230V/50HZ
26	P70-020-0401	PUMP BODY
27	P70-022-0220	ROTOR KIT 1/2"
28	P70-022-0202	ROTOR BLADE (SET OF 4) 5/8"
29	P70-020-0102	END PUMP COVER
30	P70-054-0100	FILTER KIT
33	P70-020-0103	END FILTER COVER

Item	Part No.	Description
34	P70-055-0100	PLUG/PUMP ADJUST KIT
35	SB-6.4	STEEL BALL 6.4mm
36	P70-020-0105	SPRING
37	P70-020-0106	ADJUSTING SCREW
38	P70-014-0104	NIPPLE
39	P70-020-0221	CAPACITOR C65R 12uf 50/60HZ 70x40
40	P70-024-0200	FAN
41	P70-037-0100	IGNITOR
42	P70-008-0200	RIGHT SIDE COVER
43	P70-009-0100	LEFT SIDE COVER
44	P70-016-0700	FAN GUARD
45	P70-027-0200	MAIN PCB ASSEMBLY
46	P70-027-0101	FUSE T5L 250V 2x0.5
47	P70-001-0105	CLIP NUT
48	P70-001-0901	UPPER COVER
52	P70-025-0100	AIR PRESSURE GAUGE
53	P70-033-0100	CORD BUSHING
55	P70-001-0103	HANDLE
58	P70-041-0170	WHEEL SUPPORT FRAME
59	P70-041-0103	WHEEL AXLE (57.5CM)
60	P70-041-0160	WHEEL,PNEUMATIC (155x12x50)
61	P70-041-0104	WHEEL CAP
--	P70-056-0100	HARDWARE KIT (NOT SHOWN)
--	P70-032-0100	CORD WRAP (NOT SHOWN)
--	P70-001-0104	HINGE PIN (NOT SHOWN)

NOTE: It is our policy to continually improve products and as such we reserve the right to alter data, specifications and component parts without prior notice.

IMPORTANT: No liability is accepted for incorrect use of product.

WARRANTY: Guarantee is 12 months from purchase date, proof of which will be required for any claim.

Sealey Group, Kempson Way, Suffolk Business Park, Bury St Edmunds, Suffolk. IP32 7AR



01284 757500



01284 703534



sales@sealey.co.uk



www.sealey.co.uk