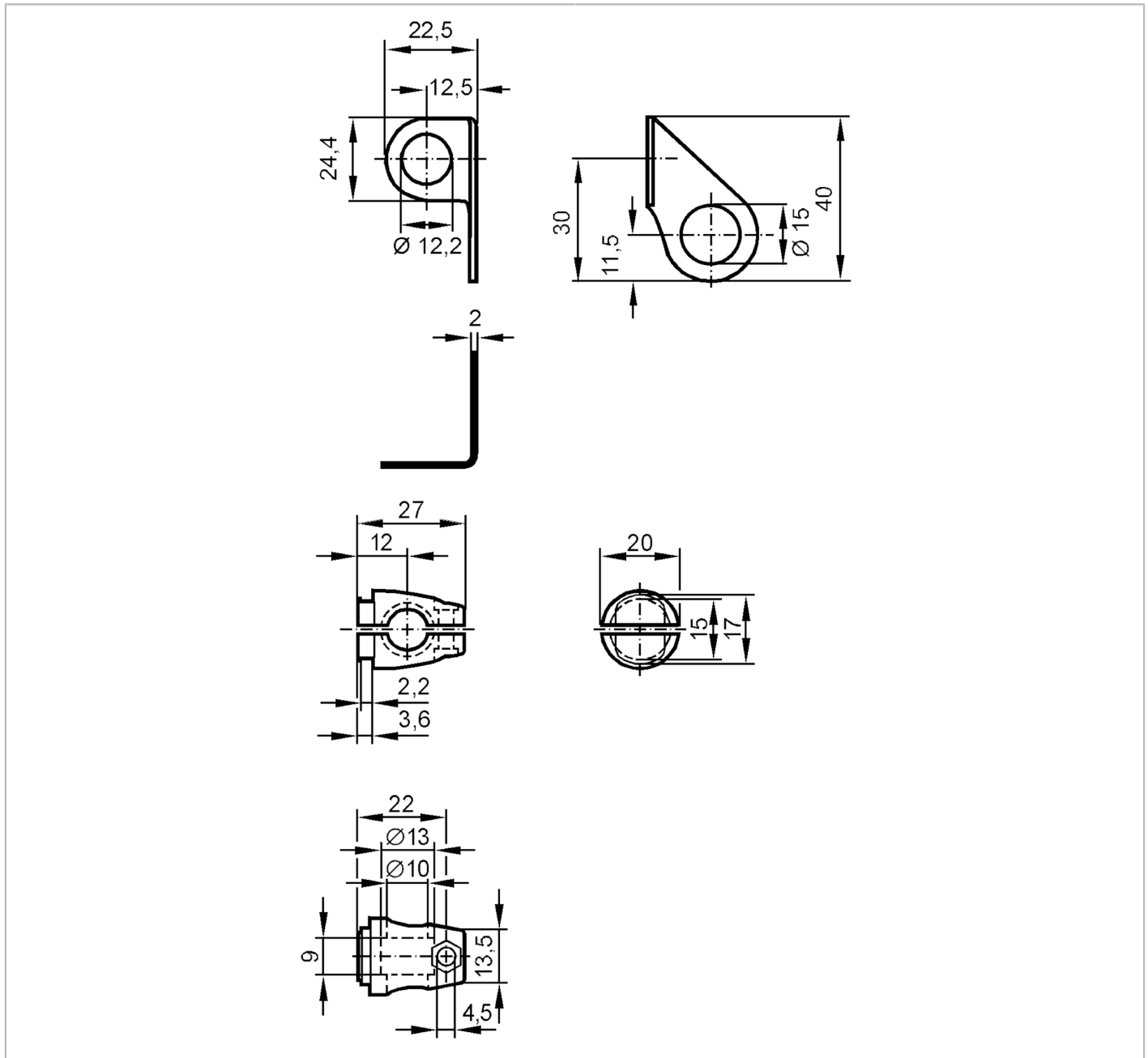


# E21203



## Mounting set for position sensors

M12 ANGLE BRACKET 500



Application	
Design	clamp mounting
Mechanical data	
Weight [g]	53
Type of mounting	Mounting rod; ( $\varnothing 10$ mm)
Dimensions [mm]	$\varnothing 12.2$
Materials	fixture: stainless steel (1.4571/316Ti); Clamp: stainless steel (1.4408)
Remarks	
Pack quantity	1 pcs.