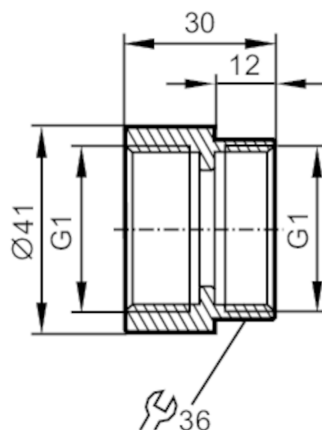


# E40217



## Mounting adapter for inline flow sensors

SREW-IN ADAPTER 1" SM



Application	
Design	for flow monitors Typ SM8, SU8
Mechanical data	
Weight [g]	300
Materials	Adapter: stainless steel (1.4404 / 316L); Gasket: Centellen 23,5 x 30 x 3 mm
Sensor connection	G 1
Process connection	G 1
Accessories	
Accessories (supplied)	O-rings: 2
Remarks	
Pack quantity	2 pcs.