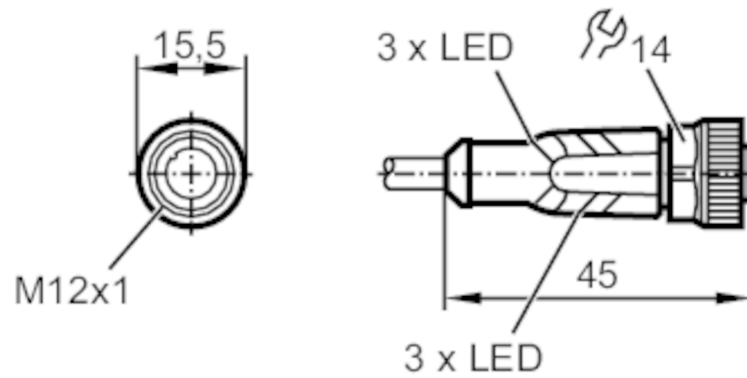


EVC646



Connecting cable with socket

ADOGH046MSS0010H04



Application

Special feature	Free from silicone; Halogen-free; Gold-plated contacts; Drag chain suitability
Free from silicone	yes

Electrical data

Operating voltage	[V]	10...36 DC
Protection class		II
Max. current load total	[A]	4

Outputs

Electrical design	PNP
-------------------	-----

Operating conditions

Ambient temperature	[°C]	-25...90
Note on ambient temperature		cULus: ...50
Ambient temperature (moving)	[°C]	-25...90
Note on ambient temperature (moving)		cULus: ...50

Protection	IP 65; IP 67; IP 68; IP 69K
------------	-----------------------------

EVC646



Connecting cable with socket

ADOGH046MSS0010H04

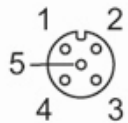
Mechanical data		
Weight [g]	286.3	
Dimensions [mm]	15.5 x 15.5 x 45	
Materials	housing: TPU black transparent; Sealing: FKM	
Material nut	brass, nickel-plated	
Drag chain suitability	yes	
Drag chain suitability	bending radius for flexible use	min. 10 x cable diameter
	travel speed	max. 3.3 m/s for a horizontal travel length of 5 m and max. acceleration of 5 m/s ²
	bending cycles	> 5 Mio.
	torsional strain	± 180 °/m

Displays / operating elements		
Display	switching status	4 x LED, yellow
	operation	2 x LED, green

Remarks	
Notes	Please see the technical note under "Downloads"
Pack quantity	1 pcs.

Electrical connection
Cable: 10 m, PUR, Halogen-free, black, Ø 4.3 mm; 4 x 0.34 mm² (42 x Ø 0.1 mm)

Electrical connection - socket
Connector: 1 x M12, straight; Locking: brass, nickel-plated; Contacts: gold-plated; Tightening torque: 0.6...1.5 Nm



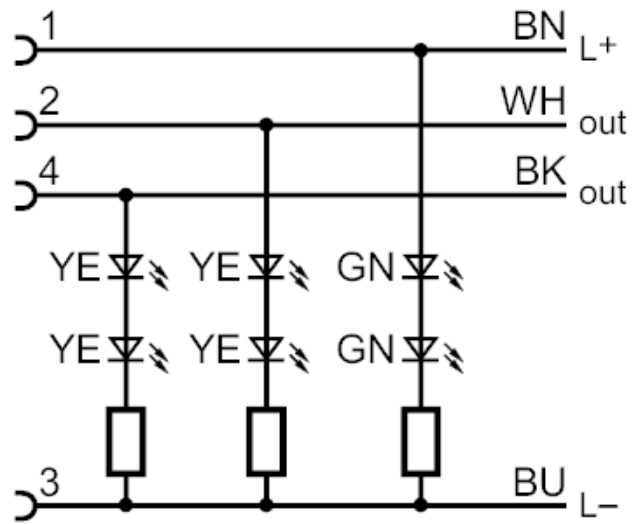
EVC646



Connecting cable with socket

ADOGH046MSS0010H04

Connection



Core colours :

BK = black
BN = brown
BU = blue
WH = white