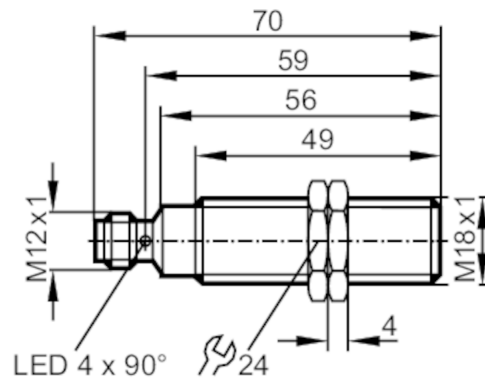


IG5905



Inductive sensor

IGK2008BFRKG/M/2LED/US-104-IRF



Product characteristics

| | |
|--------------------|---|
| Electrical design | PNP/NPN |
| Output function | normally open / normally closed; (selectable) |
| Sensing range [mm] | 8 |
| Housing | threaded type |
| Dimensions [mm] | M18 x 1 / L = 70 |

Application

| | |
|-----------------|--|
| Special feature | Gold-plated contacts; Increased sensing range; Optical setting aid |
|-----------------|--|

Electrical data

| | |
|-----------------------------|------------|
| Operating voltage [V] | 10...36 DC |
| Protection class | II |
| Reverse polarity protection | yes |

Outputs

| | |
|--|---|
| Electrical design | PNP/NPN |
| Output function | normally open / normally closed; (selectable) |
| Max. voltage drop switching output DC [V] | 4.6 |
| Minimum load current [mA] | 4 |
| Max. leakage current [mA] | 1 |
| Permanent current rating of switching output DC [mA] | 100 |
| Switching frequency DC [Hz] | 400 |
| Short-circuit protection | yes |
| Type of short-circuit protection | pulsed |
| Overload protection | yes |

Detection zone

| | |
|-------------------------|----------|
| Sensing range [mm] | 8 |
| Operating distance [mm] | 0...6.48 |
| Increased sensing range | yes |

IG5905



Inductive sensor

IGK2008BFRKG/M/2LED/US-104-IRF

Accuracy / deviations

| | |
|----------------------|---|
| Correction factor | steel: 1 / stainless steel: 0.7 / brass: 0.5 / aluminium: 0.4 / copper: 0.3 |
| Hysteresis [% of Sr] | 1...20 |

Operating conditions

| | |
|--------------------------|--------------------|
| Ambient temperature [°C] | -25...70 |
| Protection | IP 68; ("Coolant") |

Tests / approvals

| | | |
|--------------|---------------------------|-------------------|
| EMC | EN 61000-4-2 ESD | 4 kV CD / 8 kV AD |
| | EN 61000-4-3 HF radiated | 10 V/m |
| | EN 61000-4-4 Burst | 2 kV |
| | EN 61000-4-5 Surge | 0,5 kV |
| | EN 61000-4-6 HF conducted | 10 V |
| | EN 55011 | class B |
| MTTF [years] | 1357 | |
| UL approval | Ta | -25...70 °C |
| | Enclosure type | Type 1 |
| | voltage supply | Class 2 |
| | File number UL | E174191 |

Mechanical data

| | |
|--------------------|---|
| Weight [g] | 54.1 |
| Housing | threaded type |
| Mounting | flush mountable |
| Dimensions [mm] | M18 x 1 / L = 70 |
| Thread designation | M18 x 1 |
| Materials | brass white bronze coated; sensing face: PBT orange |

Displays / operating elements

| | | |
|---------------------|------------------|---------------------|
| Display | switching status | 4 x 90° LED, yellow |
| | setting aid | 1 x LED, red |
| Optical setting aid | yes | |

Accessories

| | |
|------------------------|--------------|
| Accessories (supplied) | lock nuts: 2 |
|------------------------|--------------|

Remarks

| | |
|---------------|--------|
| Pack quantity | 1 pcs. |
|---------------|--------|

Electrical connection - plug

Connector: 1 x M12; Contacts: gold-plated



IG5905



Inductive sensor

IGK2008BFRKG/M/2LED/US-104-IRF

