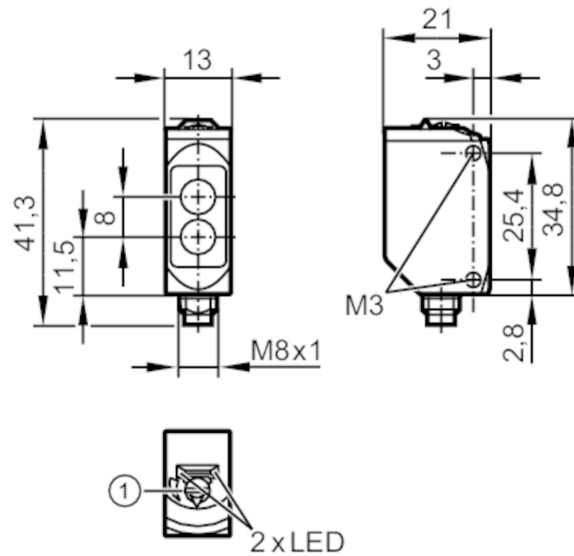


# O6P310



## Retro-reflective sensor

O6P-CPKG/AS/4P



- 1 potentiometer sensitivity receiver in upper lens  
transmitter in lower lens



### Product characteristics

Type of light	red light
Housing	rectangular
Dimensions [mm]	41.3 x 13 x 21

### Application

Special feature	polarisation filter
Function principle	Retro-reflective sensor

### Electrical data

Operating voltage [V]	10...30 DC
Current consumption [mA]	12; ((24 V))
Protection class	III
Reverse polarity protection	yes
Type of light	red light
Wave length [nm]	633

### Outputs

Electrical design	PNP
Output function	complementary
Max. voltage drop switching output DC [V]	2.5
Permanent current rating of switching output DC [mA]	100
Switching frequency DC [Hz]	1000
Short-circuit protection	yes
Type of short-circuit protection	pulsed

# O6P310



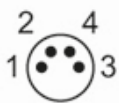
## Retro-reflective sensor

O6P-CPKG/AS/4P

Detection zone		
Range referred to prismatic reflector [m]	0.05...5; (Prismatic reflector Ø 80 E20005)	
Range adjustable	yes	
Max. light spot diameter [mm]	150	
Light spot dimensions refer to	at maximum range	
Polarisation filter available	yes	
Operating conditions		
Ambient temperature [°C]	-25...80	
Protection	IP 65; IP 67; IP 68; IP 69K	
Tests / approvals		
EMC	EN 60947-5-2	
MTTF [years]	1147	
UL approval	UL Approval no.	E009
Mechanical data		
Weight [g]	31.7	
Housing	rectangular	
Dimensions [mm]	41.3 x 13 x 21	
Materials	housing: stainless steel (1.4404 / 316L); plastics: PPSU	
Lens material	PMMA	
Lens alignment	side lens	
Displays / operating elements		
Display	switching status	1 x LED, yellow
	operation	1 x LED, green
Remarks		
Remarks	operating voltage "supply class 2" according to cULus	
Pack quantity	1 pcs.	

### Electrical connection

Connector: 1 x M8



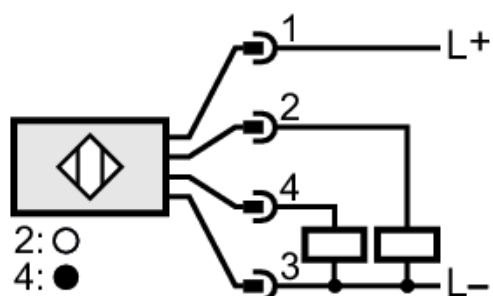
# O6P310



## Retro-reflective sensor

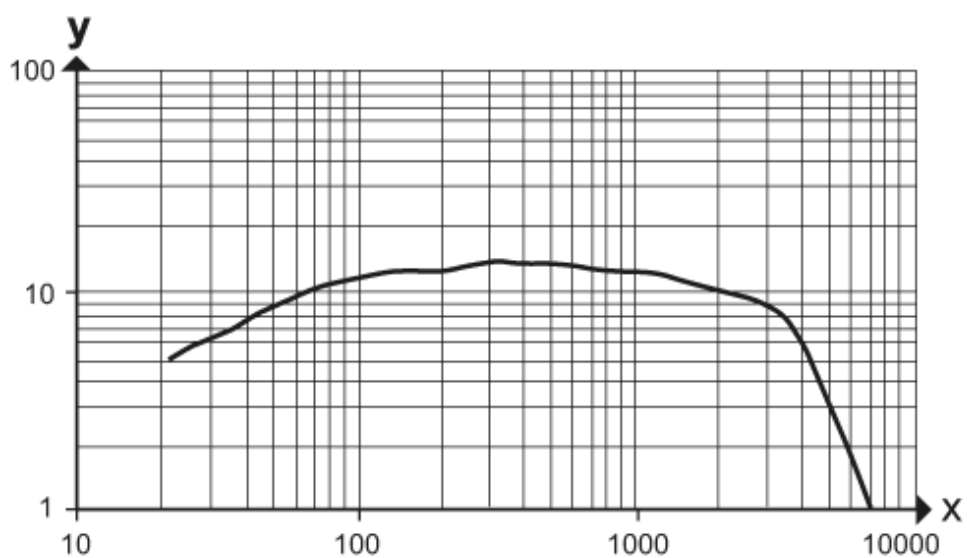
O6P-CPKG/AS/4P

### Connection



### Diagrams and graphs

excess gain graph



x: distance [mm]

y: excess gain factor