

**M23 FEMALE, 90° 12 POLE**

PUR 8x0,34+3X0.75 GRAY, drag ch 15m

M23

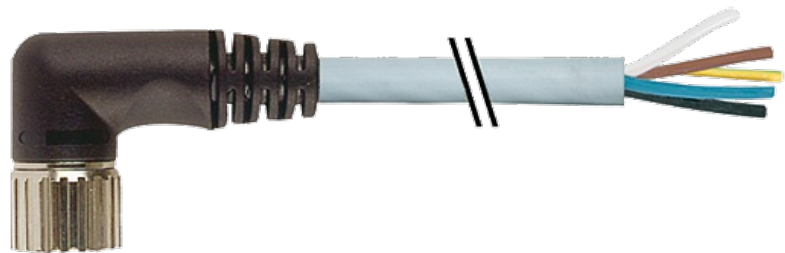
Female 90°

12-pole

11-pole used

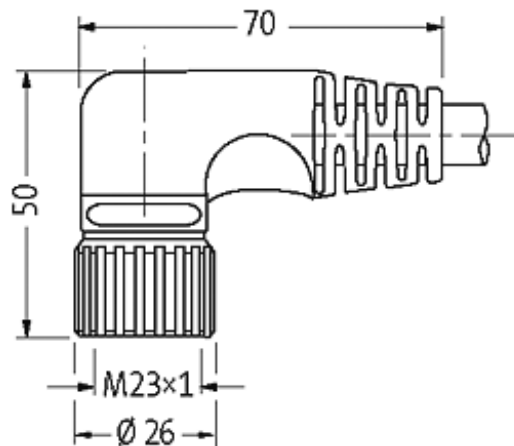
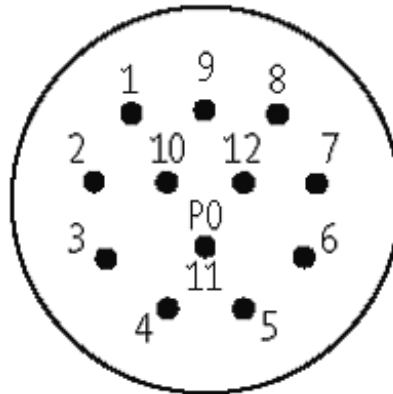
for 8-way distribution box, 4-pole

Further cable lengths on request. Plastic housings with good resistance against chemicals and oils. The resistance to aggressive media should be individually tested for your application. Further details on request.

**[Link to Product](#)****Illustration**

|    |                                   |
|----|-----------------------------------|
| 1  | white                             |
| 2  | green                             |
| 3  | yellow                            |
| 4  | gray                              |
| 5  | pink                              |
| 6  | red                               |
| 7  | black                             |
| 8  | violet                            |
| 8  | brown 0.75 mm <sup>2</sup>        |
| 11 | blue 0.75 mm <sup>2</sup>         |
| 9  | green/yellow 0.75 mm <sup>2</sup> |
| 12 |                                   |

## Female



Product may differ from Image

**Form**

23151

**Technical Data**

|                               |                                        |
|-------------------------------|----------------------------------------|
| Operating voltage             | max. 125 V AC/DC                       |
| Operating current per contact | max. 10 A                              |
| Locking of ports              | Screw thread M23 × 1 mm                |
| Protection                    | IP67 inserted and tightened (EN 60529) |

**Cables**

|                             |                                 |
|-----------------------------|---------------------------------|
| Cable number                | 362                             |
| No./diameter of wires       | 8×0.34 + 3×0.75 mm <sup>2</sup> |
| Wire isolation              | PVC                             |
| C-track properties          | 2 Mio.                          |
| Jacket Color                | gray                            |
| Shore hardness outer jacket | 85 ± 5A                         |
| Material (jacket)           | PUR/PVC                         |
| Outer diameter              | approx. 9.1 mm                  |
| Bend radius (fixed)         | 10 × outer Ø                    |

The information in this brochure has been compiled with the utmost care.

Liability for the correctness completeness and topicality of the information is restricted to gross negligence. Version: 05/15

Murrelektronik GmbH | Falkenstraße 3, 71570 Oppenweiler | Fon +49 (71 91) 47-0, Fax +49 (71 91) 47-491000 | shop@murrelektronik.de | shop.murrelektronik.de

|                            |              |
|----------------------------|--------------|
| Bend radius (moving)       | 12 × outer Ø |
| Temperature range (fixed)  | -30...+80 °C |
| Temperature range (mobile) | -5...+80 °C  |

**General data**

|                   |                                          |
|-------------------|------------------------------------------|
| Temperature range | -25...+85 °C, depending on cable quality |
|-------------------|------------------------------------------|

**Commercial data**

|                        |          |
|------------------------|----------|
| country of origin      | DE       |
| customs tariff number  | 85444290 |
| minimum order quantity | 1        |