

## EVOLUTION POWER SUPPLY 3-PHASE,

IN: 360-520VAC OUT: 22-28V/20ADC

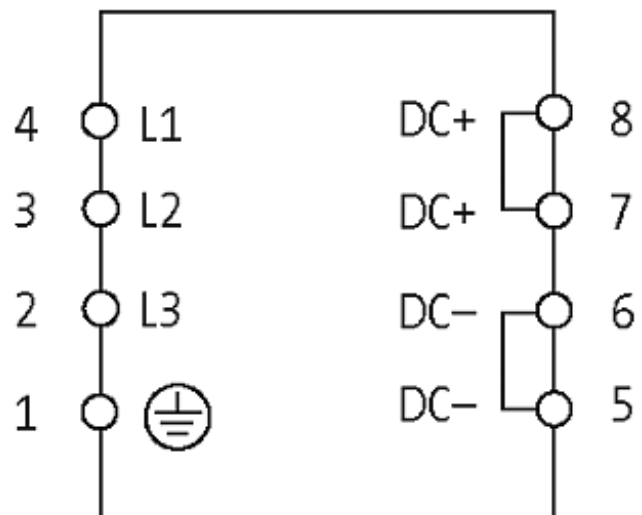
INPUT: 3×360...520 V AC/480...745 V DC

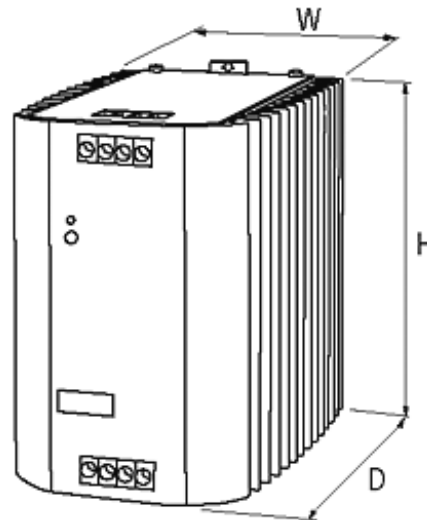
OUTPUT: 24 V DC ± 1%

Current: 20 A

### [Link to Product](#)

#### Illustration





Product may differ from Image

### Approvals



### Input

Input voltage	3 × 324...572 V AC/480...745 V DC
Input current	3 × 1.3 A
Inrush current after 1 ms	max. 19 A
Primary fusing external	max. 3 × 20 A
Frequency	50...60 Hz

### General data

Standards	(EN 60950-1), (EN 61204-3), (EN 55011 A)
Relative humidity	5...95 %, no condensation
Efficiency	90 %
Mounting method	DIN-rail mountable TH35 (EN 60715)
Dimensions H × W × D	132×113×136 mm
Protection	IP20
Temperature range	-25...+70 °C (storage temperature -40...+85 °C)

### Output

Output voltage	24 V DC (SELV), ±1 %; 22...28 V adjustable
Output current	20 A (+55 °C); 15.8 A (+70 °C)
Power Boost	I <sub>out</sub> N × 150 % (min. 4 s)
Mains failure bridging time	min. 19 ms (400 V AC)
Ripple	max. 50 mV <sub>rms</sub>
Unit protection	short-circuit and overload protected
Spikes	max. 100 mV p-p

LED display	LED (green): OK; LED (red): overload
Parallel usage/serial usage	max. 5 units/max. 2 units

**Commercial data**

country of origin	CZ
customs tariff number	85044090
minimum order quantity	1