

## MTS 1-PHASE CONTROL AND ISOLATION TRANSFORMER

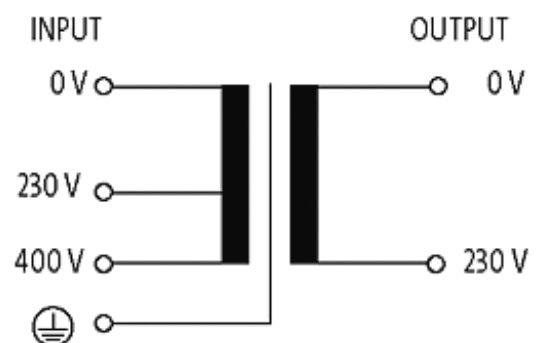
P: 250VA IN: 230/400VAC OUT: 230VAC

Single-phase - Control and Isolation Transformers  
 250 VA  
 Isolation class T 40/B  
 Protection IP20

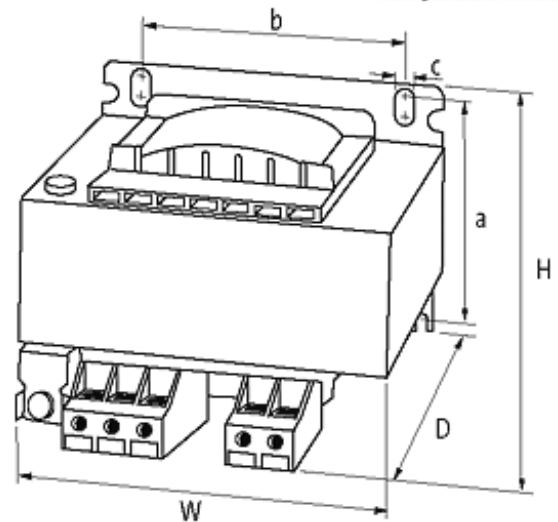
Other voltages on request.

### [Link to Product](#)

#### Illustration



stay connected



Product may differ from Image

### Approvals



### Input

|                       |                                      |
|-----------------------|--------------------------------------|
| Input voltage         | 230/400 V AC                         |
| Frequency             | 50...60 Hz                           |
| Input current         | 1.17 A (230 V AC); 0.67 A (400 V AC) |
| Inrush current        | 8.35 A (230 V AC); 4.82 A (400 V AC) |
| Short-circuit current | 17 A (230 V AC); 9.8 A (400 V AC)    |

### General data

|                          |  |
|--------------------------|--|
| Standards                | (EN 61558-1), (EN 61558-2-4), (EN 62041 category 0)      |
| Test isolation voltage   | 4 kV (prim./sec.)  |
| Mounting method          | Long-hole mounting or DIN-rail mountable TH35 (EN 60715) |
| Temperature range        | -20...+40 °C, no condensation                            |
| Dimensions H x W x D     | 102x96x108 mm  |
| Fixing centers a x b x c | 86.5x84x4.8 mm   |
| Drill hole Ø             | 4.8x8.4 mm   |

### Output

|                |          |
|----------------|----------|
| Output voltage | 230 V AC |
|----------------|----------|

### Commercial data

|                        |          |
|------------------------|----------|
| country of origin      | CZ       |
| customs tariff number  | 85043180 |
| minimum order quantity | 1        |