



CIRCUIT-BREAKER SZ S00, FOR MOTOR PROTECTION, CLASS 10, A-RELEASE 9..12.5A, N-RELEASE 163A, SCREW CONNECTION, STANDARD SW. CAPACITY W. TRANSVERSE AUX. SWITCH 1NO+1NC

product brand name		SIRIUS
Product designation		3RV2 circuit breaker

General technical data:		
Active power loss total typical	W	7
Insulation voltage	V	690
<ul style="list-style-type: none"> <li>with degree of pollution 3 Rated value</li> </ul>		
Shock resistance		25g / 11 ms
<ul style="list-style-type: none"> <li>acc. to IEC 60068-2-27</li> </ul>		
Surge voltage resistance Rated value	kV	6
Mechanical service life (switching cycles)		
<ul style="list-style-type: none"> <li>of the main contacts typical</li> </ul>		100 000
<ul style="list-style-type: none"> <li>of the auxiliary contacts typical</li> </ul>		100 000
Electrical endurance (switching cycles)		
<ul style="list-style-type: none"> <li>typical</li> </ul>		100 000
Temperature compensation	°C	-20 ... +60
Size of contactor can be combined company-specific		S2
Protection class IP		
<ul style="list-style-type: none"> <li>on the front</li> </ul>		IP20
<ul style="list-style-type: none"> <li>of the terminal</li> </ul>		IP20
Type of protection		Increased safety
Equipment marking		
<ul style="list-style-type: none"> <li>acc. to DIN EN 81346-2</li> </ul>		Q

Main circuit:		
Number of poles for main current circuit		3

<b>Adjustable response value current of the current-dependent overload release</b>	A	9 ... 12.5
<b>Operating voltage</b>		
• Rated value	V	690
• at AC-3 Rated value maximum	V	690
Operating frequency Rated value	Hz	50 ... 60
<b>Operating current Rated value</b>	A	12.5
<b>Operating current</b>		
• at AC-3		
— at 400 V Rated value	A	12.5
<b>Operating power</b>		
• at AC-3		
— at 230 V Rated value	W	3 000
— at 400 V Rated value	W	5 500
— at 500 V Rated value	W	7 500
— at 690 V Rated value	W	7 500
<b>Operating frequency</b>		
• at AC-3 maximum	1/h	15

#### Auxiliary circuit:

<b>Number of NC contacts</b>		
• for auxiliary contacts		1
<b>Number of NO contacts</b>		
• for auxiliary contacts		1
<b>Number of CO contacts</b>		
• for auxiliary contacts		0
<b>Product expansion Auxiliary switch</b>		Yes
<b>Design of the auxiliary switch</b>		transverse
<b>Operating current of the auxiliary contacts at AC-15</b>		
• at 24 V	A	2
• at 120 V	A	0.5
• at 125 V	A	0.5
• at 230 V	A	0.5
<b>Operating current of the auxiliary contacts at DC-13</b>		
• at 24 V	A	1
• at 60 V	A	0.15

#### Protective and monitoring functions:

<b>Trip class</b>		CLASS 10
<b>Design of the overload circuit breaker</b>		thermal
<b>Operational short-circuit current breaking capacity (Ics) with AC</b>		
• at 240 V Rated value	kA	100
• at 400 V Rated value	kA	100

<ul style="list-style-type: none"> <li>• at 500 V Rated value</li> <li>• at 690 V Rated value</li> </ul>	kA	42
	kA	4
<b>Maximum short-circuit current breaking capacity (Icu)</b>		
<ul style="list-style-type: none"> <li>• with AC at 240 V Rated value</li> <li>• with AC at 400 V Rated value</li> <li>• with AC at 500 V Rated value</li> <li>• with AC at 690 V Rated value</li> </ul>	kA	100
	kA	100
	kA	42
	kA	6
<b>Breaking capacity short-circuit current (Icn)</b>		
<ul style="list-style-type: none"> <li>• with 1 current path for DC at 150 V Rated value</li> <li>• with 2 current paths in series for DC at 300 V Rated value</li> <li>• with 3 current paths in series for DC at 450 V Rated value</li> </ul>	kA	10
	kA	10
	kA	10
<b>Response value current of the instantaneous short-circuit release</b>	A	163

**UL/CSA ratings:**

<b>Full-load current (FLA) for three-phase AC motor</b>		
<ul style="list-style-type: none"> <li>• at 480 V Rated value</li> <li>• at 600 V Rated value</li> </ul>	A	12.5
	A	12.5
<b>yielded mechanical performance [hp]</b>		
<ul style="list-style-type: none"> <li>• for single-phase AC motor at 110/120 V Rated value</li> <li>• for single-phase AC motor at 230 V Rated value</li> <li>• for three-phase AC motor at 200/208 V Rated value</li> <li>• for three-phase AC motor at 220/230 V Rated value</li> <li>• for three-phase AC motor at 460/480 V Rated value</li> <li>• for three-phase AC motor at 575/600 V Rated value</li> </ul>	metric hp	0.5
	metric hp	2
	metric hp	3
	metric hp	3
	metric hp	7.5
	metric hp	10
<b>Contact rating of the auxiliary contacts acc. to UL</b>		C300 / R300

**Short-circuit:**

<b>Product function Short circuit protection</b>		Yes
<b>Design of the short-circuit trip</b>		magnetic
<b>Design of the fuse link</b>		
<ul style="list-style-type: none"> <li>• for short-circuit protection of the auxiliary switch required</li> </ul>		Fuse gL/gG: 10 A, miniature circuit breaker C 6 A (short-circuit current I <sub>k</sub> < 400 A)
<b>Design of the fuse link for IT network for short-circuit protection of the main circuit</b>		
<ul style="list-style-type: none"> <li>• at 400 V</li> <li>• at 500 V</li> </ul>		gL/gG 63 A gL/gG 50 A

- at 690 V

gL/gG 40 A

### Installation/ mounting/ dimensions:

<b>mounting position</b>		any
<b>Mounting type</b>		screw and snap-on mounting onto 35 mm standard mounting rail according to DIN EN 60715
<b>Height</b>	mm	97
<b>Width</b>	mm	45
<b>Depth</b>	mm	96
<b>Required spacing</b>		
<ul style="list-style-type: none"> <li>• with side-by-side mounting           <ul style="list-style-type: none"> <li>— forwards</li> <li>— Backwards</li> <li>— upwards</li> <li>— downwards</li> <li>— at the side</li> </ul> </li> <li>• for grounded parts           <ul style="list-style-type: none"> <li>— forwards</li> <li>— Backwards</li> <li>— upwards</li> <li>— at the side</li> <li>— downwards</li> </ul> </li> <li>• for live parts           <ul style="list-style-type: none"> <li>— forwards</li> <li>— Backwards</li> <li>— upwards</li> <li>— downwards</li> <li>— at the side</li> </ul> </li> </ul>	mm	0 0 50 50 0  0 0 50 30 50  0 0 50 50 30

### Connections/ Terminals:

<b>Type of electrical connection</b>		
<ul style="list-style-type: none"> <li>• for main current circuit</li> <li>• for auxiliary and control current circuit</li> </ul>		screw-type terminals screw-type terminals
<b>Arrangement of electrical connectors for main current circuit</b>		Top and bottom
<b>Product function</b>		
<ul style="list-style-type: none"> <li>• removable terminal for auxiliary and control circuit</li> </ul>		No
<b>Type of connectable conductor cross-section</b>		
<ul style="list-style-type: none"> <li>• for main contacts           <ul style="list-style-type: none"> <li>— single or multi-stranded</li> <li>— finely stranded with core end processing</li> </ul> </li> <li>• for AWG conductors for main contacts</li> </ul>		2x (0,75 ... 2,5 mm <sup>2</sup> ), 2x 4 mm <sup>2</sup> 2x (0.5 ... 1.5 mm <sup>2</sup> ), 2x (0.75 ... 2.5 mm <sup>2</sup> ) 2x (18 ... 14), 2x 12

<ul style="list-style-type: none"> <li>• for auxiliary contacts <ul style="list-style-type: none"> <li>— single or multi-stranded</li> <li>— finely stranded with core end processing</li> </ul> </li> <li>• for AWG conductors for auxiliary contacts</li> </ul>		2x (0,5 ... 1,5 mm <sup>2</sup> ), 2x (0,75 ... 2,5 mm <sup>2</sup> ) 2x (0.5 ... 1.5 mm <sup>2</sup> ), 2x (0.75 ... 2.5 mm <sup>2</sup> ) 2x (20 ... 16), 2x (18 ... 14)
<b>Tightening torque</b>		
<ul style="list-style-type: none"> <li>• for main contacts with screw-type terminals</li> </ul>	N·m	0.8 ... 1.2
<b>Design of screwdriver shaft</b>		Diameter 5 to 6 mm
<b>Design of the thread of the connection screw</b>		
<ul style="list-style-type: none"> <li>• for main contacts</li> <li>• of the auxiliary and control contacts</li> </ul>		M3 M3

#### Safety related data:

<b>B10 value with high demand rate acc. to SN 31920</b>		50 000
<b>Proportion of dangerous failures</b>		
<ul style="list-style-type: none"> <li>• with low demand rate acc. to SN 31920</li> </ul>	%	40
<ul style="list-style-type: none"> <li>• with high demand rate acc. to SN 31920</li> </ul>	%	40
<b>Failure rate [FIT] with low demand rate acc. to SN 31920</b>	FIT	50
<b>T1 value for proof test interval or service life acc. to IEC 61508</b>	y	10
<b>Protection against electrical shock</b>		finger-safe

#### Mechanical data:

<b>Size of the circuit-breaker</b>		S00
------------------------------------	--	-----

#### Ambient conditions:

<b>Installation altitude at height above sea level maximum</b>	m	2 000
<b>Ambient temperature</b>		
<ul style="list-style-type: none"> <li>• during operation</li> </ul>	°C	-20 ... +60
<ul style="list-style-type: none"> <li>• during storage</li> </ul>	°C	-50 ... +80
<ul style="list-style-type: none"> <li>• during transport</li> </ul>	°C	-50 ... +80
<b>Relative humidity during operation</b>	%	10 ... 95

#### Display:

<b>Display version</b>		
<ul style="list-style-type: none"> <li>• for switching status</li> </ul>		Handle

#### Certificates/ approvals:

General Product Approval	Declaration of Conformity
--------------------------	---------------------------



[KTL](#)



Test Certificates	Shipping Approval
-------------------	-------------------

[Type Test Certificates/Test Report](#)

[Declaration of the Compliance with the order](#)

[Special Test Certificate](#)



Shipping Approval	other
-------------------	-------



[Confirmation](#)

other
-------

[Environmental Confirmations](#)



[other](#)

Further information
---------------------

**Information- and Downloadcenter (Catalogs, Brochures,...)**

<http://www.siemens.com/industrial-controls/catalogs>

**Industry Mall (Online ordering system)**

<http://www.siemens.com/industrymall>

**Cax online generator**

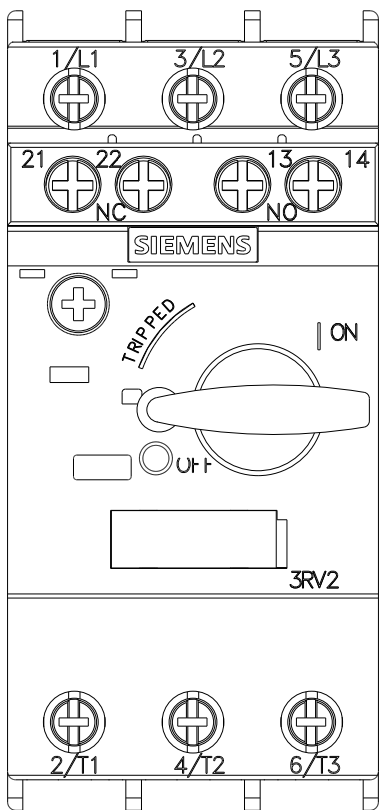
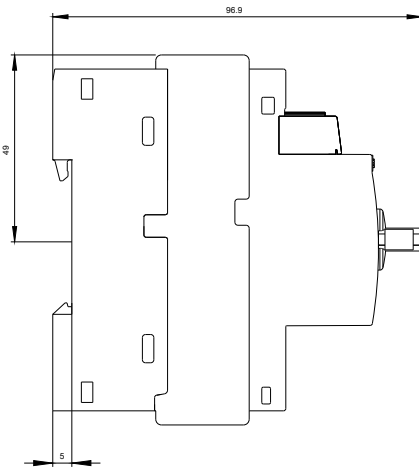
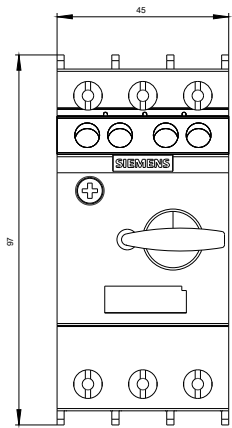
<http://support.automation.siemens.com/WW/CAXorder/default.aspx?lang=en&mlfb=3RV20111KA15>

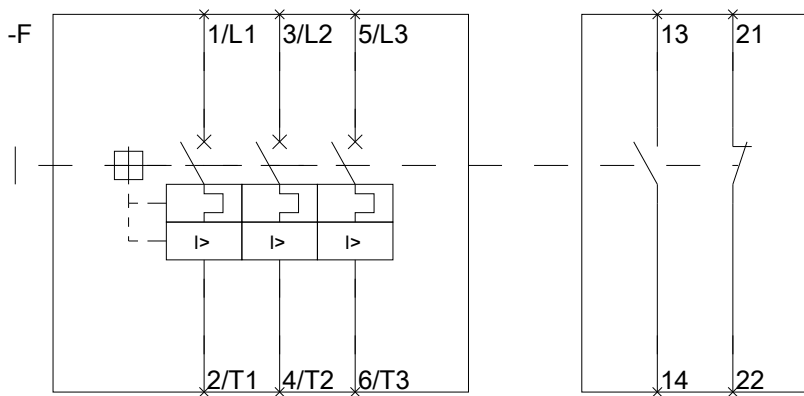
**Service&Support (Manuals, Certificates, Characteristics, FAQs,...)**

<http://support.automation.siemens.com/WW/view/en/3RV20111KA15/all>

**Image database (product images, 2D dimension drawings, 3D models, device circuit diagrams, EPLAN macros, ...)**

[http://www.automation.siemens.com/bilddb/cax\\_de.aspx?mlfb=3RV20111KA15&lang=en](http://www.automation.siemens.com/bilddb/cax_de.aspx?mlfb=3RV20111KA15&lang=en)





last modified:

11.03.2015