

## Keystone Housing Range



### Keystone Housing (KH1, KH2, KH4, KH6, KH8, KH12)

This range of housings enable all kinds of connectivity to be accommodated, in a junction box, in a wall socket or in an enclosure. The vast majority of our wide range of voice, data and AV keystone connectors can be used with these housings and indeed, they are perfect for multimedia installations. Versions are available for easy snap-in mounting of one, two, four, six, eight or twelve keystone modules.

#### Features

- 1, 2, 4, 6, 8 or 12 keystone ports 19.2 x 14.9mm
- Cable routing 180°
- KH12 can accommodate six keystones with 180° cable routing, or twelve keystones. (Additional insert provided for 180° routing)
- Integrated labeling facility
- Operational temperature: -40°C ~ +70°C

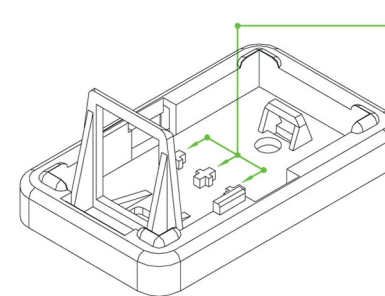
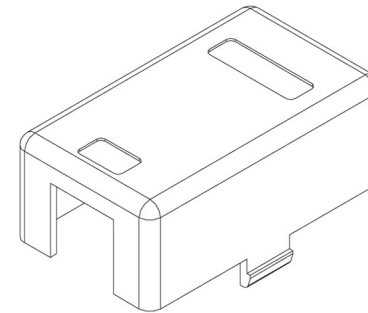
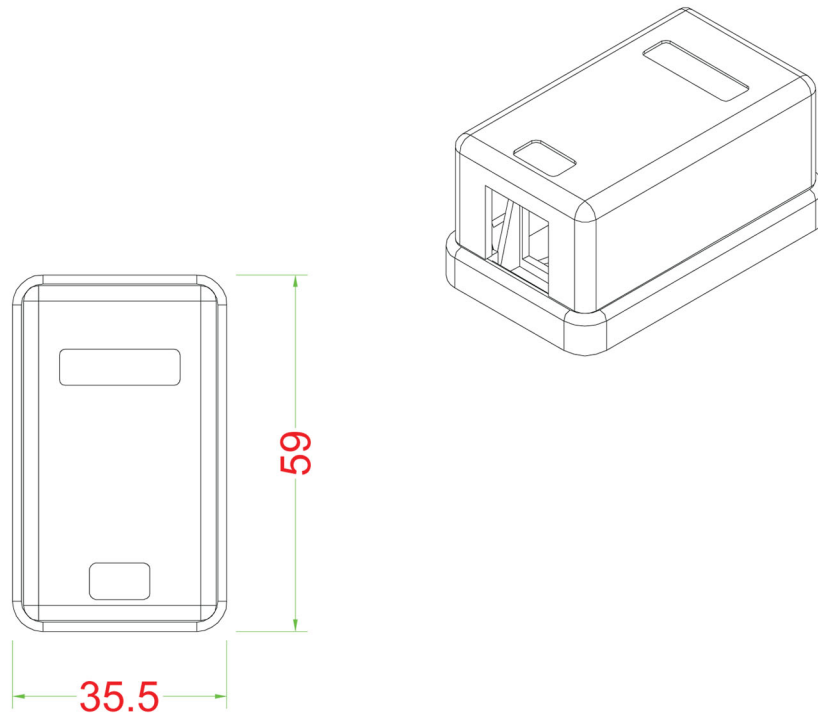
#### Specifications

- Colour: White
- Housing material: Fireproof ABS UL 94V-0

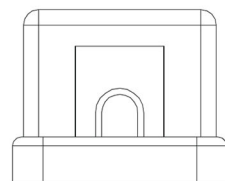
Product Code	Dimensions (LxWxH)	Weight (Approximately)	Screws	Adhesive pads
KH1	59 x 35.5 x 28.5 mm	14g	-	45 x 20 mm
KH2	59.0 x 61.5 x 28.5 mm	22g	-	45 x 40 mm
KH4	84.0 x 114.0 x 29.5 mm	78g	2 screws	45 x 40 mm (2)
KH6	84 x 166 x 30 mm	120g	2 screws	45 x 40 mm (2)
KH8	94.0 x 218.0 x 30.5 mm	180g	2 screws	45 x 40 mm (2)
KH12	171 x 111.6 x 38 mm	158g	6 screws	-

ROHS Compliant

**Code: KH1**




[Pruneable Design]  
Prune the pillar height to suit keystone base if necessary



**Materials:**

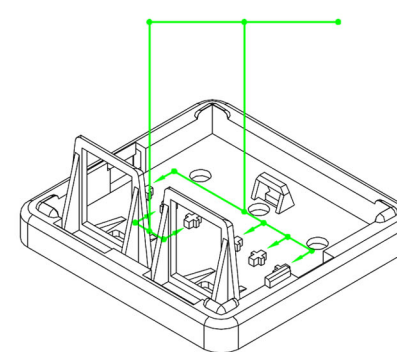
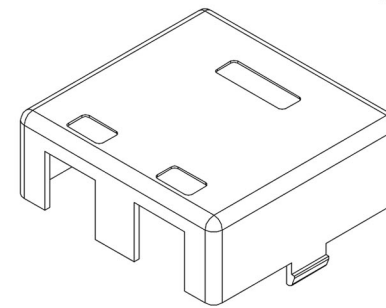
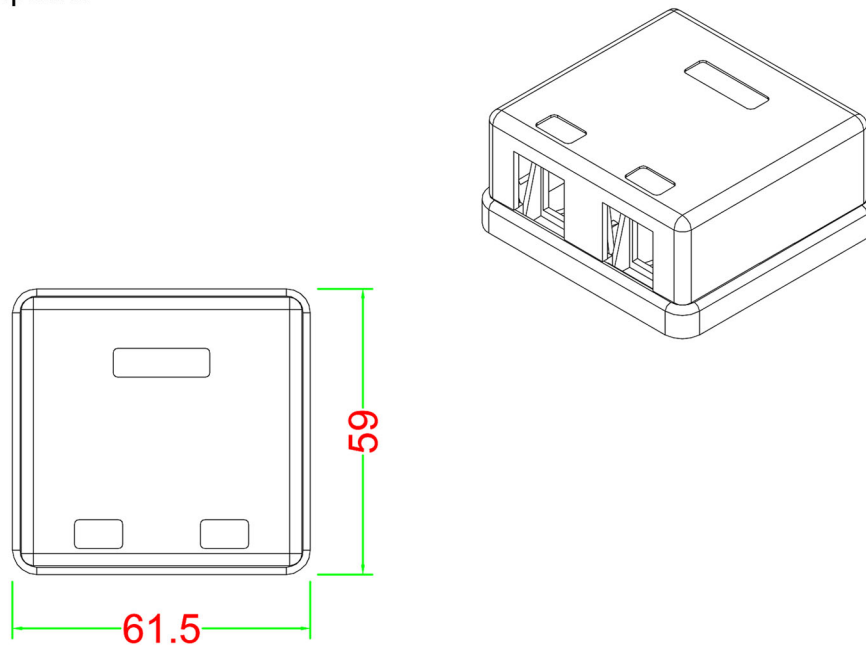
Body : Fireproof ABS UL-94V0

Operation Temperature : -40 °C ~ +70 °C

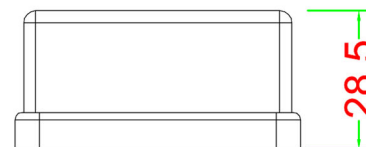
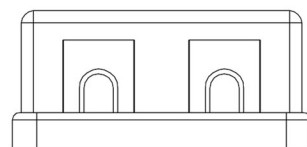
DRAW NO:		ITEM NO:	
 APPR		CUSTOMER:	
UNIT: m/m	DESIGN	DATE:	
SCALE:	Ref. NO:	TOLERANCE:	· ± 1 · X ± 0.2 · XX ± 0.15

**TUK Ltd**

ROHS Compliant

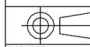
**Code: KH2**


[Pruneable Design]  
Prune the pillar height to suit keystone base if necessary


**Materials:**

Body : Fireproof ABS UL-94V0

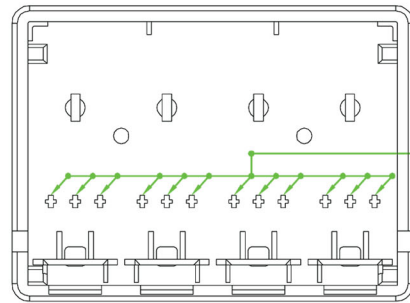
Operation Temperature : -40 °C ~ +70 °C

DRAW NO:		ITEM NO:	
 APPR		CUSTOMER:	
UNIT: m/m	DESIGN	DATE:	
SCALE:	Ref. NO:	TOLERANCE:	· ± 1 · X ± 0.2 · XX ± 0.15

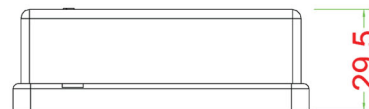
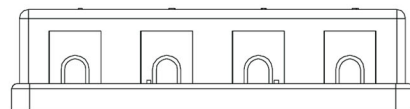
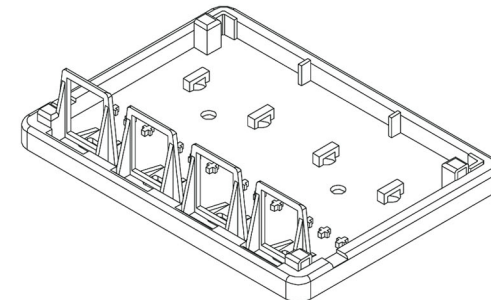
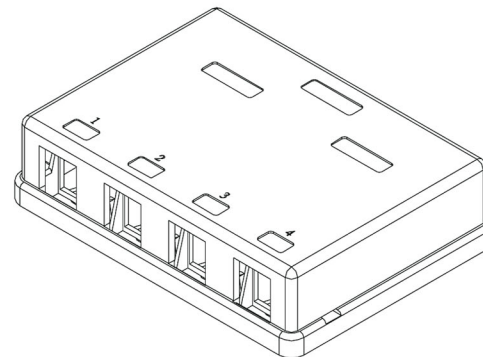
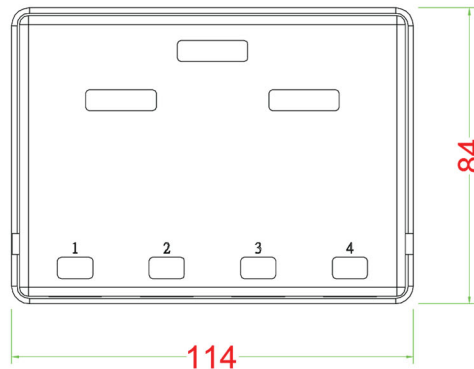
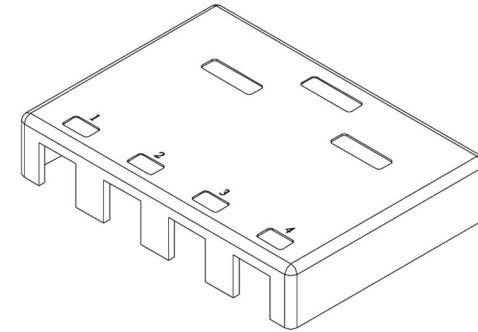
**TUK Ltd**

ROHS Compliant

**Code: KH4**




[Pruneable Design]  
Prune the pillar height  
to suit keystone base  
if necessary



**Materials:**

Body : Fireproof ABS UL-94V0

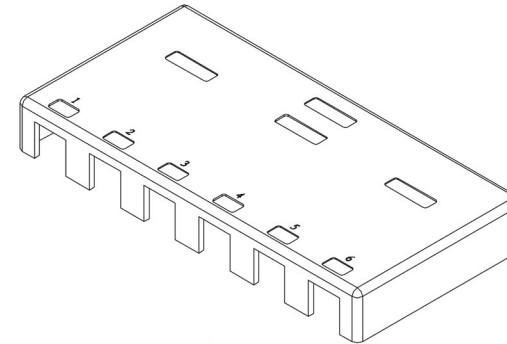
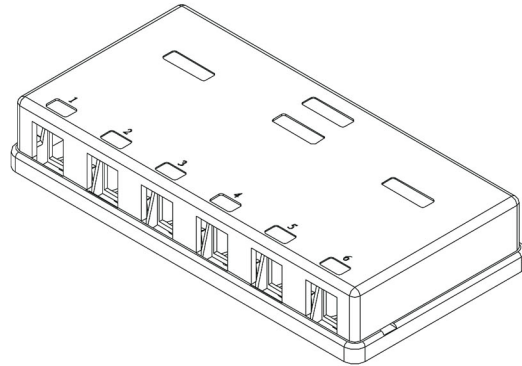
Operation Temperature : -40 °C ~ +70 °C

DRAW NO:		ITEM NO:	
 APPR		CUSTOMER:	
UNIT: m/m	DESIGN	DATE:	
SCALE:	Ref. NO:	TOLERANCE:	· ± 1 · X ± 0.2 · XX ± 0.15

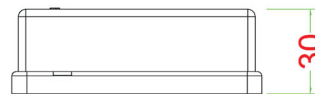
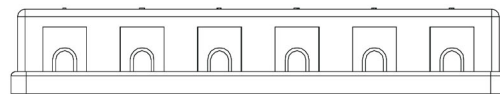
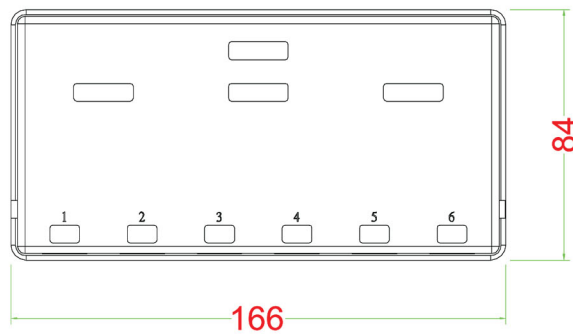
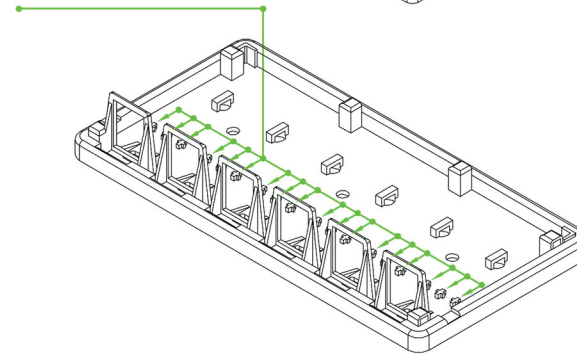
**TUK Ltd**

ROHS Compliant

Code: KH6



[Pruneable Design]  
Prune the pillar height  
to suit keystone base  
if necessary



**Materials:**

Body : Fireproof ABS UL-94V0

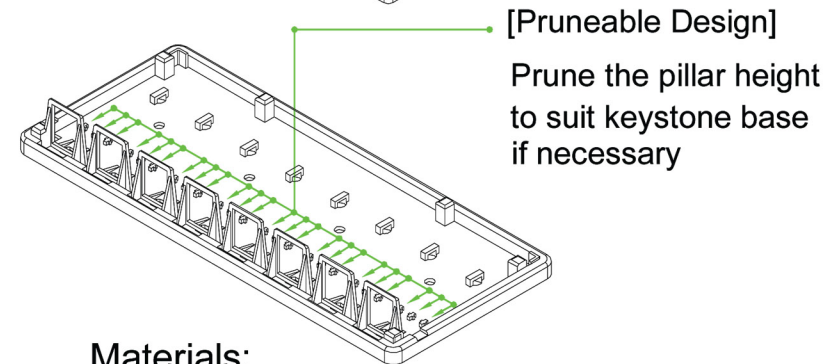
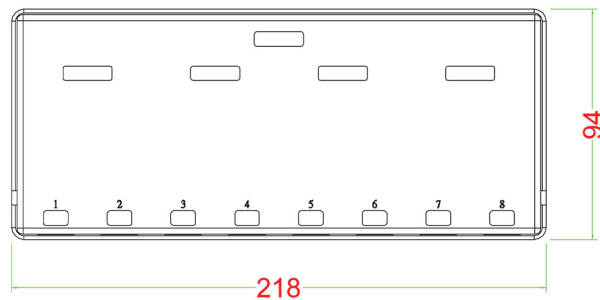
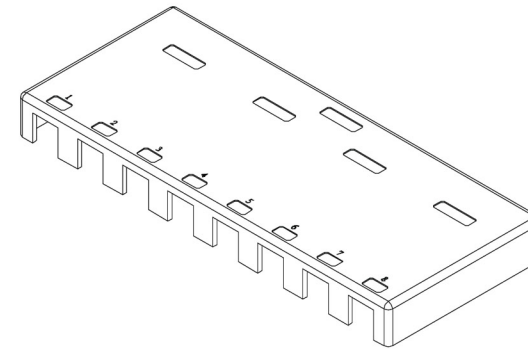
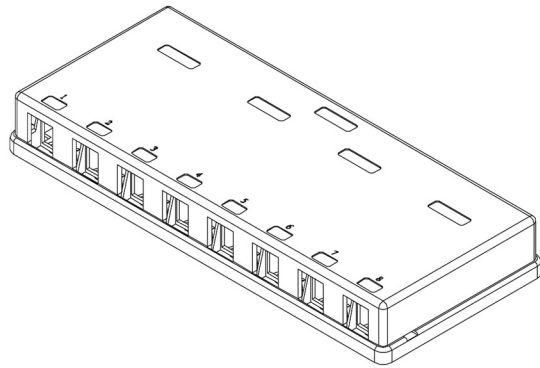
Operation Temperature : -40 °C ~ +70 °C

DRAW NO:		ITEM NO:	
UNIT:	APPR	CUSTOMER:	
m/m	DESIGN	DATE:	
SCALE:	Ref. NO:	TOLERANCE:	· ± 1 · X ± 0.2 · XX ± 0.15

**TUK Ltd**

ROHS Compliant

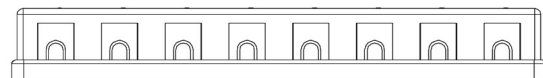
Code: KH8




**Materials:**

Body : Fireproof ABS UL-94V0

Operation Temperature : -40 °C ~ +70 °C

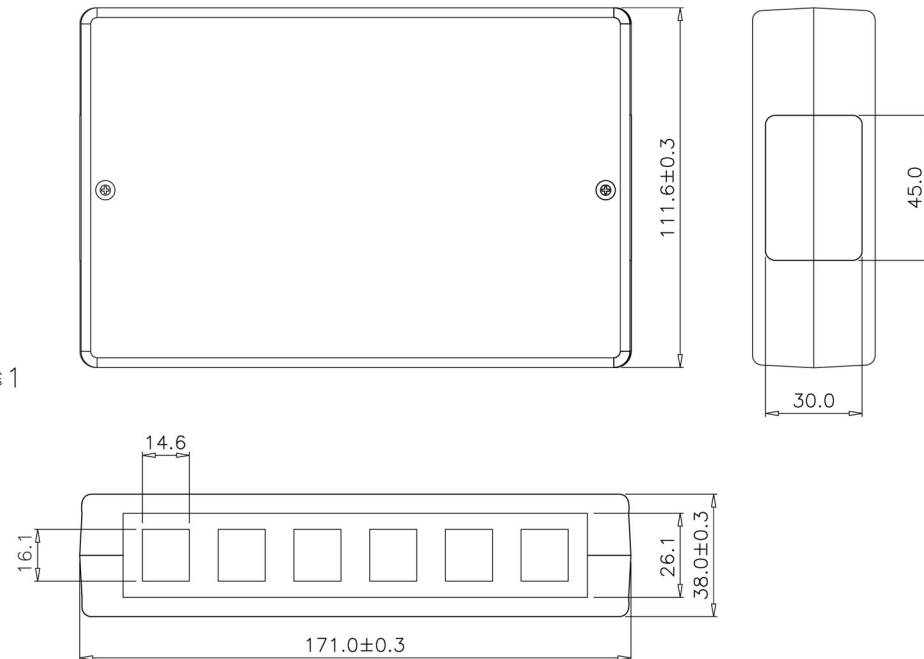
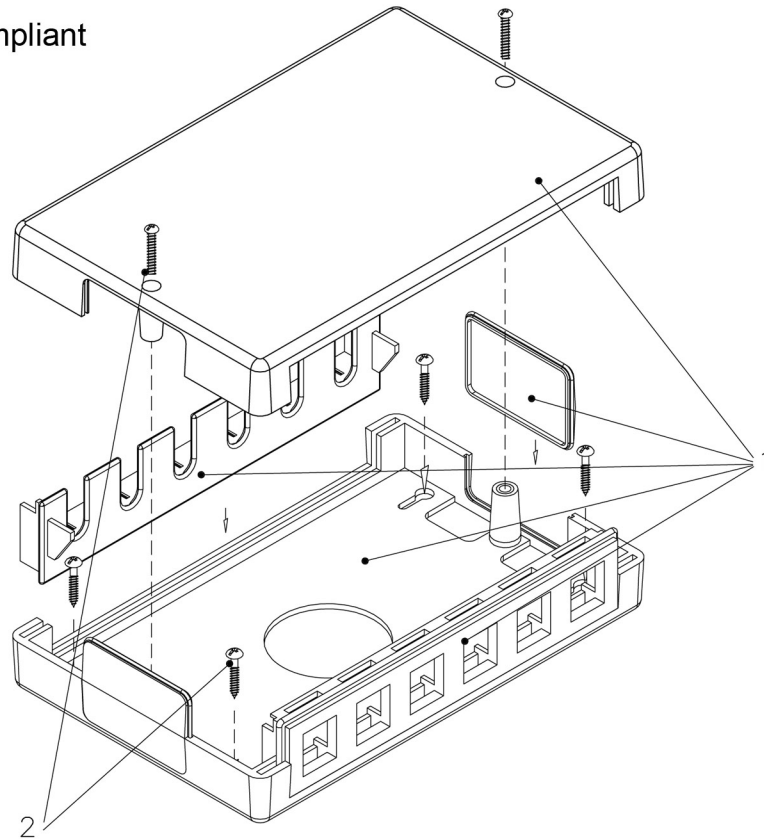


DRAW NO:		ITEM NO:	
 APPR		CUSTOMER:	
UNIT: m/m	DESIGN	DATE:	
SCALE:	Ref. NO:	TOLERANCE:	· ± 1 · X ± 0.2 · XX ± 0.15

**TUK Ltd**

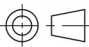

ROHS Compliant

**Code: KH12**



Specification :

1. Box Housing : ABS, UL 94V-0.
2. Screw : Screw cover and base : M3\*17/5.5mm  
Screw box onto wall : M3.5\*19.0/7.5mm

GENERAL TOLERANCE OF DIMENSIONS X.XXX ±0.005 X.XX ±0.05 X.X ±0.1	DRAWING				<b>TUK Ltd</b>
	CHECK				
	APPROVAL				
					ITEM NO.:
SCALE		1/2 (A4)	UNIT	mm	DES.: 12 PORT KEYSTONE HOUSING
		DRAWING NO.			
		DRAWING CLASSIFICATION		S	