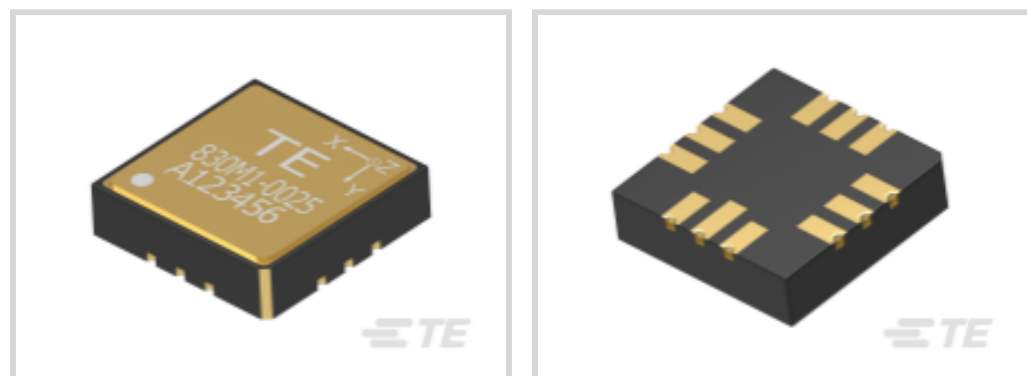




Sensors > Vibration Sensors > Embedded Accelerometers > Model 830M1 Triaxial SMT Accelerometers



Acceleration Range (±): 50 g

Frequency Response: 2 to 15000 Hz

Overall Acceleration Range (±): 50 g

Accelerometer Type: 3-Wire Voltage

Number of Axes: 3

## Features

### Product Type Features

Accelerometer Type	3-Wire Voltage
Embedded Accelerometer Sensor Type	AC Response Embedded Accelerometers

### Electrical Characteristics

Excitation Voltage	2.8 – 5.5 VDC
Full Scale Output Voltage	±1.25 VDC

### Signal Characteristics

Frequency Response	2 to 15000 Hz
--------------------	---------------

### Body Features

Material	Ceramic
Weight	1 g [.12 oz]
Number of Axes	3

### Mechanical Attachment

Embedded Accelerometer Mounting Type	Solder
--------------------------------------	--------

### Usage Conditions

Operating Temperature Range	-40 – 125 °C [-40 – 257 °F]
-----------------------------	-----------------------------

### Other

Nonlinearity	±2 %FSO
--------------	---------

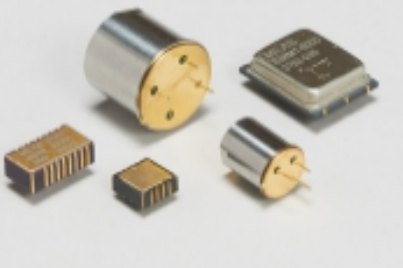
Acceleration Range (±)	50 g
Overall Acceleration Range (±)	50 g
Sensitivity	25 mV/g
Sensitivity Range	25 mV/g

## Compatible Parts



TE Part # CAT-EAC0023  
Model 830M1 Triaxial SMT Accelerometers

## Also in the Series | MEAS 830



Embedded Accelerometers(14)

## Customers Also Bought




TE Part #0460-202-16141  
DEUTSCH SOLID CONTACTS



TE Part #282080-1  
AMP SUPERSEAL 1.5MM, CONNECTOR HOUSING



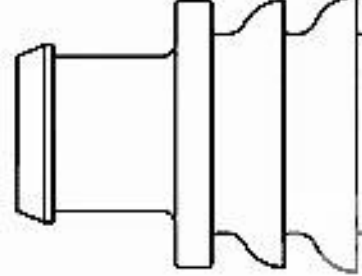
TE Part #206070-8  
CABLE CLAMP KIT #17



TE Part #DT04-2P  
DEUTSCH DT Series Housings & Connectors



TE Part #W2S  
DEUTSCH DT WEDGELOCKS



TE Part #281934-2  
SINGLE WIRE SEAL

## Documents



**CAD Files**

**3D PDF**

3D

**Customer View Model**

[ENG\\_CVM\\_CVM\\_20011423-00\\_B.2d\\_dxf.zip](#)

English

**Customer View Model**

[ENG\\_CVM\\_CVM\\_20011423-00\\_B.3d\\_igs.zip](#)

English

**Customer View Model**

[ENG\\_CVM\\_CVM\\_20011423-00\\_B.3d\\_stp.zip](#)

English

By downloading the CAD file I accept and agree to the [Terms and Conditions](#) of use.

**Datasheets & Catalog Pages**

[830M1\\_Triaxial\\_Accelerometer](#)

English