

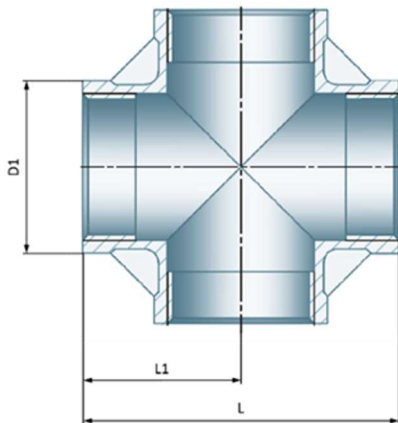
Data Sheet Gebo G316 Gewindefittings aus Edelstahl / Stainless steel threaded fittings

Code 6180

Kreuzstück – I/I/I/I – 4 Seiten gleich

Cross – F/F/F/F – equal

- Material: 1.4408
- Legierungsbestandteile / Alloying components in %:
C ≤ 0,07 – Cr 18,0-20,0 – Ni 9,0-12,0 – Mo 2,0-2,5
- Anschlussgewinde gemäß / Connection thread according to
DIN EN 10226 (ISO 7/1)



| Size | Code | mm | | | kg |
|--------|----------|-------|------|------|-------|
| | | L | L1 | Ø D1 | |
| 1/8" | 6180-018 | 34,0 | 17,0 | 13,0 | 0,035 |
| 1/4" | 6180-014 | 38,0 | 19,0 | 16,0 | 0,054 |
| 3/8" | 6180-038 | 46,0 | 23,0 | 20,0 | 0,082 |
| 1/2" | 6180-012 | 54,0 | 27,0 | 24,5 | 0,100 |
| 3/4" | 6180-034 | 64,0 | 32,0 | 30,0 | 0,151 |
| 1" | 6180-100 | 76,0 | 38,0 | 37,5 | 0,255 |
| 1 1/4" | 6180-114 | 90,0 | 45,0 | 46,5 | 0,445 |
| 1 1/2" | 6180-112 | 96,0 | 48,0 | 53,0 | 0,518 |
| 2" | 6180-200 | 114,0 | 57,0 | 65,5 | 0,890 |