


Universal Handles GT from Silicone or Rubber NBR

Material Type S: Elastomer silicone, black, hardness 70° +/-5° Shore A. Metall part stainless steel 1.4301 (AISI 304). 

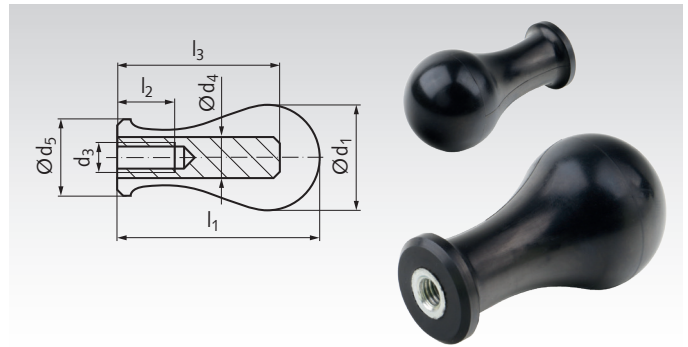
Material Type N: Elastomer NBR, black, hardness 75° +/-5° Shore A. Metall part stainless steel 1.4301 (AISI 304).

Versatile handle, with internal thread. Long shape with big ball-end, easy and safe to grip, also with thick gloves. On choice from silicone for food machines / household sector or from oil-resistant NBR for general use in mechanical engineering.

Temperature range type S: -55°C to +225°C.


Temperature range type N: -10°C to +100°C.

Ordering Details: e.g.: Product No. 662 400 04, Universal Handle GT Type S, 25mm



Product No. Type S	Product No. Type N	d ₁ mm	d ₃ mm	d ₄ mm	d ₅ mm	l ₁ mm	l ₂ mm	l ₃ mm	Weight g
662 400 04	662 401 04	25	M4	10	18	49	8	40	38
662 400 05	662 401 05	29	M5	10	21	57	10	45	44
662 400 06	662 401 06	33	M6	10	24	65	12	50	56
662 400 08	662 401 08	38	M8	13	27	73,5	16	58,5	98
662 400 10	662 401 10	42	M10	16	30	82	20	65	160

Universal Handles GT-A from Silicone or Rubber NBR, with Threaded Stud

Material Type S: Elastomer silicone, black, hardness 70° +/-5° Shore A. Metall part stainless steel 1.4301 (AISI 304). 

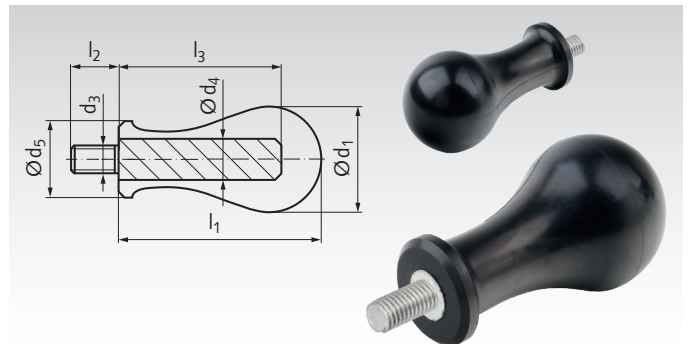
Material Type N: Elastomer NBR, black, hardness 75° +/-5° Shore A. Metall part stainless steel 1.4301 (AISI 304).

Versatile handle, with threaded stud. Long shape with big ball-end, easy and safe to grip, also with thick gloves. On choice from silicone for food machines / household sector or from oil-resistant NBR for general use in mechanical engineering.

Temperature range type S: -55°C to +225°C.

Temperature range type N: -10°C to +100°C.

Ordering Details: e.g.: Product No. 662 402 04, Universal Handle GT-A Type S, 25mm



Product No. Type S	Product No. Type N	d ₁ mm	d ₃ mm	d ₄ mm	d ₅ mm	l ₁ mm	l ₂ mm	l ₃ mm	Weight g
662 402 04	662 403 04	25	M4	10	18	49	6,5	40	39
662 402 05	662 403 05	29	M5	10	21	57	8	45	46
662 402 06	662 403 06	33	M6	10	24	65	9	50	59
662 402 08	662 403 08	38	M8	13	27	73,5	12	58,5	106
662 402 10	662 403 10	42	M10	16	30	82	15	65	175