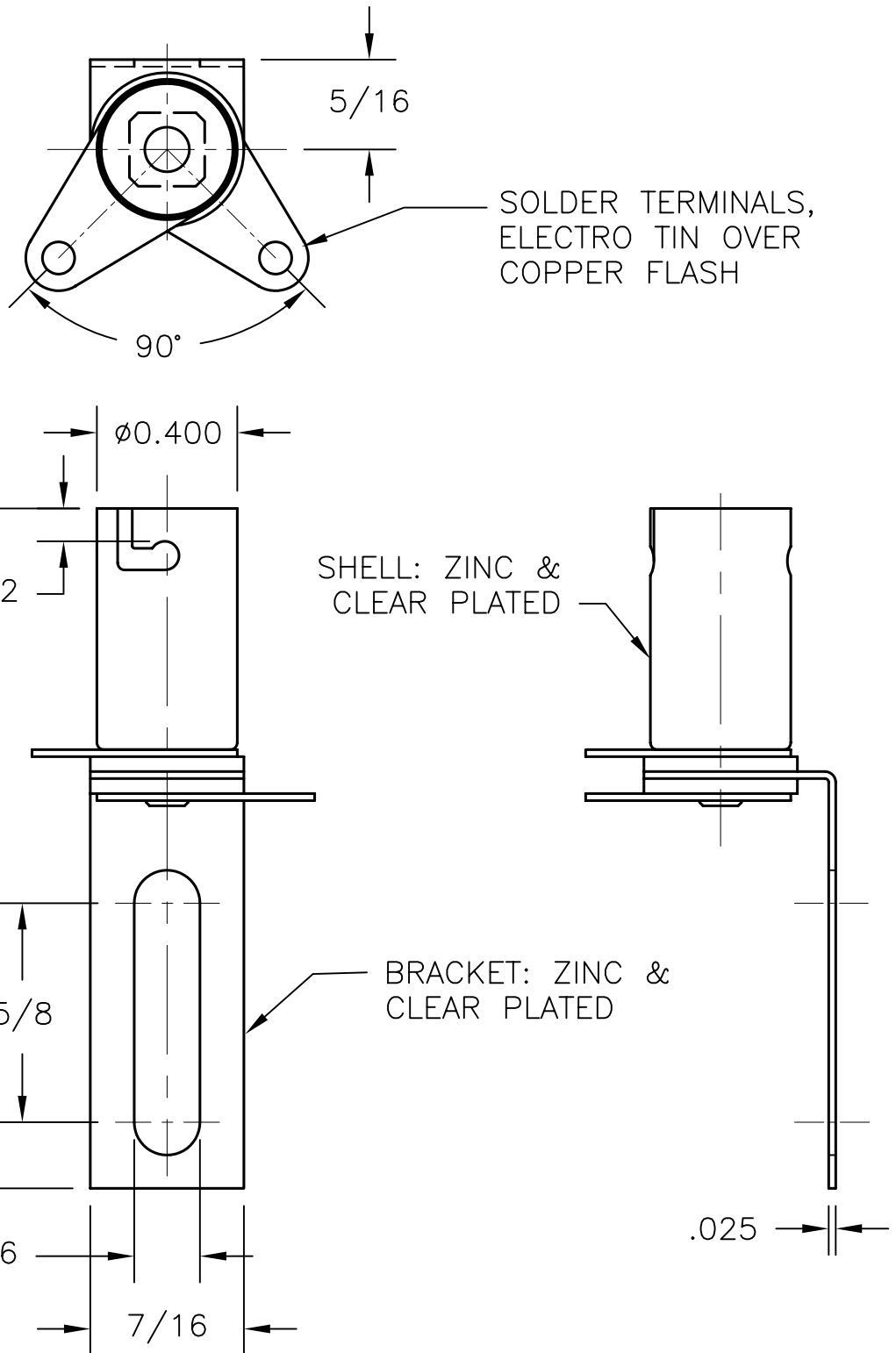


ALL RIGHTS RESERVED. NO PORTION OF THIS PUBLICATION, WHETHER IN WHOLE OR IN PART CAN BE REPRODUCED WITHOUT THE EXPRESS WRITTEN CONSENT OF SPC TECHNOLOGY.

REVISIONS			DOC. NO. SPC-F004 * Effective: 12/21/98 * DCP No: 680						
DCP #	REV	DESCRIPTION	DRAWN	DATE	CHECKD	DATE	APPRVD	DATE	
1946	A	RELEASED	SA	1/10/07	JWM	3/19/07	TL	3/19/07	



RoHS
Compliant



SPC-F004.DWG

DISCLAIMER:
ALL STATEMENTS AND TECHNICAL INFORMATION CONTAINED HEREIN ARE BASED UPON INFORMATION AND/OR TESTS WE BELIEVE TO BE ACCURATE AND RELIABLE. SINCE CONDITIONS OF USE ARE BEYOND OUR CONTROL, THE USER SHALL DETERMINE THE SUITABILITY OF THE PRODUCT FOR THE INTENDED USE AND ASSUME ALL RISK AND LIABILITY WHATSOEVER IN CONNECTION THEREWITH.



SPC TECHNOLOGY

TOLERANCES UNLESS OTHERWISE SPECIFIED FRACTIONAL $\pm 1/64$ DECIMAL .XXX $\pm .005$ ANGULAR $\pm 1^\circ$	DRAWN BY:	DATE:	DRAWING TITLE:			
	SAMI ALNADI	1/10/07	INSULATED MINIATURE BAYONET BASE LAMPHOLDER			
	CHECKED BY:	DATE:	SIZE	DWG. NO.	ELECTRONIC FILE	REV
	JEFF MCVICKER	3/19/07	A	SPC21723	16M1214.DWG	A
APPROVED BY:	DATE:	SCALE: NTS		U.O.M.: INCHES		SHEET: 1 OF 1
THOMAS LEE	3/19/07					