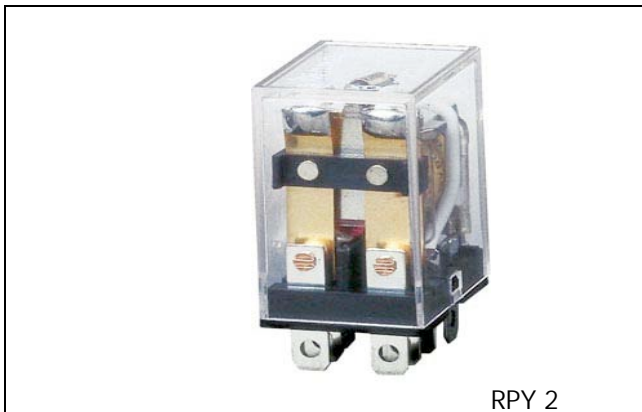


Midi Industrial relay  
 Type RPY 2 10A  
 Monostable



- High switching power
- Small size
- Wide range of applications
- 10A switching capacity
- 2 pole configuration
- Flanged (blade) pins 5mm
- DC coils from 6 to 240V
- AC coils from 6 to 380V
- High sensitivity
- Conforms to CE low voltage directive
- UL, CSA, TUV approved

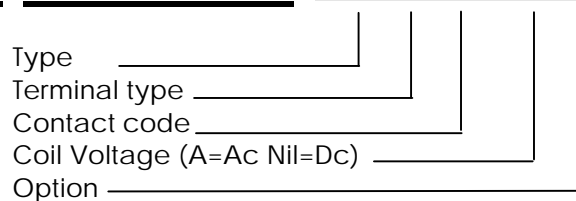
**Product Description**

The RPY relay can be used for a wide range of industrial applications.

Available in a 1, 2, 3, 4 pole change-over contact configuration. Its wide terminals allow reliability at big currents.

**Ordering Key**

RPY A 002 A24 L



**Approvals**



- Options!:
- Nil = Standard
  - L = LED
  - T = Test button
  - G = Gold plated Contacts
  - D = Free wheeling diode
  - F = Flange mount
  - F1= Lateral Flange

Terminal type A = Plug in terminals, blades  
 B = PCB terminals

**Type Selection**

Contact configuration	Contact rating	Contact code
2 change over contacts (DPDT- 2 form C)	10A	002

**Coil Characteristics, DC (@25 °C), coil power 900mW**

Nominal Voltage VDC	Pick-up Voltage VDC	Drop-out Voltage VDC	Max.Allowed Voltage VDC	Coil Current mA	Coil Resistance <b>W</b>
6	4.5	0.60	6.6	150	40
9	6.75	0.90	9.9	100	90
12	9	1.20	13.2	75	160
24	18	2.40	26.4	36.9	650
36	27	3.60	39.6	24	1500
48	36	4.80	52.8	18.5	2600
100	75	10.0	110	9.09	11000
110	82.5	11.0	121	10	11000
220	165	22.0	242	5.24	42000
240	180	24.0	264	3.75	64000

Specifications are subject to change without notice



Coil Characteristics, AC (@25 °C), coil power 1.2VA

Nominal Voltage VAC	Pick-up Voltage VAC	Drop-out Voltage VAC	Max.Allowed Voltage VAC	Coil Current mA		Coil Resistance <b>W</b>
				50Hz	60Hz	
6	4.8	1.8	6.6	230	200	11.5
12	9.6	3.6	13.2	120	100	40
24	19.2	7.2	26.4	57.5	50	160
36	28.8	10.8	39.6	38	33	370
48	38.4	14.4	52.8	28.75	25	600
110	88	33.0	121	12.7	11	3750
120	96	36.0	142	11.5	10	3900
220	176	66.0	242	6.3	5.5	13000
240	192	72.0	264	5.75	5	18790
380	304	114	418	3.62	3.15	42000

Contact Characteristics

Contact Rating (With resistive load)	10A - 250VAC	Max Switching Power	2500VA / 280W
Usually rating	10A-250VAC / 28VDC	Life	
Material	AgSnO <sub>2</sub>	Electrical life	1x10 <sup>5</sup> cycles (3600 ops/h)
Contact Resistance	50mW	Mechanical	1x10 <sup>7</sup> cycles (18000 ops/h)
Current		UL/CSA ratings	1/2Hp 120Vac
Max. switching current	10A		3/4Hp 220Vac

Insulation

Test voltage(1min.)		Insulation	
Between coil and contacts	2000VAC	According to EN61810-5	
Between open contacts	1200VAC	Rated insulation voltage	250V
Contact / contact	1200VAC	Impulsive insulation	2KV
Insulation resistance	1000MW - 500V	Overvoltage category	II

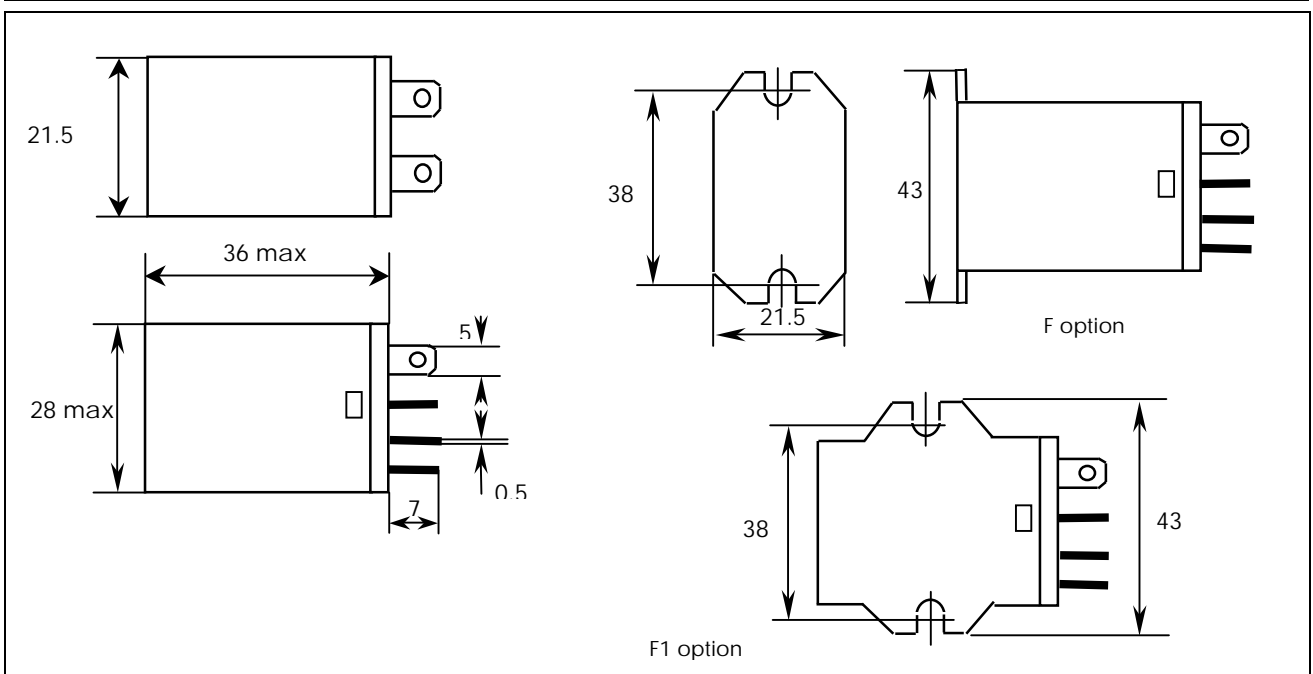
General Data

Nominal coil power	0.9W DC - 1.2VA AC	Vibration resistance	10 to 55Hz 1mm
Operating time	20ms	Shock resistance	
(at nominal voltage)		Functional	98m/s <sup>2</sup> (10G)
Release time	20ms	Termination	Flanges ( blades ) 5 mm
(at nominal voltage)		Construction	Dust cover
Ambient temperature	- 25°C to + 55°C	Weight	35g
Ambient humidity	35% to 85%		

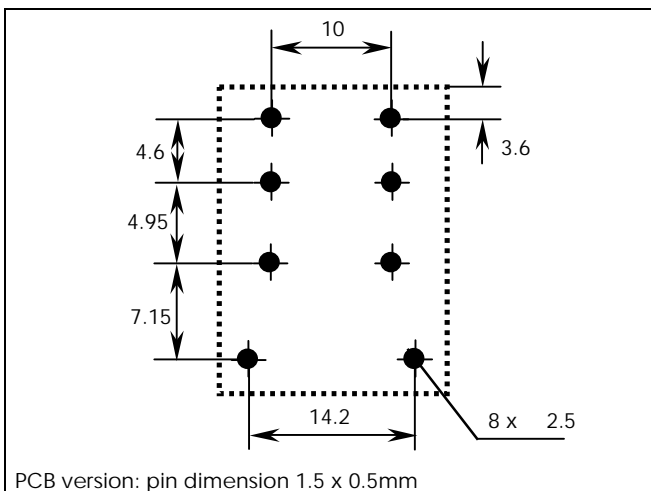
Midi Industrial relay  
 Type RPY 2 10A  
 Monostable



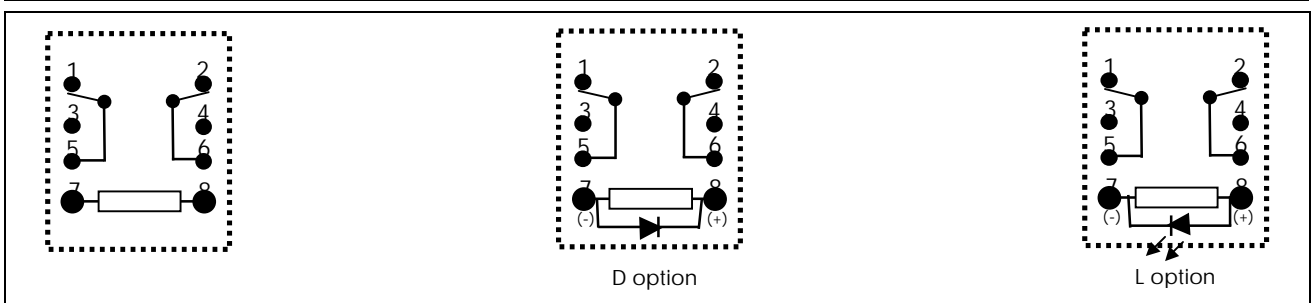
Dimensions (mm)



Pin View



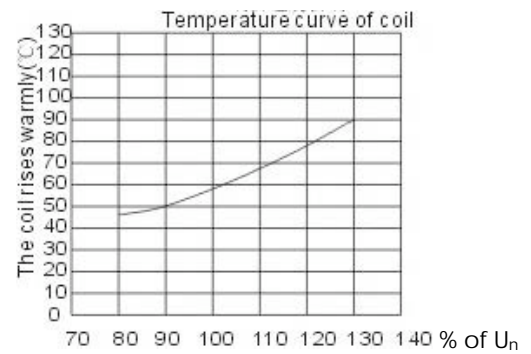
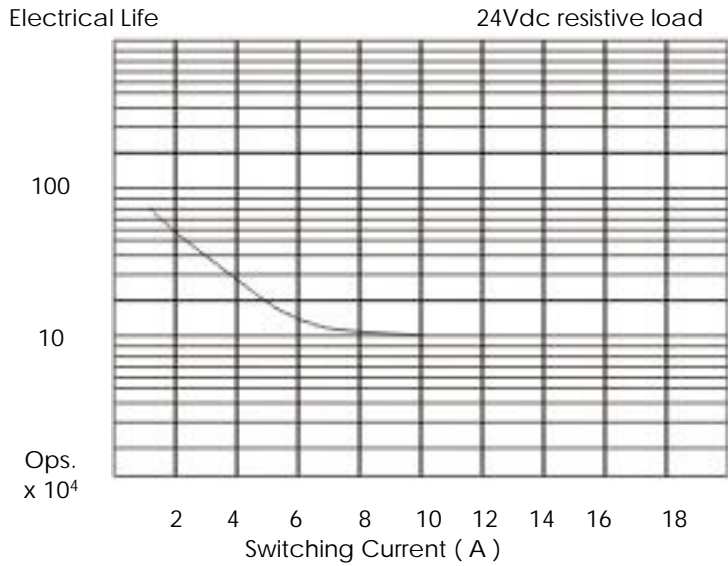
Wiring diagram



Specifications are subject to change without notice



## Diagrams



## Bases and Sockets

For RPY sockets refer to page xxx of general catalogue