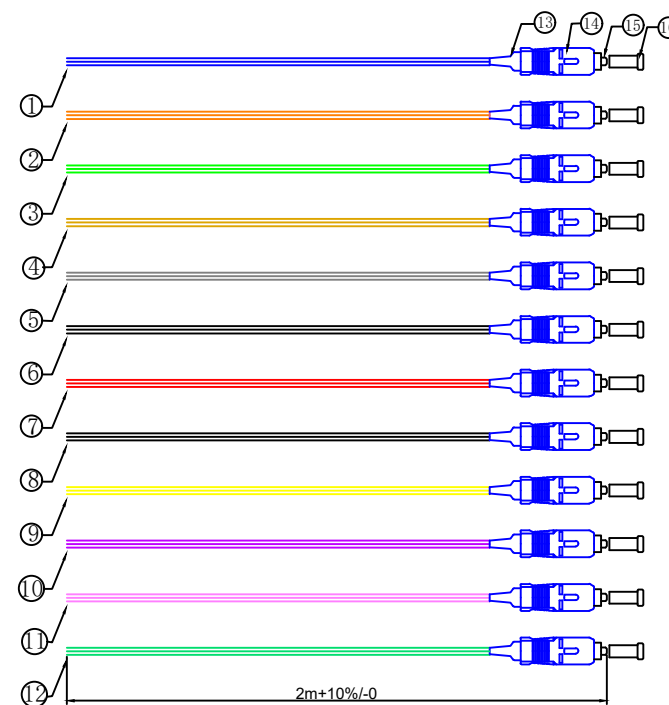


NOTE:

- 1.The primary coating and secondary coating have the same colour
- 2.Loose buffered,easy strip type at least 1m
- 3.ROHS 2.0 and REACH compliant



⑬	SC Transparent Dust Cap	12	
⑮	SC/UPC SM Ferrule	12	
⑭	SC 0.9 Blue Connector	12	
⑬	SC 0.9 Blue Boot	12	
⑫	Fiber Cable LOOSE TUBE OS2 G657. A2 9/125 0.9mm TURQUOISE LSZH	2m	
⑪	Fiber Cable LOOSE TUBE OS2 G657. A2 9/125 0.9mm PINK LSZH	2m	
⑩	Fiber Cable LOOSE TUBE OS2 G657. A2 9/125 0.9mm VIOLET LSZH	2m	
⑨	Fiber Cable LOOSE TUBE OS2 G657. A2 9/125 0.9mm YELLOW LSZH	2m	
⑧	Fiber Cable LOOSE TUBE OS2 G657. A2 9/125 0.9mm BLACK LSZH	2m	
⑦	Fiber Cable LOOSE TUBE OS2 G657. A2 9/125 0.9mm RED LSZH	2m	
⑥	Fiber Cable LOOSE TUBE OS2 G657. A2 9/125 0.9mm WHITE LSZH	2m	
⑤	Fiber Cable LOOSE TUBE OS2 G657. A2 9/125 0.9mm GREY LSZH	2m	
④	Fiber Cable LOOSE TUBE OS2 G657. A2 9/125 0.9mm BROWN LSZH	2m	
③	Fiber Cable LOOSE TUBE OS2 G657. A2 9/125 0.9mm GREEN LSZH	2m	
②	Fiber Cable LOOSE TUBE OS2 G657. A2 9/125 0.9mm ORANGE LSZH	2m	
①	Fiber Cable LOOSE TUBE OS2 G657. A2 9/125 0.9mm BLUE LSZH	2m	
NO	SPECIFICATION STANDARD	QT' Y	REMARK

Grade Designation:Each to Reference

Type	Single-Mode
Insertion Loss	≤0.3dB (IEC 61300-3-4)
Return Loss	≥50dB (IEC 61300-3-6)
Test Wavelength	1310nm

PACKING: PE BAG + LABEL + TEST REPORT

SYNERGY 21					
CUSTOMER		ITEM NO.		S215686V1	
PRODUCT NAME	Pigtailset SC/UPC OS2 G657. A2 12 different colours 0.9	manufacture country	CHINA	UNIT	MM
DRAWNBY	CHECKBY	APPOBY	DATE		
SYNERGY 21	SYNERGY 21	SYNERGY 21	2023-05-10		

		NEW		2023-05-10	A
BY	CHK	REVISION RECORD MODIFICATIONS		DATE	REV.