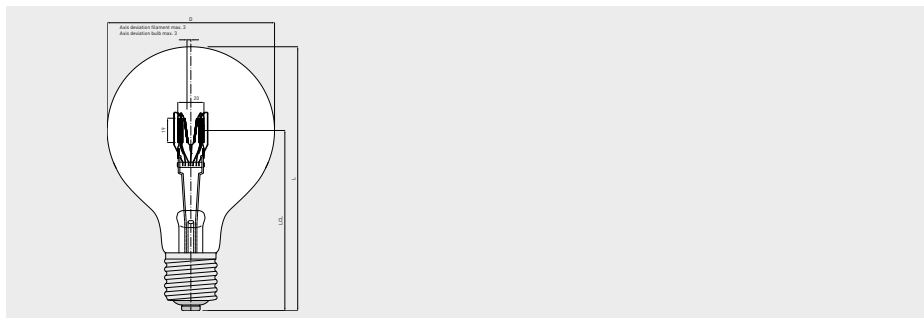


## Projection lamps

For studio and stage projectors

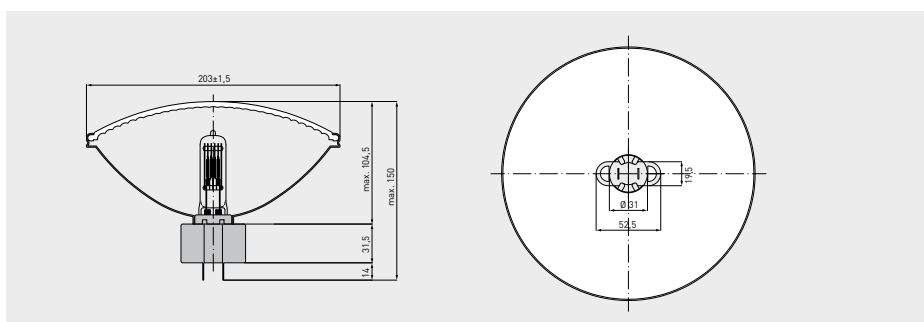
For special features, specific benefits and areas of use see page 137



Article no.	Description	V	W	Am- perage	Cap	Bulb diameter D max. mm	Total length L max. mm	Light centre length LCL mm	Luminous flux lm	Average life h	Individual life h	Burning position	PU
00843400	230V 1,000W E40 clear 130x211 clear	230	1,000		E40/45	131	211	140	18,000	500		S135	



Article no.	Description	V	W	Am- perage	Cap	Bulb diameter D max. mm	Total length L max. mm	Light centre length LCL mm	Luminous flux lm	Average life h	Individual life h	Burning position	PU
70945200	240V 500W P28s	240	500		P28s/33	96.5	137	55.6	9,900	200			



Article no.	Description	LIF Code	V	W	Am- perage	Cap	Diameter mm	Total length max. mm	Luminous flux cd	Average life h	Individual life h	Burning position	PU
00847886	PAR64 Alu VNSP	CP / 86	230	500		GX16d	203	150	245,000	300			
00847887	PAR64 Alu NSP	CP / 87	230	500		GX16d	203	150	145,000	300			
00877888	PAR64 Alu MFL	CP / 88	230	500		GX16d	203	150	700,000	300			
00847860	PAR64 Alu VNSP	CP / 60	230	1,000		GX16d	203	150	355,000	300			
00847861	PAR64 Alu NSP	CP / 61	230	1,000		GX16d	203	150	302,000	300			
00847862	PAR64 Alu MFL	CP / 62	230	1,000		GX16d	203	150	143,000	300			
00847960	PAR64 Alu VNSP		230	1,000		GX16d	203	150	320,000	800			
00847961	PAR64 Alu NSP		230	1,000		GX16d	203	150	270,000	800			
00847962	PAR64 Alu MFL		230	1,000		GX16d	203	150	115,000	800			