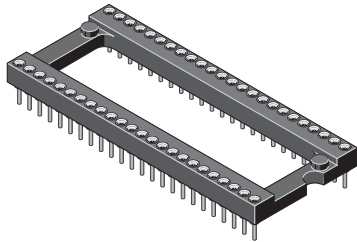


DIL SOCKETS „THROUGH HOLE“

ID: 012

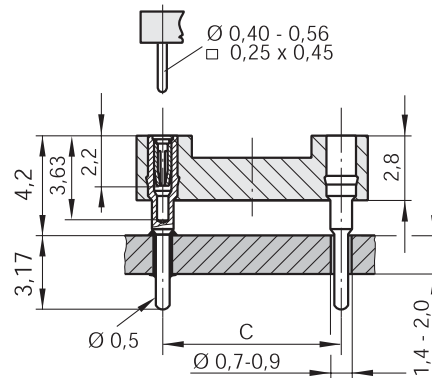
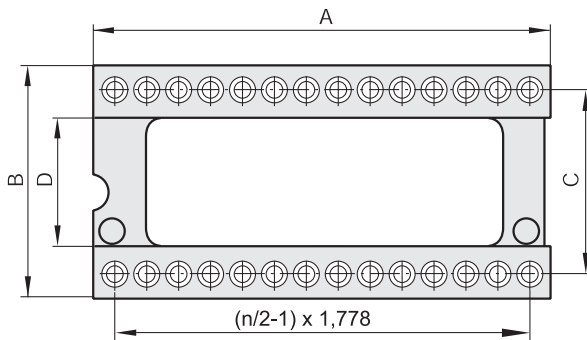
MP-SHRINK open frame

Series 121



TECHNICAL DATA

Pitch	1,778 mm
Insulating Material	high temp. thermoplast UL94V-0
Contact Material	Brass/BeCu
Rated Current	1 Amp.
Rated Voltage	100 V _{RMS} /150 V _{DC}
Breakdown Voltage	min. 1000 V _{RMS}
Operating Temperature	-55°C bis +125°C
Maximum Soldering Temperature	260°C for 10 seconds



Code	Poles	A	B	C	D
16.3	16	14,60	10,16	7,62	4,40
28.4	28	25,20	12,70	10,16	6,50
30.4	30	27,00	12,70	10,16	6,50
32.4	32	28,80	12,70	10,16	6,50
48.4	48	43,00	17,18	10,16	6,50
20.6	20	18,10	17,18	15,24	10,10
24.6	24	21,55	17,18	15,24	10,10
28.6	28	25,20	17,18	15,24	10,10
40.6	40	35,90	17,18	15,24	10,10
42.6	42	7,70	17,18	15,24	10,10
48.6	48	43,10	17,18	15,24	10,10
52.6	52	46,60	17,18	15,24	10,10
56.6	56	50,00	17,18	15,24	10,10
68.6	68	60,80	17,18	15,24	10,10
64.7	64	57,40	21,59	19,05	14,20

All dimensions in mm.
Other dimensions upon request.

MP XX.Y XX RM 1,778 U

Code: see table

XX: STG = sleeve: Sn/clip: Au
STG 8 = sleeve: Sn/clip: 0,75µm Au

U: RoHS-compliant with high temp. plastic