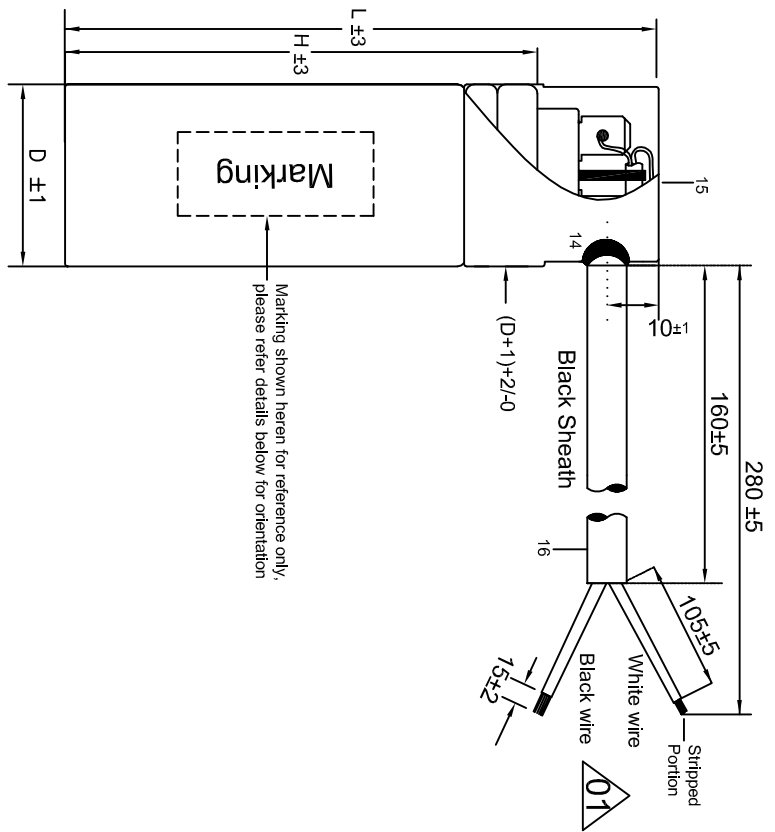
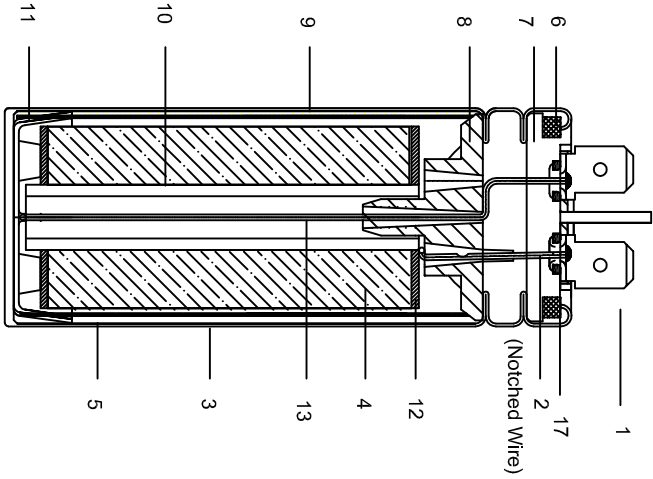


The reproduction, transmission or use of this document or its contents is not permitted without express written authority. Offenders will be liable for damages. All rights, including rights created by patent grant or registration of a utility model or

La divulgación y reproducción de este documento así como el aprovechamiento de su contenido, no están autorizados, a no ser que se obtenga el consentimiento expreso para ello. Los Infractores quedan obligados a la Indemnización por daños y perjuicios. Se reservan todos los derechos, en particular para el caso de concesión de Patente o de Modelo de utilidad.

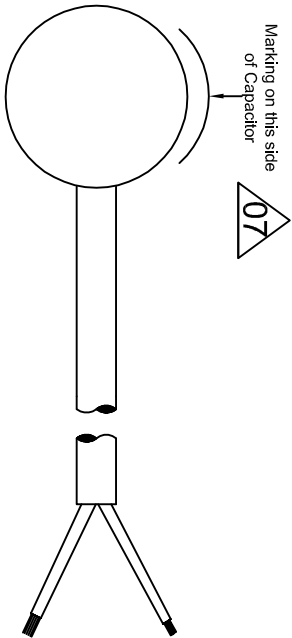
Weitergabe sowie Vervielfältigung dieser Unterlage, Verwertung und Mitteilung ihres Inhalts nicht gestattet, soweit nicht ausdrücklich zugestanden. Zuwiderhandlungen verpflichten zu Schadenersatz. Alle Rechte vorbehalten, insbesondere für den Fall der Patenterteilung oder GM-Eintragung.



Marking shown here for reference only, please refer details below for orientation

Table 2
List of components

Part Sr.No.	Part Description
1	Tin plated MS Double fast-on terminals 6.3x0.8 mm
2	Tin plated copper wire 18AWG
3	Aluminium Can
4	MPP Film Capacitor Element
5	Polyester Film for Insulation
6	Rubber Ring
7	Top Material UL 94 V0, IEC60335-1 compliance
8	Upper Insulation
9	Polyurethane Resin
10	Plastic Core
11	Bottom Insulation
12	Zinc Spray
13	Tin coated copper wire 19 SWG
14	Rubber Grommet
15	Aluminium Cap
16	Twin core cable 2/C 16 AWG (1.31MM ²) 90°C (UL) UL File No WATER RESISTANT SOOW
17	Rubber Ring For Lug



Grundfos Drawing Ref. ID 78 58

General tolerance		Surface quality		Scale: NTS All dimensions are in mm	
06	Marking orientation updated	10.08.21	SPD	Material : Refer Table No.2	Customer:
07	Cable pinning matter updated	26.09.20	SPD	MPP CAPACITOR SAFE DEVICE	
06	Marking consolidated	10.01.18	SPD	Date: 23.03.10	
06	K/COC removed from marking.			Drawn: BSR	
05	P2 to S2 changed. O/E marking added	09.03.16	VGS	Checked: RBE	
03	Tolerance changed from ±10 to ±5%	30.10.13	VGS	Standard: EN 60252	
02	Wiring / cable specifications revised	27.08.12	VGS		
01	Wire color and wire details changed	07.02.12	VGS		
Riv.	Modification	Date	Name	AL CAN CAPACITOR DFO WITH CAP. CABLE	

ROHS
compatible



Drawing no. GA1017-8

Page 1 of 2

The reproduction, transmission or use of this document or its contents is not permitted without express written authority. Offenders will be liable for damages. All right, including rights created by patent grant or registration of a utility model or

La divulgación y reproducción de este documento así como el aprovechamiento de su contenido, no están autorizados, a no ser que se obtenga el consentimiento expreso para ello. Los infractores quedan obligados a la indemnización por daños y perjuicios. Se reservan todos los derechos, en particular para el caso de concesión de Patente o de Modelo de utilidad.

Weitergabe sowie Vervielfältigung dieser Unterlage, Verwertung und Mitteilung ihres Inhalts nicht gestattet, soweit nicht ausdrücklich zugestanden. Zuwiderhandlungen verpflichten zu Schadenersatz. Alle Rechte vorbehalten. Insbesondere für den Fall der Patenterteilung oder GM-Eintragung.

Table 1
Ratings and dimensions

Rating 'C' in JF ± 5 % / Vrms	TDK Part No.	Diameter (ØD) in mm±1	Finished height (H) in mm ±3 mm	Total Height (L) in mm ±3 mm	Loss Factor limit (tanδ) at 1KHz	Grundfloss Part no.
50 / 450	B32333B6506J060	53	132	149	< 0.0070	-----



CuF XXXX WW.YYN
 ± 5 % 450VAC B PO. No.
 No PCBs 400VAC A 50/60Hz
 E106388 B32333-XXX S2 PROTECTED
 10000AFC IEC 60252-1 MKP 5H
 25/085/21 MADE BY EPCOS

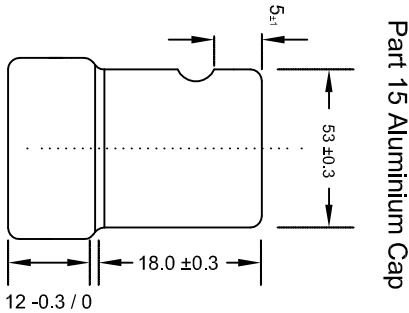
Nomenclatures in the above marking:

- Cx - Rated Capacitance
- V_{RMS} - Rated Voltage
- Tx - Tolerance on capacitance
- SH - Self Healing type MPP Capacitor
- 25/085/21 - Lower temperature limit is -25°C
- Upper temperature limit is 85°C
- Damp heat test - 21 days
- ww.yyn - Batch number
- XXXX - Grundfloss part number, blank if no part number is available
- Part number - e.g: B32333-B...
- B32333 XXX
- XXXX
- Last two digit of part number
- Revision status
- First Six digit of part number
- PO. No. - Production Order number



Table 3: Rating

Parameter	Specification
Rated Voltage	Refer 'table 1'
Rated Capacitance	Refer 'table 1'
Insulation Resistance	Between the terminals bound together and the casing > 1000 M Ohm
Withstand voltage	Between terminals 2.15 x rated VAC for 2 sec.
Dielectric Loss	Between terminals (2 x rated VAC)+(1000) VAC OR together and casing Min.2000 VAC for 2 sec.
Liquid tightness	Refer 'Table 1'
Maximum Working Temperature	8 Hrs' heating in an oven @ 95°C temperature. This should not result in leakage of the impregnant. At the portion of the capacitor casing surface where the highest temperature occurs: Not more than 85°C



Part 16 Two core cable 16 AWG

= Printing On Cable Sheath as per following Specification
 As this Cable is cut from continuous Cable so full printing will not come on every Cable, some Cable may have half printing.

Notes :- 1) Marking is with white ROHS compatible Ink
 2) Marking should Visible

Ø9.4±0.2
 2/C 16 AWG (1.31MM) 90°C (UL) UL File No WATER RESISTANT SOOW CSA (-40°C) FT-2 P-7K-1

Grundfos Drawing Ref. ID 78 58

General tolerance		Surface quality		Scale: NTS All dimensions are in mm	
06	Marking orientation updated	10.06.21	SMD	Material :	Refer 'Table No.2
07	Cable printing number updated	20.09.20	SMD	Customer:	MPP CAPACITOR SAFE DEVICE
08	Marking consolidated.	02.01.18	SMD	Date	23.03.10
09	8 CoC removed from marking.	08.03.16	VGS	Drawn	B5SR
05	p27 to S2 changed, CE marking added	30.10.13	VGS	Checked	RBE
04	Tolerance changed from ±10 to ±5%	30.10.13	VGS	Standard	EN 60252
03	Marking orientation defined	11.09.12	VGS		
02	Wire / cable specifications revised	27.06.12	VGS		
01	Wire color and wire dia's changed	07.02.12	VGS		
Riv.	Modification	Date	Name		AL CAN CAPACITOR DFO WITH CAP , CABLE