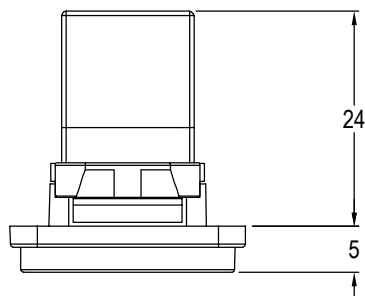
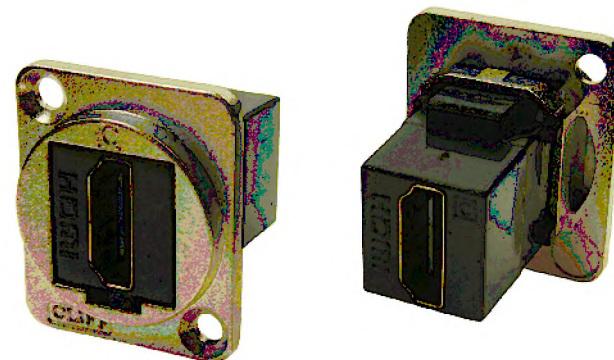
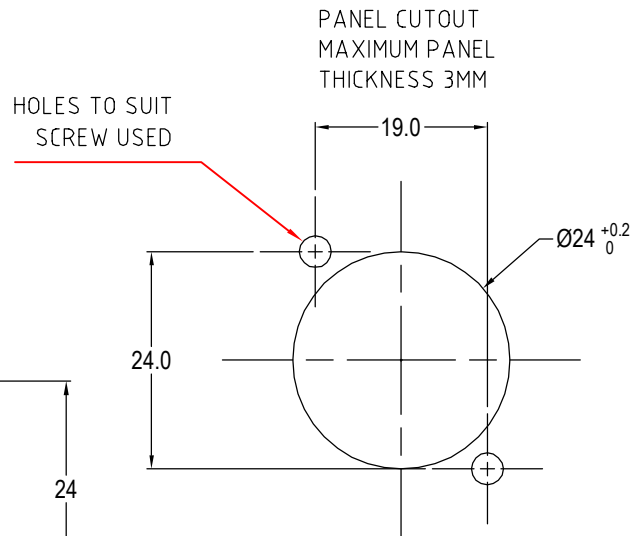
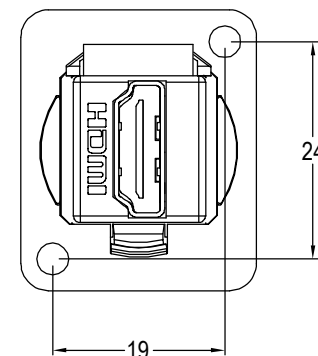
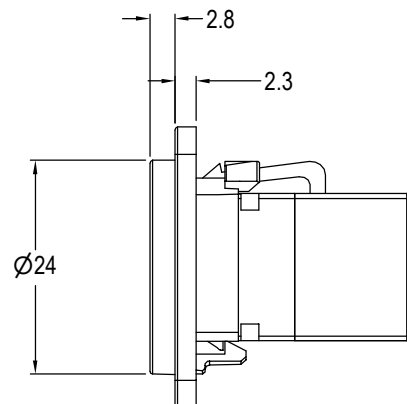
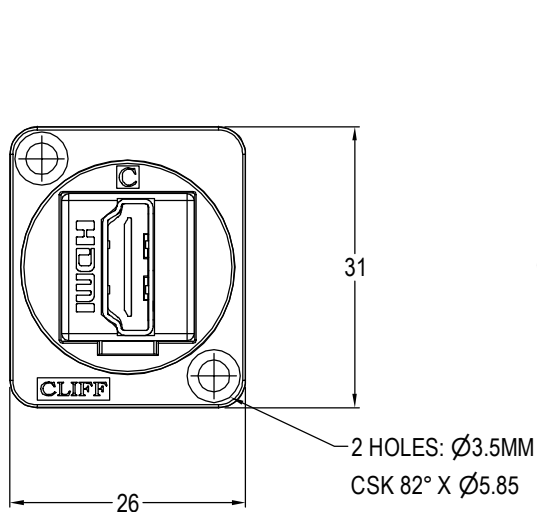


ISS.	AMEND	DATE
1	ISSUED	08/02/2017



**Material:**

1. Insert: ABS
2. Frame: Diecast, Nickel plated
3. Shell: Gold plated
4. Contacts: Gold Plated
5. UL94V-2



**RoHS**  
COMPLIANT

**TOLERANCE**  
NO DEC. PLACE  $\pm$   
1 DEC. PLACE  $\pm$   
2 DEC. PLACE  $\pm$   
HOLE  $\varnothing \pm$   
ANGLES  $\pm$   
UNLESS  
OTHERWISE STATED

DO NOT SCALE

**Cliff Electronic Components Ltd.**

76 Holmethorpe Avenue, Holmethorpe Industrial Estate,  
Redhill, Surrey, RH1 2PF, England, UK  
Tel: 01737-771375 Fax: 01737-766012 Website: www.cliffuk.co.uk

THE CONTENTS OF THIS DOCUMENT MUST NOT BE COPIED OR DISCLOSED  
TO A 3rd PARTY WITHOUT WRITTEN PERMISSION OF CLIFF UK. © 2015

DIMENSIONS IN MILLIMETERS UNLESS OTHERWISE STATED. WORK TO DIMENSIONS. REMOVE ALL BURRS. IF IN DOUBT ASK.

3rd ANGLE PROJECTION:

MATERIAL: See Notes

FINISH: See Notes

DRAWN: D.P.J.

APPROVED: D.P.J.

TITLE: FT METAL HDMI A Female to HDMI A

DRWG. No. **CP30200GM**

FORM: A4DRWGH