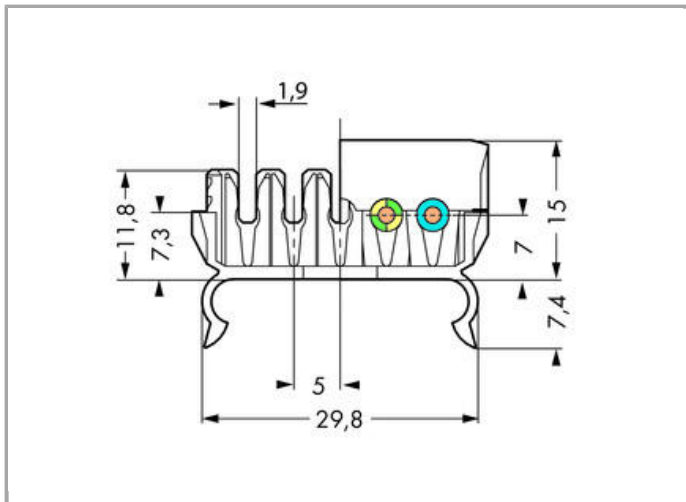
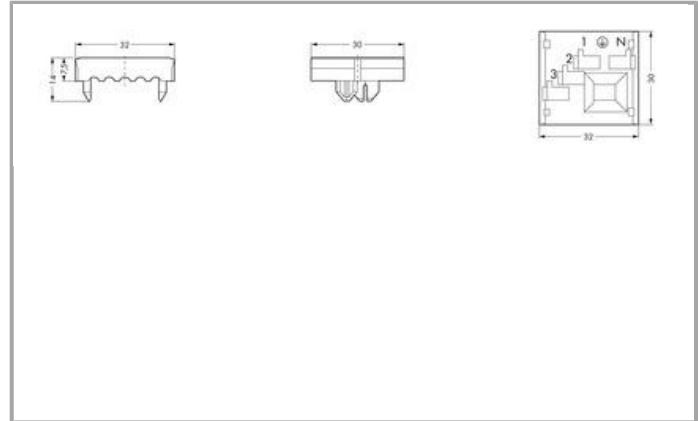
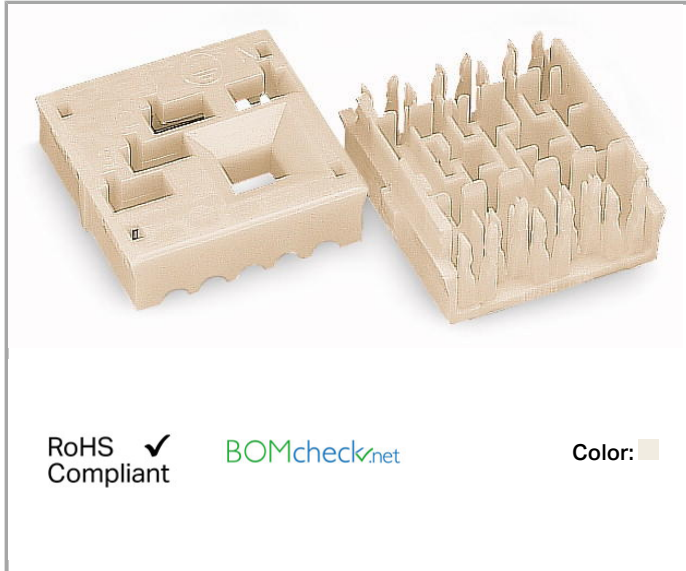


Data sheet | Item number: 267-143

Conductor support; with dovetail; 5-pole; Bottom part

[www.wago.com/267-143](http://www.wago.com/267-143)



### Item description

- Flexible, modular 5- to 11-pole connector system
- Future system expansions possible
- Compact design

### Data

#### Electrical data

## Ratings per IEC/EN 60664-1

Rated voltage (III / 2)	500 V
Rated impulse voltage (III / 2)	4 kV
Legend (ratings)	(III / 2) $\hat{=}$ Overvoltage category III / Pollution degree 2

## Connection data

Strip length	16 ... 18 mm / 0.63 ... 0.71 Inch
No. of poles	5
Number of connection types	1

## Geometrical Data

Width	30 mm / 1.181 inch
Height from the surface	11.8 mm / 0.465 inch
Depth	32 mm / 1.26 inch

## Material Data

Color	white
Material group	I
Insulating material	Polyamide 66 (PA 66)
Flammability class per UL94	V0
Clamping spring material	Chrome nickel spring steel (CrNi)
Contact material	Electrolytic copper (Ecu)
Contact plating	tin-plated
Fire load	0.127 MJ
Weight	4.327 g

## Environmental Requirements


Temperature stability	105 °C
-----------------------	--------

## Commercial data

Packaging type	bag
Country of origin	DE
GTIN	4017332200295
Customs Tariff No.	85369010000
Product Group	8 (Misc. Chassis Mount Blocks)

## Approvals / Certificates

### Country specific Approvals

Logo	Approval	Certificate name
	VDE VDE Prüf- und Zertifizierungsinstitut	40032309

Downloads  
**smartDATA**

CAD data

3D Download 267-143	URL	Download
---------------------	-----	----------

Subject to changes.