

Safety module - AXL F SSDOR4/2 1F



2702859

<https://www.phoenixcontact.com/gb/products/2702859>

Please be informed that the data shown in this PDF document is generated from our Online Catalog. Please find the complete data in the user documentation. Our General Terms of Use for Downloads are valid.



Safety-related distributed relay output module, IP20 degree of protection, for SafetyBridge systems. The module has four safe relay outputs, each with one floating contact.

Commercial Data

Item number	2702859
Packing unit	1 pc
Minimum order quantity	1 pc
Sales Key	DNA532
Product Key	DNA532
GTIN	4055626363295
Weight per Piece (including packing)	270 g
Weight per Piece (excluding packing)	218 g
Customs tariff number	85371098
Country of origin	DE

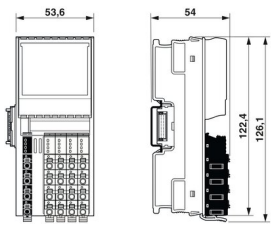
Safety module - AXL F SSDOR4/2 1F

2702859

<https://www.phoenixcontact.com/gb/products/2702859>

Technical Data

Dimensions

Dimensional drawing	
Width	53.6 mm
Height	126.1 mm
Depth	54 mm
Note on dimensions	Housing dimensions

Material specifications

Color	zinc yellow RAL 1018
-------	----------------------

Interfaces

Axioline F local bus

Connection method	Bus base module
-------------------	-----------------

Input data

Digital

Input name	Signal inputs
Number of inputs	2
Input voltage	Power supply from clock outputs UT1 and UT2
Nominal input current at U_{IN}	typ. 3.2 mA

Output data

Digital

Output name	Outputs OUT24V_0 and OUT24V_1
Number of outputs	2
Nominal output voltage	Power supply from U_0 or U_1

Relay

Number of outputs	4 (floating)
Contact type	N/O contact
Switching voltage	min. 12 V AC/DC max. 30 V AC/DC
Switching current	min. 3 mA max. 6 A (30 V DC)
Switching capacity	min. 60 mW

Safety module - AXL F SSDOR4/2 1F



2702859

<https://www.phoenixcontact.com/gb/products/2702859>

Limiting continuous current	6 A
Mechanical service life	10x 10 ⁶ cycles
Output fuse	6 A gL/gG (See "Application examples" section)

Product properties

Type	modular
Product type	I/O component
Mounting position	any
Operating mode	SafetyBridge

Insulation characteristics

Overvoltage category	II (IEC 60664-1)
Pollution degree	2 (IEC 60664-1)

Electrical properties

Potentials

Protection	max. 500 mA slow-blow (for U _I)
	max. 6 A gL/gG ()
Protective circuit	Polarity reversal protection of the supply voltage; parallel protection against polarity reversal for a limited period of time
	Surge voltage detection; at 31 V
	Undervoltage detection; at 17 V
	Surge protection of the supply voltage; electronic (35 V, 0.5 s)

Potentials: Axoline F local bus supply (U_{Bus})

Supply voltage	5 V DC (via bus base module)
Current draw	max. 163 mA (at U _{Bus} 5 V DC)
	typ. 93 mA (at U _{Bus} 5 V DC)

Potentials: Supply voltage U_I for EDM

Supply voltage	24 V DC
Supply voltage range	19.2 V DC ... 30.2 V DC (including all tolerances, including ripple)
Current draw	max. 30 mA
	typ. 10 mA (Power supply from U _I with 30 V DC, all inputs set)

Potentials: Feed-in U₀ and U₁ for safe I/O supply

Supply voltage	24 V DC
Supply voltage range	19.2 V DC ... 30 V DC (including all tolerances, including ripple)
Current draw	max. 6 A
	typ. 1.6 mA (Power supply from U ₀ with 30 V DC, all inputs set without load)

Connection data

Connection technology

Connection name	I/O
Note on the connection method	Note the specification in the section Conductor cross sections,

Safety module - AXL F SSDOR4/2 1F



2702859

<https://www.phoenixcontact.com/gb/products/2702859>

and stripping and insertion lengths.

Conductor connection

Connection method	Push-in connection
Conductor cross section solid	0.5 mm ² ... 1.5 mm ²
Conductor cross section flexible	0.5 mm ² ... 1.5 mm ²
Conductor cross section AWG	20 ... 16
Stripping length	8 mm

I/O

Connection method	Push-in connection
Note on the connection method	Note the specification in the section Conductor cross sections, and stripping and insertion lengths.
Conductor cross section, rigid	0.5 mm ² ... 1.5 mm ²
Stripping length	8 mm

Ambient conditions

Ambient temperature (operation)	-35 °C ... 60 °C
Degree of protection	IP20
Degree of protection at installation location	min. IP54
Air pressure (operation)	70 kPa ... 108 kPa
Air pressure (storage/transport)	66 kPa ... 108 kPa
Ambient temperature (storage/transport)	-40 °C ... 85 °C

Standards and regulations

Protection class	III (IEC 61140-1)
------------------	-------------------

Mounting

Mounting type	DIN rail mounting
Mounting position	any

Safety module - AXL F SSDOR4/2 1F

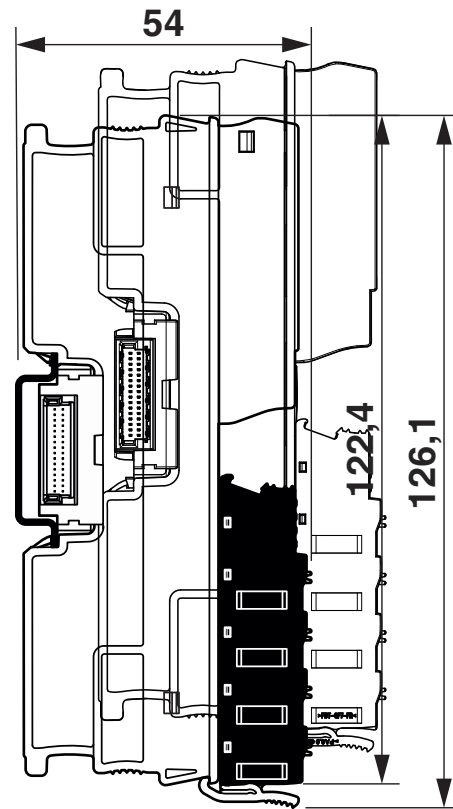
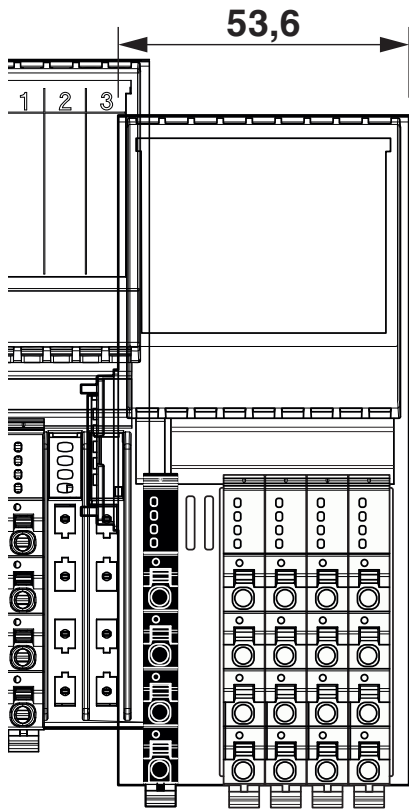
2702859

<https://www.phoenixcontact.com/gb/products/2702859>



Drawings

Dimensional drawing



Safety module - AXL F SSDOR4/2 1F



2702859

<https://www.phoenixcontact.com/gb/products/2702859>

Approvals



DNV GL

Approval ID: TAA00000DF



UL Listed

Approval ID: FILE E 238705



cUL Listed

Approval ID: FILE E 238705

cULus Listed

Safety module - AXL F SSDOR4/2 1F



2702859

<https://www.phoenixcontact.com/gb/products/2702859>

Classifications

ECLASS

ECLASS-9.0	27242604
ECLASS-10.0.1	27242604
ECLASS-11.0	27242604

ETIM

ETIM 8.0	EC001599
----------	----------

UNSPSC

UNSPSC 21.0	32151600
-------------	----------

Safety module - AXL F SSDOR4/2 1F



2702859

<https://www.phoenixcontact.com/gb/products/2702859>

Environmental Product Compliance

REACH SVHC	Lead 7439-92-1
China RoHS	Environmentally Friendly Use Period = 50 years
	For information on hazardous substances, refer to the manufacturer's declaration available under "Downloads"

Safety module - AXL F SSDOR4/2 1F

2702859

<https://www.phoenixcontact.com/gb/products/2702859>

Accessories

Screwdriver

Screwdriver - SZS 0,4X2,5 VDE - 1205037

<https://www.phoenixcontact.com/gb/products/1205037>



Screwdriver, slot-headed, VDE insulated, size: 0.4 x 2.5 x 80 mm, 2-component grip, with non-slip grip

Crimping pliers

Crimping pliers - CRIMPFOX 6 - 1212034

<https://www.phoenixcontact.com/gb/products/1212034>



Crimping pliers, for ferrules without insulating collar according to DIN 46228 Part 1 and ferrules with insulating collar according to DIN 46228 Part 4, 0.25 mm² ... 6.0 mm², lateral entry, trapezoidal crimp

Safety module - AXL F SSDOR4/2 1F

2702859

<https://www.phoenixcontact.com/gb/products/2702859>

Crimping pliers

Crimping pliers - CRIMPFOX 6T - 1212037

<https://www.phoenixcontact.com/gb/products/1212037>



Crimping pliers, for ferrules without insulating collar according to DIN 46228 Part 1 and ferrules with insulating collar according to DIN 46228 Part 4, 0.25 mm² ... 6 mm², lateral entry, trapezoidal crimp

Crimping pliers

Crimping pliers - CRIMPFOX 6T-F - 1212038

<https://www.phoenixcontact.com/gb/products/1212038>



Crimping pliers, for ferrules without insulating collar according to DIN 46228 Part 1 and ferrules with insulating collar according to DIN 46228 Part 4, 0.25 mm² ... 6 mm², front entry, trapezoidal crimp

Safety module - AXL F SSDOR4/2 1F

2702859

<https://www.phoenixcontact.com/gb/products/2702859>



Accessories

Accessories - MPS-MT 1-S4-B RD - 1982800

<https://www.phoenixcontact.com/gb/products/1982800>

Test plug terminal block, Accessories



Phoenix Contact 2022 © - all rights reserved

<https://www.phoenixcontact.com>

PHOENIX CONTACT Ltd

Halesfield 13, Telford

Shropshire, TF7 4PG

01952 681700

info@phoenixcontact.co.uk