

IEC connectors

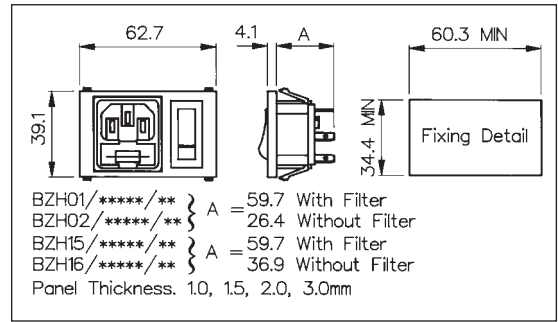
Order code	Manufacturer code	Description
23-3222	BZH01/Z0000/01	FUSED AND SWITCHED HORIZONTAL INLET

IEC connectors	Page 1 of 2
The enclosed information is believed to be correct, Information may change 'without notice' due to product improvement. Users should ensure that the product is suitable for their use. E. & O. E.	Revision A 04/07/2003

IEC Fused Inlet - Horizontal



- Horizontal Module Arrangement
- Snap-in Components
- Inlet Variations (with various tag sizes)
- Single Pole Switch Variations
- Filtered Inlet Option
- Options of O/I marked switches
- Fused



How to Order

BZH xx / xxxxx / xx

Type of Inlet / Outlet	Filtered or Non Filtered Inlet	Combination of Other Components
Fused Power Inlet (cold condition), 2.8 or 6.3mm tabs: 01 = PF0011/63 02 = PF0011/28 Twin Fused Power Inlet (cold condition), 2.8 or 6.3mm tabs: 15 = PF0033/63 16 = PF0033/28	Z0000 = Non Filtered Axxxx = Standard Bxxxx = Medical Cxxxx = High Performance Standard (Single Fuse Version only) <div style="border: 1px solid black; padding: 5px; width: fit-content; margin: 10px auto;"> For Filtered inlet use 6th to 9th characters from filter ordering code see pages 71-74. E.g. BZH01/A0620/01 </div>	Single Pole Switch: 01 = S.P. Switch Single Pole Neon Switch: 02 = S.P. Red Neon Switch 08 = S.P. Green Neon Switch Neon Indicator: 03 = Red Neon Indicator Single Pole High Inrush Switch: 46 = S.P. High Inrush Switch Single Pole Switch Marked O/I: 69 = S.P. Switch (O/I) Single Pole Neon Switch Marked (O/I): 71 = S.P. Red Neon Switch (O/I) 74 = S.P. Green Neon Switch (O/I) Single Pole High Inrush Switch Marked (O/I): 98 = S.P. High Inrush Switch (O/I)

Note: For technical details of individual components please see page 54