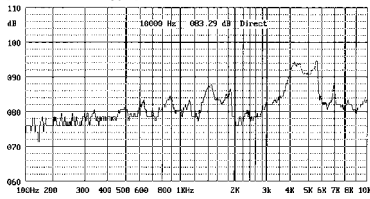


KPR-1340 series Piezo Transducer

FREQUENCY RESPONSE

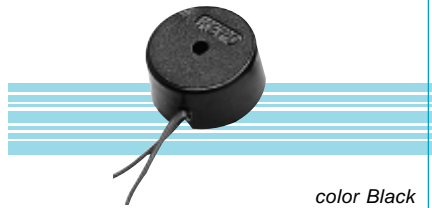
[actual curve of type]



applied voltage: 12Vp-p, 1/2 duty, square wave distance for measurement: 10cm

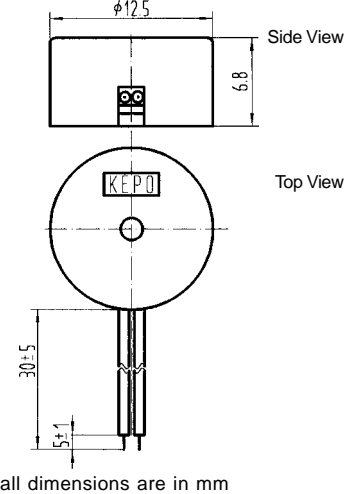
Model No	KPR-1340
Rated Voltage	12Vp-p Square Wave
Max. Allowable Voltage	30Vp-p Square Wave
Max. Rated Current	2mA at 4.0KHz/12Vp-p Square Wave
Min. Sound Pressure Level	80dB at 4.0KHz/12Vp-p Square Wave/10cm
Resonant Frequency	4.0±0.5KHz
Operating Temperature	-20~+80jæ
Weight	1g

* Value applying at rated voltage



color Black
PBT Housing Material
Lead Terminal

DIMENSIONS

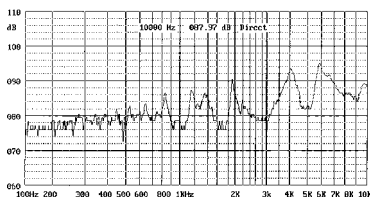


all dimensions are in mm

KPR-1410 series Piezo Transducer

FREQUENCY RESPONSE

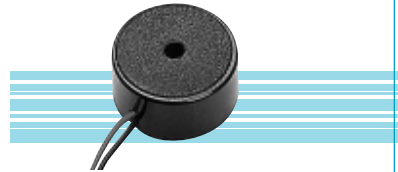
[actual curve of type]



applied voltage: 12Vp-p, 1/2 duty, square wave distance for measurement: 10cm

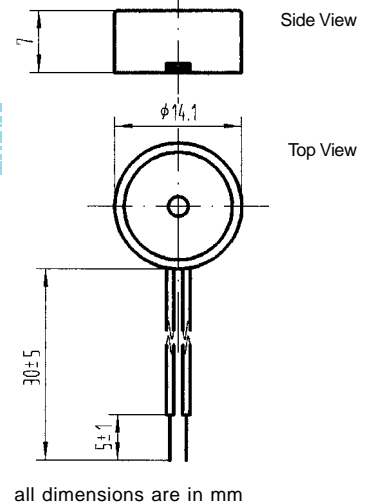
Model No	KPR-1410
Rated Voltage	12Vp-p Square Wave
Max. Allowable Voltage	30Vp-p Square Wave
Max. Rated Current	2mA at 4.0KHz/12Vp-p Square Wave
Min. Sound Pressure Level	80dB at 4.0KHz/12Vp-p Square Wave/10cm
Resonant Frequency	4.0±0.5KHz
Operating Temperature	-20~+60jæ
Weight	1g

* Value applying at rated voltage



color Black
ABS Housing Material
Lead Terminal

DIMENSIONS

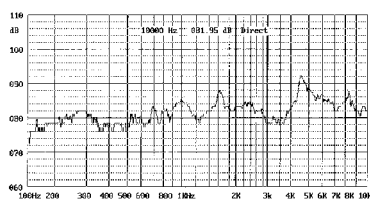


all dimensions are in mm

KPR-1440 series Piezo Transducer

FREQUENCY RESPONSE

[actual curve of type]



applied voltage: 9Vp-p, 1/2 duty, square wave distance for measurement: 10cm

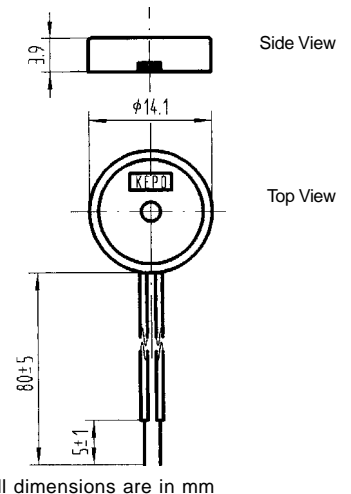
Model No	KPR-1440
Rated Voltage	12Vp-p Square Wave
Max. Allowable Voltage	25Vp-p Square Wave
Max. Rated Current	2mA at 4.0KHz/9Vp-p Square Wave
Min. Sound Pressure Level	75dB at 4.0KHz/9Vp-p Square Wave/10cm
Resonant Frequency	4.0±0.5KHz
Operating Temperature	-20~+60jæ
Weight	1.3g

* Value applying at rated voltage



color Black
ABS Housing Material
Lead Terminal

DIMENSIONS



all dimensions are in mm

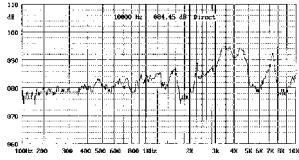
The information contained herein is believed to be correct, but no guarantee for accuracy, completeness KEPO Electronics Ltd. reserves the right to make changes without notification.

Piezo Transducer

KPR-1720 series Piezo Transducer

FREQUENCY RESPONSE

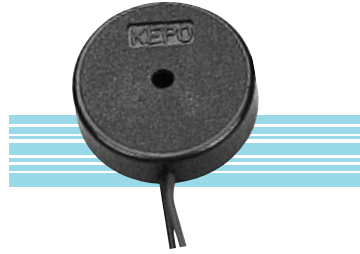
[actual curve of type]



applied voltage: 12 Vp-p, 1/2 duty, square wave
distance for measurement: 10cm

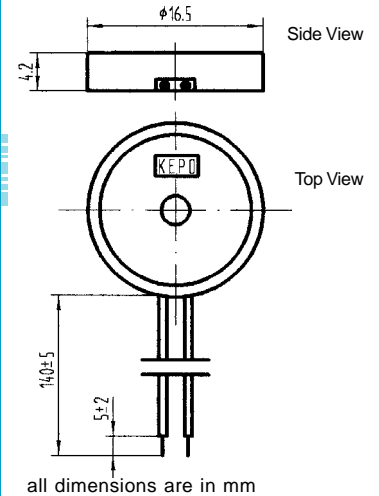
Model No	KPR-1720
Rated Voltage	12Vp-p Square Wave
Max. Allowable Voltage	30Vp-p Square Wave
Max. Rated Current	2mA at 4.0KHz/12Vp-p Square Wave
Min. Sound Pressure Level	83dB at 4.0KHz/12Vp-p Square Wave/10cm
Resonant Frequency	4.0±0.5KHz
Operating Temperature	-20~+60jæ
Weight	1g

* Value applying at rated voltage



color Black
ABS Housing Material
Lead Terminal

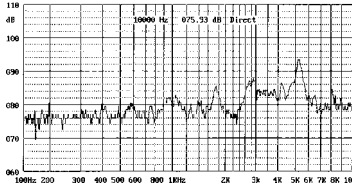
DIMENSIONS



KPR-2445 series Piezo Transducer

FREQUENCY RESPONSE

[actual curve of type]



applied voltage: 12 Vp-p, 1/2 duty, square wave distance for measurement: 30cm

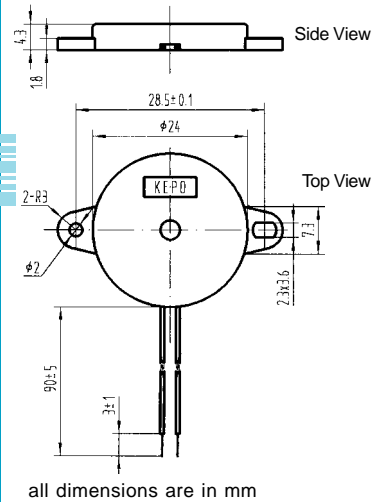
Model No	KPR-2445
Rated Voltage	12Vp-p/square ware
Max. Allowable Voltage	30Vp-p/square ware
Max. Rated Current	3mA at 4.5 KHz/12Vp-p Square Wave
Min. Sound Pressure Level	80dB at 4.5KHz/12Vp-p Square Wave/30cm
Resonant Frequency	4.5j±0.5KHz
Operating Temperature	-20~+60jæ
Weight	2g

* Value applying at rated voltage



color Black
ABS Housing Material
Lead Terminal

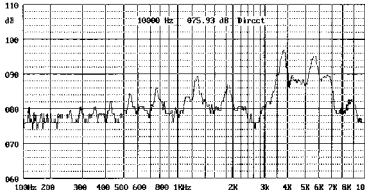
DIMENSIONS



KPR-2313 series Piezo telephone ringer

FREQUENCY RESPONSE

[actual curve of type]



applied voltage: 12Vp-p, 1/2 duty, square wave distance for measurement: 30cm

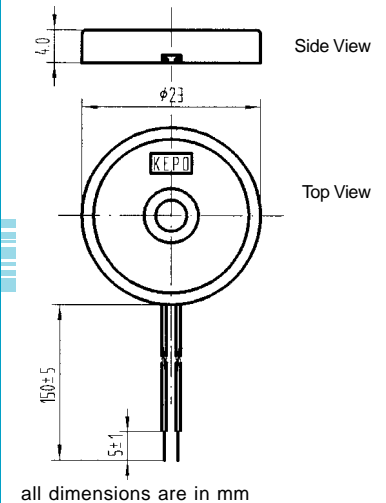
Model No	KPR-2313
Rated Voltage	12Vp-p Square Wave
Max. Allowable Voltage	30Vp-p Square Wave
Max. Rated Current	3mA at 4.0KHz/12Vp-p Square Wave
Min. Sound Pressure Level	80dB at 4.0KHz/12Vp-p Square Wave/30cm
Resonant Frequency	4.0±0.5KHz
Operating Temperature	-20~+60jæ
Weight	2g

* Value applying at rated voltage



color Black
ABS Housing Material
Lead Terminal

DIMENSIONS



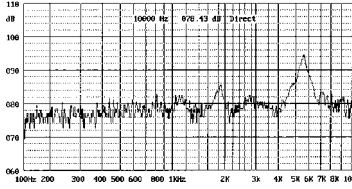
The information contained herein is believed to be correct, but no guarantee for accuracy, completeness KEPE Electronics Ltd. reserves the right to make changes without notification.

Piezo Transducer

KPR-2211 series Piezo Transducer

FREQUENCYRESPONSE

[actual curve of type]



applied voltage: 12Vp-p, 1/2 duty, square wave distance for measurement: 30cm

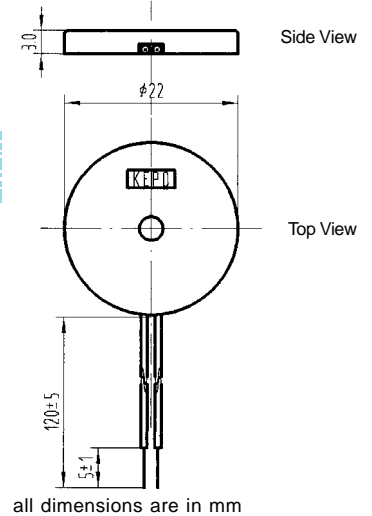


color Black
ABS Housing Material
Lead Terminal

Model No	KPR-2211
Rated Voltage	12Vp-p Square Wave
Max. Allowable Voltage	30Vp-p Square Wave
Max. Rated Current	3mA at 4.5KHz/12Vp-p Square Wave
Min. Sound Pressure Level	75dB at 4.5KHz/12Vp-p Square Wave/30cm
Resonant Frequency	4.5±0.5KHz
Operating Temperature	-20~+60℃
Weight	3g

* Value applying at rated voltage

DIMENSIONS

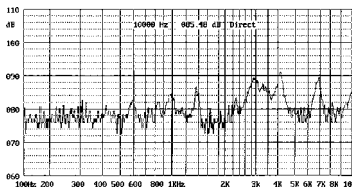


all dimensions are in mm

KPR-2310 series Piezo Transducer

FREQUENCYRESPONSE

[actual curve of type]



applied voltage: 12Vp-p, 1/2 duty, square wave distance for measurement: 30cm

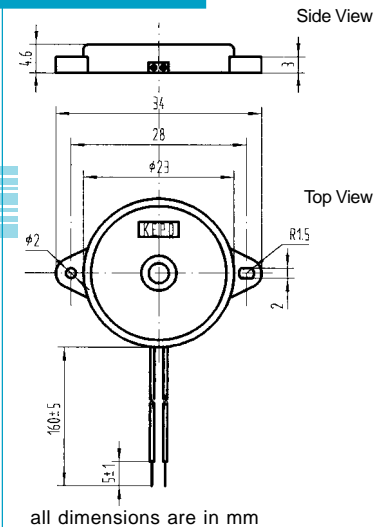


color Black
ABS Housing Material
Lead Terminal

Model No	KPR-2310
Rated Voltage	12Vp-p Square Wave
Max. Allowable Voltage	30Vp-p Square Wave
Max. Rated Current	3mA at 4.0 KHz/12Vp-p Square Wave
Min. Sound Pressure Level	80dB at 4.0KHz/12Vp-p Square Wave/30cm
Resonant Frequency	4.0±0.5KHz
Operating Temperature	-20~+60℃
Weight	1g

* Value applying at rated voltage

DIMENSIONS

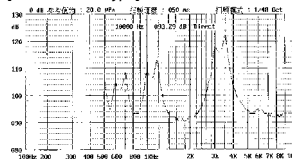


all dimensions are in mm

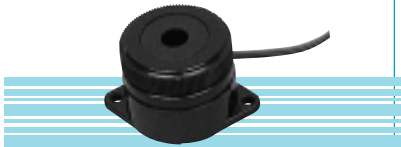
KPR-2910 series Piezo Telephone Ringer

FREQUENCYRESPONSE

[actual curve of type]



applied voltage: 12Vp-p, 1/2 duty, square wave distance for measurement: 30cm

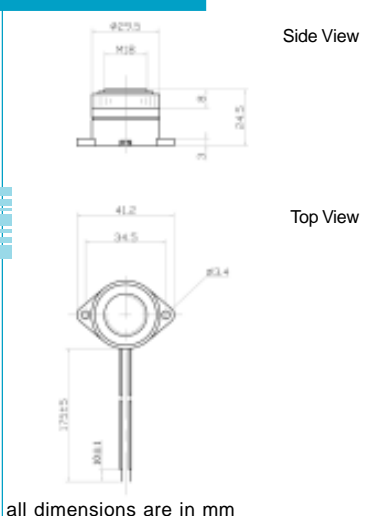


color Black
ABS Housing Material
Pin Terminal

Model No	KPR-2910
Operating Voltage	12VP-P Square Wave
Max. Allowable Voltage	3-30VP-P Square Wave
Max. Rated Current	3mA at 2.9KHz/12vp-p Square wave
Min. sound Pressure Level	90dB at 2.9KHz/12vp-p Square wave/30cm
Resonant Frequency	2.9±0.5KHz
Capacitance at 120HZ	30000pF±30%
Housing Material / Color	ABS/Black
Operating Temperature	-20℃~+60℃
Store Temperature	-30℃~+70℃
Weight	10g

* Value applying at rated voltage

DIMENSIONS



all dimensions are in mm

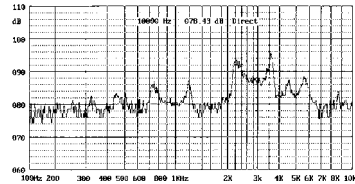
The information contained herein is believed to be correct, but no guarantee for accuracy, completeness KEPO Electronics Ltd. reserves the right to make changes without notification.

Piezo Transducer

KPR-3010 series Piezo Telephone Ringer

FREQUENCY RESPONSE

[actual curve of type]



applied voltage: 12Vp-p, 1/2 duty, square wave distance for measurement: 30cm

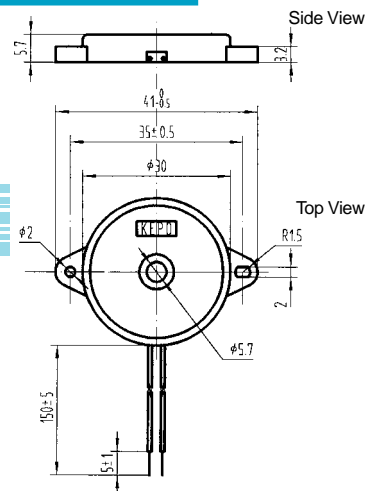
Model No	KPR-3010
Rated Voltage	12Vp-p Square Wave
Max. Allowable Voltage	30Vp-p Square Wave
Max. Rated Current	4mA at 1.3KHz/12Vp-p Square Wave
Min. Sound Pressure Level	75dB at 1.3KHz/12Vp-p Square Wave/30cm
Resonant Frequency	1.3±0.5KHz
Operating Temperature	-20~+60±æ
Weight	3g

* Value applying at rated voltage



color Black
ABS Housing Material
Lead Terminal

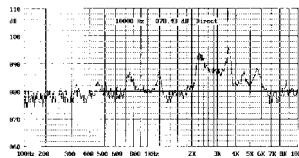
DIMENSIONS



all dimensions are in mm

KPR-3210L series Piezo Telephone Ringer

FREQUENCY RESPONSE



applied voltage: 12 Vp-p, 1/2 duty, square wave distance for mea-

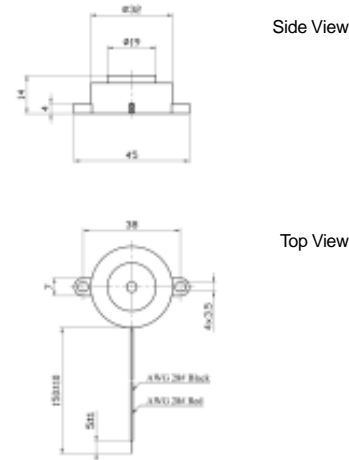
Model No	KPR-3210L
Rated Voltage	12Vp-p
Operating Voltage	3±30Vp-p
Max. Rated Current	15mA at 12Vp-p
Min. Sound Pressure Level	90dB at 12Vp-p/30cm
Resonant Frequency	3.7±0.5KHZ
Capacitance	20nF±30%
Housing Material/Color	ABS/White
Operating Temperature	-20~+60±æ
Store Temperature	-30~+70±æ
Weight	8g

* Value applying at rated voltage



color white
ABS Housing Material
Lead Terminal

DIMENSIONS

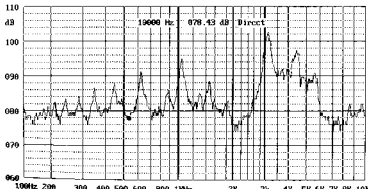


all dimensions are in mm

KPR-3013 series Piezo Telephone Ringer

FREQUENCY RESPONSE

[actual curve of type]



applied voltage: 12Vp-p, 1/2 duty, square wave distance for measurement: 30cm

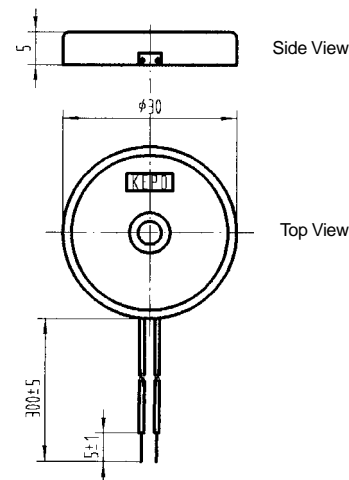
Model No	KPR-3013
Rated Voltage	12Vp-p Square Wave
Max. Allowable Voltage	30Vp-p Square Wave
Max. Rated Current	4mA at 1.3KHz/12Vp-p Square Wave
Min. Sound Pressure Level	75dB at 1.3KHz/12Vp-p Square Wave/30cm
Resonant Frequency	1.3±0.5KHz
Operating Temperature	-20~+60±æ
Weight	4g

* Value applying at rated voltage



color Black
ABS Housing Material
Lead Terminal

DIMENSIONS



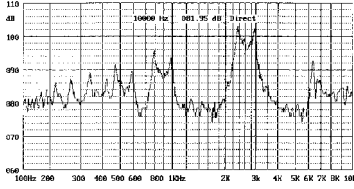
all dimensions are in mm

The information contained herein is believed to be correct, but no guarantee for accuracy, completeness KEPEO Electronics Ltd. reserves the right to make changes without notification.

Piezo Transducer

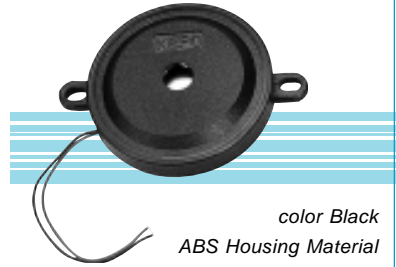
KPR-5020 series Piezo Transducer

FREQUENCY RESPONSE
[actual curve of type]



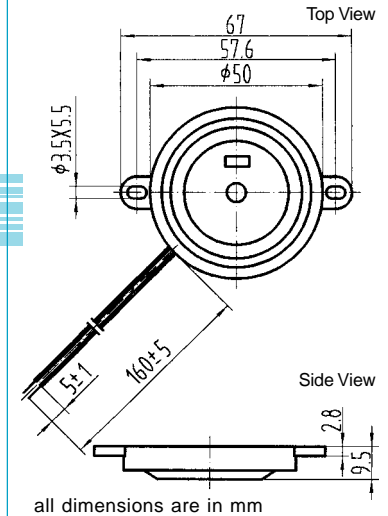
applied voltage: 12Vp-p, 1/2 duty, square wave distance for measurement: 30cm

Model No	KPR-5020
Rated Voltage	12Vp-p Square Wave
Max. Allowable Voltage	30Vp-p Square Wave
Max. Rated Current	4mA at 0.9KHz/12Vp-p Square Wave
Min. Sound Pressure Level	80dB at 0.9KHz/12Vp-p Square Wave/30cm
Resonant Frequency	0.9±0.5KHz
Operating Temperature	-20~+60jæ
Weight	12g



color Black
ABS Housing Material
Lead Terminal

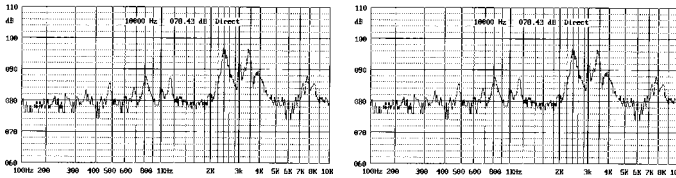
DIMENSIONS



* Value applying at rated voltage

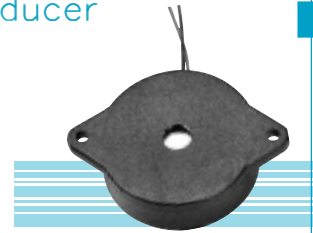
KPR-4420 series Piezo Transducer

FREQUENCY RESPONSE
[actual curve of type]



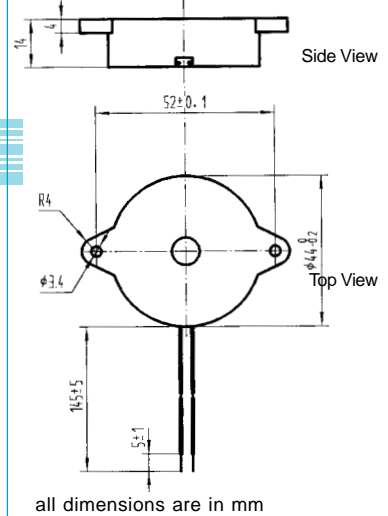
applied voltage: 12Vp-p, 1/2 duty, square wave distance for measurement: 30cm

Model No	KPR-4420	KPR-4420G
Rated Voltage	12Vp-p Square Wave	12Vp-p Square Wave
Max. Allowable Voltage	30Vp-p Square Wave	30Vp-p Square Wave
Max. Rated Current	4mA at 1.0 KHz/12Vp-p Square Wave	4mA at 1.0 KHz/12Vp-p Square Wave/30cm
Resonant Frequency	1.0±0.5KHz	1.0±0.5KHz
Operating Temperature	-20~+60jæ	-20~+60jæ
Weight	10g	10g



color Black
ABS Housing Material
Lead Terminal

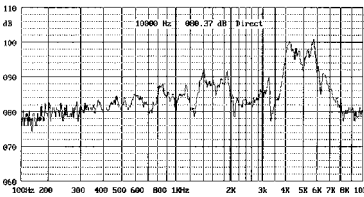
DIMENSIONS



* Value applying at rated voltage

KPR-3510GC series Piezo Transducer

FREQUENCY RESPONSE
[actual curve of type]



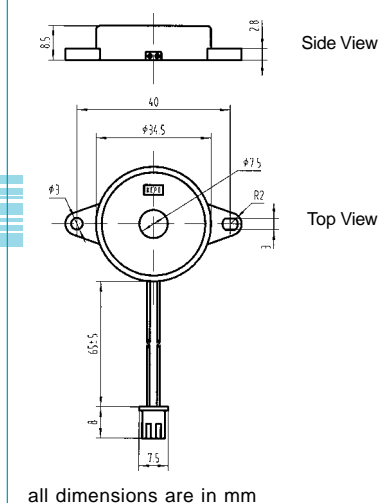
applied voltage: 12Vp-p, 1/2 duty, square wave distance for measurement: 30cm

Model No	KPR-3510GC
Rated Voltage	12Vp-p Square Wave
Max. Allowable Voltage	30Vp-p Square Wave
Max. Rated Current	3mA at 1.0KHz/12Vp-p Square Wave
Min. Sound Pressure Level	78dB at 1.0KHz/12Vp-p Square Wave/30cm
Resonant Frequency	1.0±0.5KHz
Operating Temperature	-20~+60jæ
Weight	5g



color Black
ABS Housing Material
Lead Terminal

DIMENSIONS



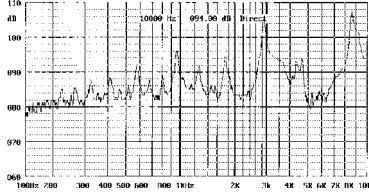
* Value applying at rated voltage

The information contained herein is believed to be correct, but no guarantee for accuracy, completeness KEPEO Electronics Ltd. reserves the right to make changes without notification.

Piezo Transducer

KPR-5010 series Piezo Transducer

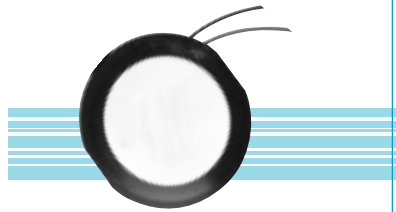
FREQUENCYRESPONSE
[actual curve of type]



applied voltage: 12Vp-p, 1/2 duty, square wave distance for measurement: 10cm

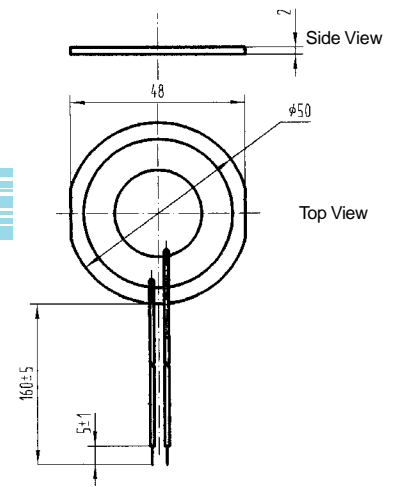
Model No	KPR-5010
Rated Voltage	12Vp-p Square Wave
Max. Allowable Voltage	30Vp-p Square Wave
Max. Rated Current	4mA at 1.0 KHz/12Vp-p Square Wave
Min. Sound Pressure Level	75dB at 1.0 KHz/12Vp-p Square Wave/10cm
Resonant Frequency	1.0j±0.5KHz
Operating Temperature	-20~+60jæ
Weight	4g

* Value applying at rated voltage



color Black
ABS Housing Material
Lead Terminal

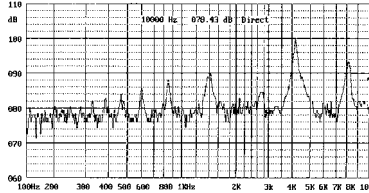
DIMENSIONS



all dimensions are in mm

KPR-3511 series Piezo Transducer

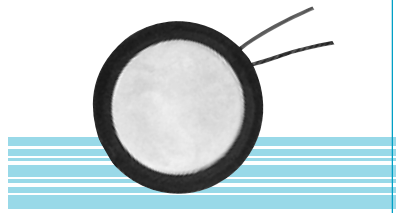
FREQUENCYRESPONSE
[actual curve of type]



applied voltage: 12Vp-p, 1/2 duty, square wave distance for measurement: 10cm

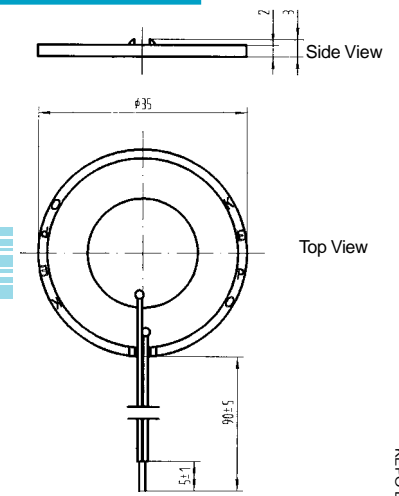
Model No	KPR-3511
Rated Voltage	12Vp-p Square Wave
Max. Allowable Voltage	30Vp-p Square Wave
Max. Rated Current	10mA at 1.3 KHz/12Vp-p Square Wave
Min. Sound Pressure Level	75dB at 1.3KHz/12Vp-p Square Wave/10cm
Resonant Frequency	1.3j±0.5 KHz
Operating Temperature	-20~+60jæ
Weight	5g

* Value applying at rated voltage



color Black
ABS Housing Material
Lead Terminal

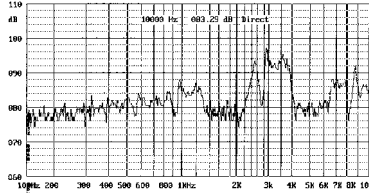
DIMENSIONS



all dimensions are in mm

KPR-4610C series Piezo Transducer

FREQUENCYRESPONSE
[actual curve of type]



applied voltage: 12Vp-p, 1/2 duty, square wave distance for measurement: 30cm

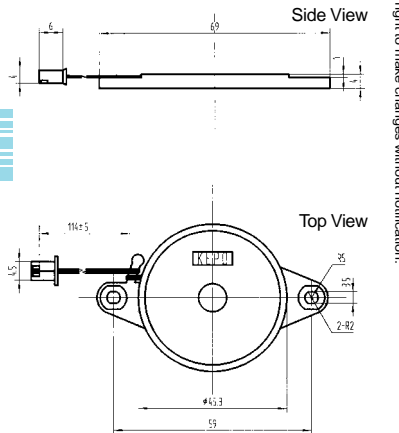
Model No	KPR-4610C
Rated Voltage	12Vp-p Square Wave
Max. Allowable Voltage	30Vp-p Square Wave
Max. Rated Current	4mA at 1.2KHz/12Vp-p Square Wave
Min. Sound Pressure Level	80dB at 1.2KHz/12Vp-p Square Wave/30cm
Resonant Frequency	1.2j±0.5 KHz
Operating Temperature	-20~+60jæ
Weight	7g

* Value applying at rated voltage



color Black
ABS Housing Material
Lead Terminal

DIMENSIONS



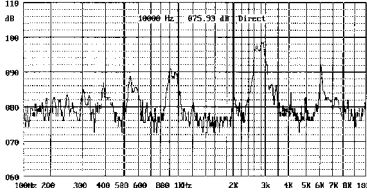
all dimensions are in mm

The information contained herein is believed to be correct, but no guarantee for accuracy, completeness KEPO Electronics Ltd. reserves the right to make changes without notification.

Piezo Transducer

KPR-4210 series Piezo Transducer

FREQUENCY RESPONSE
[actual curve of type]



applied voltage: 12Vp-p, 1/2 duty, square wave distance for measurement: 30cm

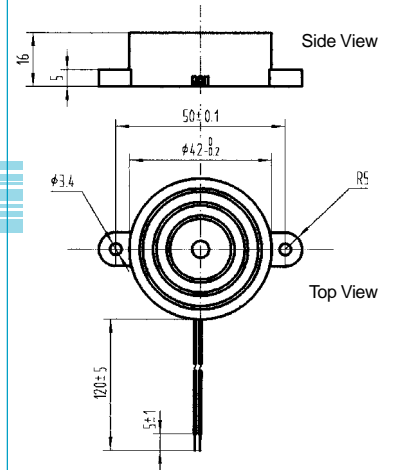
Model No	KPR-4210
Rated Voltage	12Vp-p Square Wave
Max. Allowable Voltage	30Vp-p Square Wave
Max. Rated Current	5mA at 2.8 KHz/12Vp-p Square Wave
Min Sound Pressure Level	85dB at 2.8 KHz/12Vp-p Square Wave/30cm
Resonant Frequency	2.8±0.5KHz
Operating Temperature	-20~+60±æ
Weight	10g

* Value applying at rated voltage



color Black
ABS Housing Material
Lead Terminal

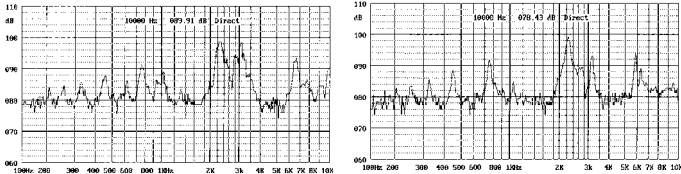
DIMENSIONS



all dimensions are in mm

KPR-4411 series Piezo Telephone Ringer

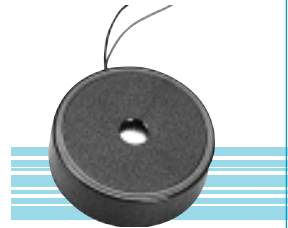
FREQUENCY RESPONSE
[actual curve of type]



applied voltage: 12 Vp-p, 1/2 duty, square wave distance for measurement: 30cm

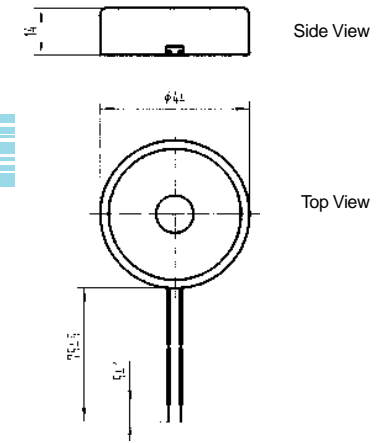
Model No	KPR-4411	KPR-4411G
Rated Voltage	12Vp-p Square Wave	12Vp-p Square Wave
Max. Allowable Voltage	30Vp-p Square Wave	30Vp-p Square Wave
Max. Rated Current	4mA at 1.0KHz/12Vp-p Square Wave	4mA at 1.0KHz/12Vp-p Square Wave
Min Sound Pressure Level	78dB at 1.0KHz/12Vp-p Square Wave/30cm	78dB at 1.0KHz/12Vp-p Square Wave/30cm
Resonant Frequency	1.0±0.5 KHz	1.0±0.5 KHz
Operating Temperature	-20~+60±æ	-20~+60±æ
Weight	10g	9g

* Value applying at rated voltage



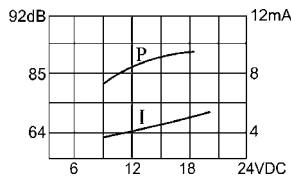
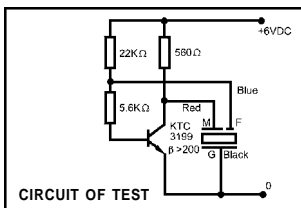
color Black
ABS Housing Material
Lead Terminal

DIMENSIONS



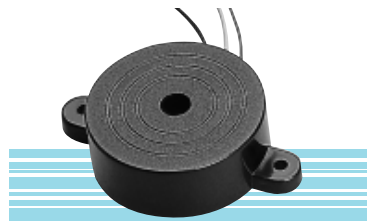
all dimensions are in mm

KPR3-4210 series Piezo Transducer



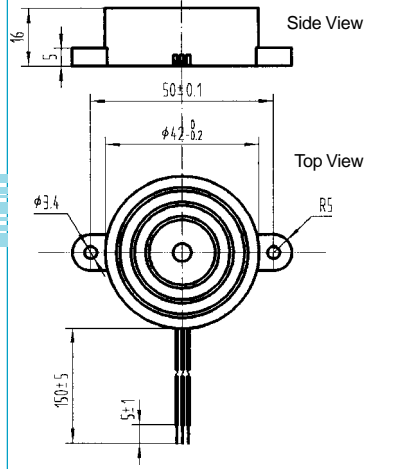
Model No	KPR3-4210
Rated Voltage	12VDC
Operating Voltage	3~24VDC
Max. Rated Current	15mA at 12VDC
Min. Sound Pressure Level	85dB at 12VDC/30cm
Resonant Frequency	2.8±0.5KHz
Tone Nature	Continuous
Operating Temperature	-20~+60±æ
Weight	10g

* Value applying at rated voltage



color Black
ABS Housing Material
Lead Terminal

DIMENSIONS



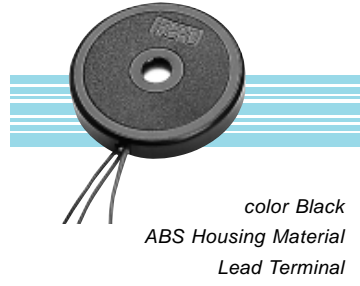
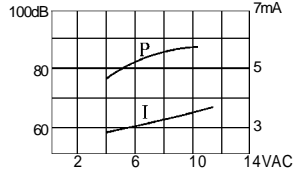
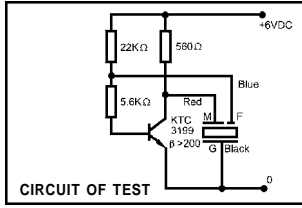
all dimensions are in mm

The information contained herein is believed to be correct, but no guarantee for accuracy, completeness KEPO Electronics Ltd. reserves the right to make changes without notification.

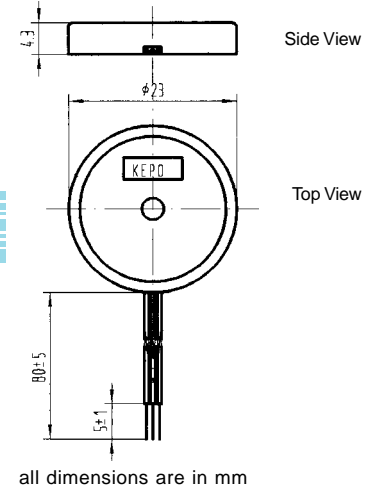
Piezo Transducer

KPR3-2313 series Piezo Telephone Ringer

DIMENSIONS



color Black
ABS Housing Material
Lead Terminal



all dimensions are in mm

Model No	KPR3-2313
Rated Voltage	6VDC
Operating Voltage	3-18VDC
Max. Rated Current	5mA at 6VDC
Min. Sound Pressure Level	80dB at 6VDC/30cm
Resonant Frequency	4.0j±0.5KHz
Tone Nature	Continuous
Operating Temperature	-20~+60jæ
Weight	2g

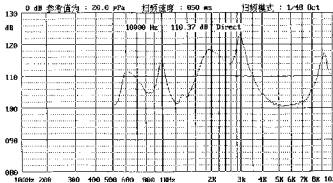
* Value applying at rated voltage

KPT-2320D series Piezo Telephone Ringer

DIMENSIONS

FREQUENCY RESPONSE

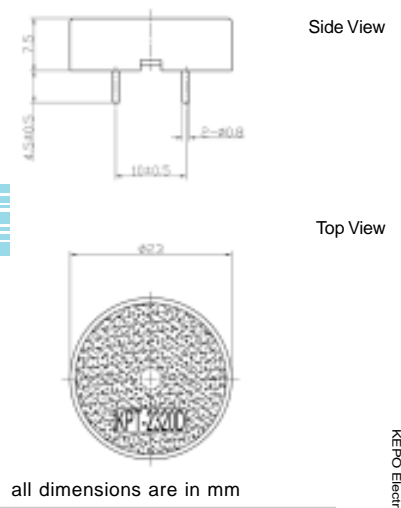
[actual curve of type]



applied voltage: 12Vp-p, 1/2 duty, square wave distance for measurement: 10cm



color Black
PA Housing Material
Pin Terminal



all dimensions are in mm

Model No	KPT-2320D
Rated Voltage	9Vp-p Square Wave
Max. Allowable Voltage	30Vp-p Square Wave
Max. Rated Current	3mA at 2.0KHz/9Vp-p Square Wave
Rated Frequency	2.0j±0.5KHz
Min. Sound Pressure Level	78dB at 2.0KHz/9Vp-p Square Wave/10cm
Capacitance at 100Hz	30000pFjA30%
Housing Material/Color	PA/Black
Operating Temperature	-20jæ~+80jæ
Store Temperature	-30jæ~+100jæ
Weight	2.5g

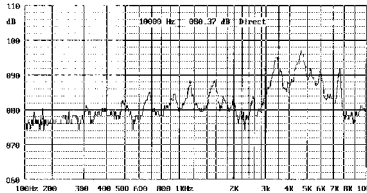
* Value applying at rated voltage

KPT-2340 series Piezo Transducer

DIMENSIONS

FREQUENCY RESPONSE

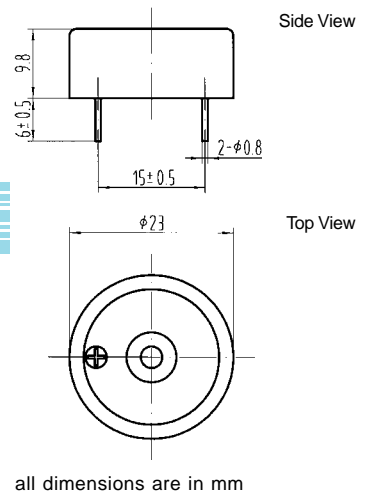
[actual curve of type]



applied voltage: 12Vp-p, 1/2 duty, square wave distance for measurement: 10cm



color Black
ABS Housing Material
Pin Terminal



all dimensions are in mm

Model No	KPT-2340
Rated Voltage	12Vp-p Square Wave
Max. Allowable Voltage	30Vp-p Square Wave
Max. Rated Current	4mA at 3.5KHz/12Vp-p Square Wave
Min. Sound Pressure Level	80dB at 3.5KHz/12Vp-p Square Wave/10cm
Resonant Frequency	3.5j±0.5KHz
Operating Temperature	-20~+60jæ
Weight	3g

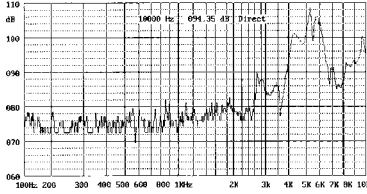
* Value applying at rated voltage

The information contained herein is believed to be correct, but no guarantee for accuracy, completeness KEPE Electronics Ltd. reserves the right to make changes without notification.

KPT-2410 series Piezo Transducer

FREQUENCY RESPONSE

[actual curve of type]



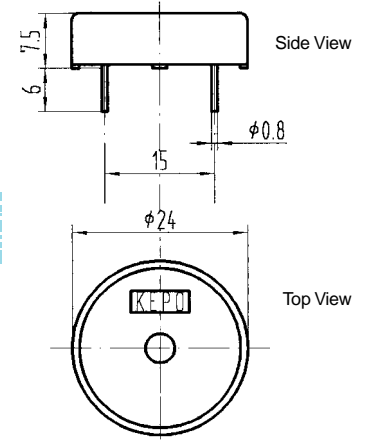
applied voltage: 12Vp-p, 1/2 duty, square wave distance for measurement: 10cm

Model No	KPT-2410
Rated Voltage	12Vp-p Square Wave
Max. Allowable Voltage	30Vp-p Square Wave
Max. Rated Current	4mA at 4.0KHz/12Vp-p Square Wave
Min. Sound Pressure Level	85dB at 4.0KHz/12Vp-p Square Wave/10cm
Resonant Frequency	4.0±0.5KHz
Operating Temperature	-20~+60jæ
Weight	3.5g



color Black
ABS Housing Material
Pin Terminal

DIMENSIONS



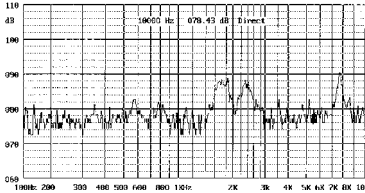
all dimensions are in mm

* Value applying at rated voltage

KPT-2420 series Piezo Transducer

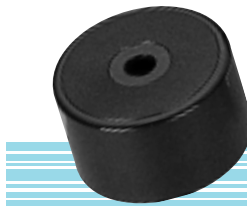
FREQUENCY RESPONSE

[actual curve of type]



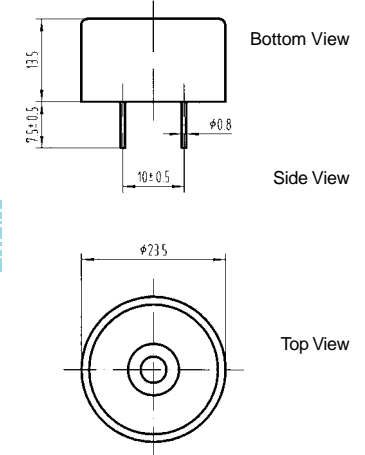
applied voltage: 12Vp-p, 1/2 duty, square wave distance for measurement: 30cm

Model No	KPT-2420
Rated Voltage	12Vp-p Square Wave
Max. Allowable Voltage	30Vp-p Square Wave
Max. Rated Current	4mA at 2.4KHz/12Vp-p Square Wave
Min. Sound Pressure Level	83dB at 2.4KHz/12Vp-p Square Wave/30cm
Resonant Frequency	2.4±0.5KHz
Operating Temperature	-20~+60jæ
Weight	4g



color Black
ABS Housing Material
Pin Terminal

DIMENSIONS



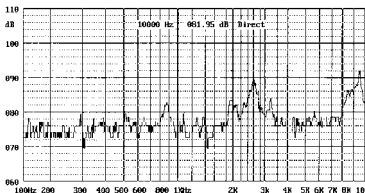
all dimensions are in mm

* Value applying at rated voltage

KPT-2421G series Piezo Transducer

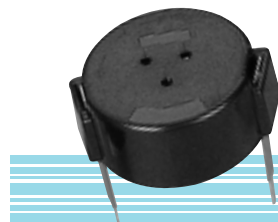
FREQUENCY RESPONSE

[actual curve of type]



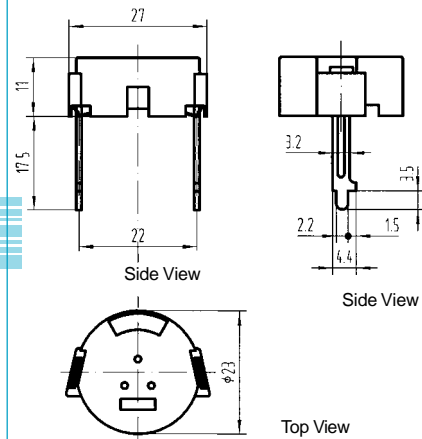
applied voltage: 12Vp-p, 1/2 duty, square wave distance for measurement: 30cm

Model No	KPT-2421G
Rated Voltage	12Vp-p Square Wave
Max. Allowable Voltage	30Vp-p Square Wave
Max. Rated Current	3.5mA at 2.5KHz/12Vp-p Square Wave
Min. Sound Pressure Level	78dB at 2.5KHz/12Vp-p Square Wave/30cm
Resonant Frequency	2.5±0.5KHz
Operating Temperature	-20~+60jæ
Weight	3g



color Black
PA66Housing Material
Pin Terminal

DIMENSIONS



all dimensions are in mm

* Value applying at rated voltage

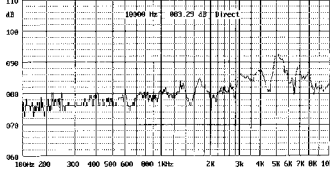
The information contained herein is believed to be correct, but no guarantee for accuracy, completeness KEPO Electronics Ltd. reserves the right to make changes without notification.

Piezo Transducer

KPT-1740BP series Piezo Transducer

FREQUENCY RESPONSE

[actual curve of type]



applied voltage: 12Vp-p, 1/2 duty, square wave distance for measurement: 10cm

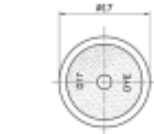
Model No	KPT-1740BP
Rated Voltage	9Vp-p Square Wave
Operating Voltage	3V<30Vp-p Square Wave
Max. Rated Current	3mA/9Vp-p Square Wave/4KHz
Resonant Frequency	4.0±0.5KHz
Min. Sound Pressure Level	90dB/9Vp-p Square Wave/10cm
Capacitance at 100Hz	12000pF±30%
Housing Material/Color	PC/Black
Operating Temperature	-20℃~+80℃
Store Temperature	-30℃~+100℃
Weight	2g

* Value applying at rated voltage

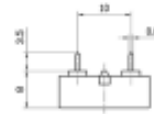


color Black
PC Housing Material
Pin Terminal

DIMENSIONS



Bottom View



Side View



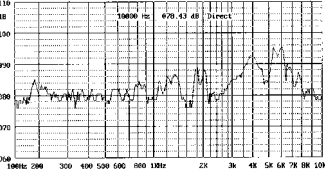
Top View

all dimensions are in mm

KPT-1712A series Piezo Transducer

FREQUENCY RESPONSE

[actual curve of type]



applied voltage: 12Vp-p, 1/2 duty, square wave distance for measurement: 10cm

Model No	KPT-1712B
Rated Voltage	3Vp-p Square Wave
Max. Allowable Voltage	25Vp-p Square Wave
Max. Rated Current	2mA at 2.0KHz / 3Vp-p Square Wave
Min. Sound Pressure Level	70 dB at 2.0KHz / 3Vp-p Square Wave/10cm
Resonant Frequency	2.0±0.5KHz
Capacitance at 100Hz	34000pF±30%
Housing Material / Color	PBT+30%FIB/Black
Operating Temperature	-20℃~+70℃
Store Temperature	-40℃~+80℃
Weight	2g

* Value applying at rated voltage



color Black
PC Housing Material
Pin Terminal

DIMENSIONS



Bottom View



Side View



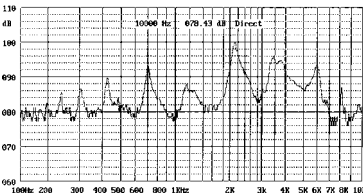
Top View

all dimensions are in mm

KPT-3020 series Piezo Transducer

FREQUENCY RESPONSE

[actual curve of type]



applied voltage: 12Vp-p, 1/2 duty, square wave distance for measurement: 10cm

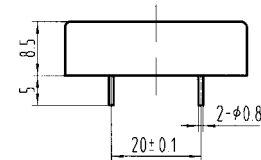
Model No	KPT-3020
Rated Voltage	12Vp-p Square Wave
Max. Allowable Voltage	30Vp-p Square Wave
Max. Rated Current	3.5mA at 2.0KHz / 12Vp-p Square Wave
Min. Sound Pressure Level	85dB at 2.0KHz / 12Vp-p Square Wave/10cm
Resonant Frequency	2.0±0.5KHz
Operating Temperature	-20~+60±
Weight	6g

* Value applying at rated voltage

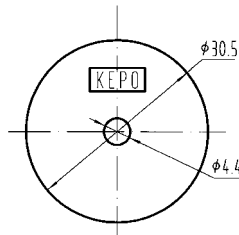


color Black
PC Housing Material
Pin Terminal

DIMENSIONS



Side View



Top View

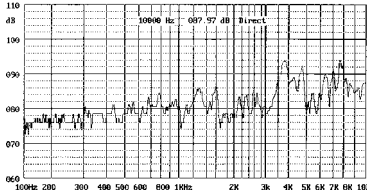
all dimensions are in mm

The information contained herein is believed to be correct, but no guarantee for accuracy, completeness KEPO Electronics Ltd. reserves the right to make changes without notification.

Piezo Transducer

KPT-1340 series Piezo Transducer

FREQUENCY RESPONSE
[actual curve of type]



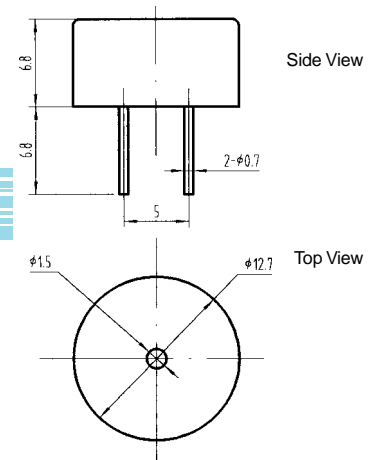
applied voltage: 12Vp-p, 1/2 duty, square wave distance for measurement: 10cm

Model No	KPT-1340
Rated Voltage	12Vp-p Square Wave
Max. Allowable Voltage	30Vp-p Square Wave
Max. Rated Current	4mA at 4.0KHz/12Vp-p Square Wave
Min Sound Pressure Level	80dB at 4.0KHz/12Vp-p Square Wave/10cm
Resonant Frequency	4.0±0.5 KHz
Operating Temperature	-20~+80jæ
Weight	1g



color Black
PC Housing Material
Pin Terminal

DIMENSIONS

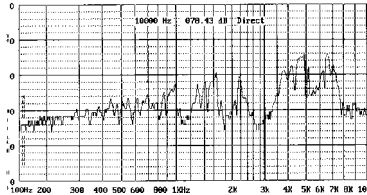


all dimensions are in mm

* Value applying at rated voltage

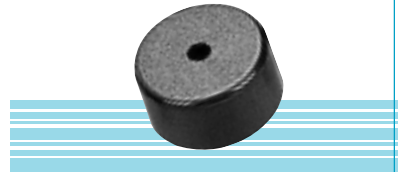
KPT-1410 series Piezo Transducer

FREQUENCY RESPONSE
[actual curve of type]



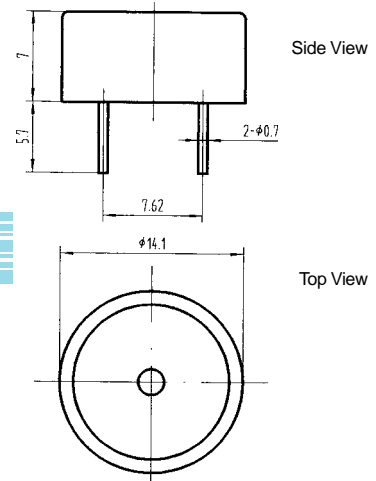
applied voltage: 12Vp-p, 1/2 duty, square wave distance for measurement: 10cm

Model No	KPT-1410
Rated Voltage	12Vp-p Square Wave
Max. Allowable Voltage	30Vp-p Square Wave
Max. Rated Current	2mA at 4.0 KHz/12Vp-p Square Wave
Min Sound Pressure Level	80dB at 4.0 KHz/12Vp-p Square Wave/10cm
Resonant Frequency	4.0±0.5KHz
Operating Temperature	-20~+80jæ
Weight	1g



color Black
PBT Housing Material
Pin Terminal

DIMENSIONS

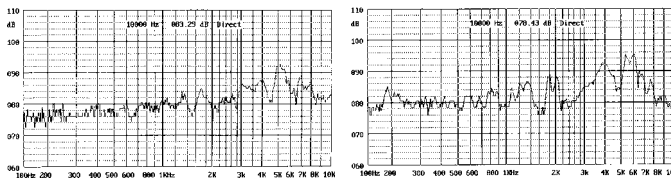


all dimensions are in mm

* Value applying at rated voltage

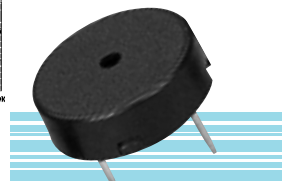
KPT-1711 series Piezo Transducer

FREQUENCY RESPONSE
[actual curve of type]



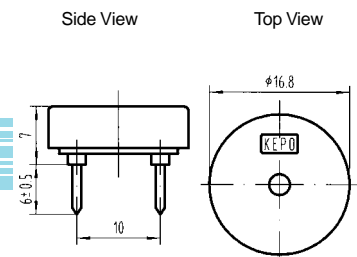
applied voltage: 12Vp-p, 1/2 duty, square wave distance for measurement: 10cm

Model No	KPT-1711A/KPT-1711
Rated Voltage	12Vp-p Square Wave
Max. Allowable Voltage	30Vp-p Square Wave
Max. Rated Current	2mA at 4.0KHz/12Vp-p Square Wave
Min. Sound Pressure Level	80dB at 4.0KHz/12Vp-p Square Wave/10cm
Resonant Frequency	4.0±0.5KHz
Operating Temperature	-20~+80jæ
Weight	2g



color Black
PA Housing Material
Pin Terminal

DIMENSIONS



all dimensions are in mm

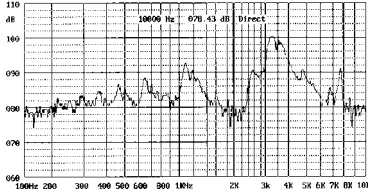
* Value applying at rated voltage

The information contained herein is believed to be correct, but no guarantee for accuracy, completeness KEPO Electronics Ltd. reserves the right to make changes without notification.

Piezo Transducer

KPT-2310 series Piezo Transducer

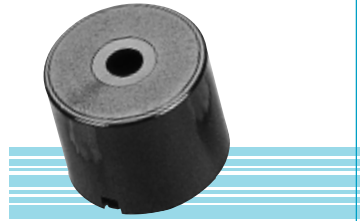
FREQUENCY RESPONSE
[actual curve of type]



applied voltage: 12 vp-p, 1/2 duty, square wave distance for measurement: 10cm

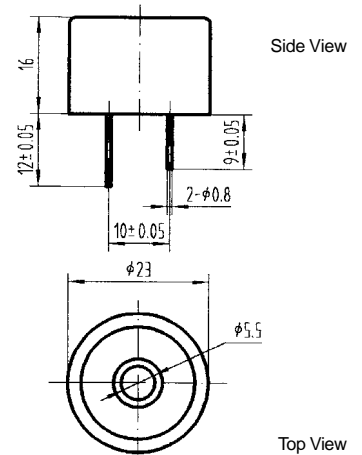
Model No	KPT-2310
Rated Voltage	12Vp-p Square Wave
Max. Allowable Voltage	30Vp-p Square Wave
Max. Rated Current	4mA at 3.5KHz/12Vp-p Square Wave
Min Sound Pressure Level	85dB at 3.5KHz/12Vp-p Square Wave/10cm
Resonant Frequency	3.5j±0.5KHz
Operating Temperature	-20~+60jæ
Weight	3.5g

* Value applying at rated voltage



color Black
ABS Housing Material
Pin Terminal

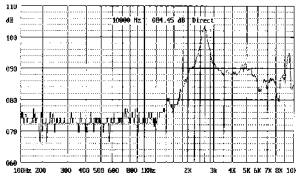
DIMENSIONS



all dimensions are in mm

KPT-2311 series Piezo Transducer

FREQUENCY RESPONSE
[actual curve of type]



applied voltage: 3Vrms Sine Wave 1/2 duty, square wave distance for measurement: 10cm

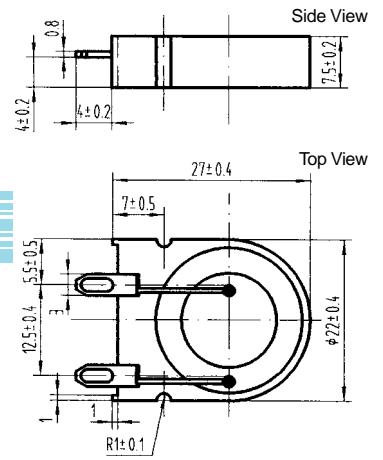
Model No	KPT-2311
Rated Voltage	3Vrms Sine Wave
Max. Allowable Voltage	30Vp-p Square Wave
Max. Rated Current	2mA at 2.0KHz/3Vrms Sine Wave
Min. Sound Pressure Level	75dB at 2.0KHz/3V rms Sine Wave/10cm
Resonant Frequency	2.0j±0.5 KHz
Operating Temperature	-20~+80jæ
Weight	3g

* Value applying at rated voltage



color Black
PC Housing Material
Pin Terminal

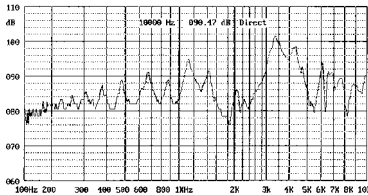
DIMENSIONS



all dimensions are in mm

KPT-2210 series Piezo Transducer

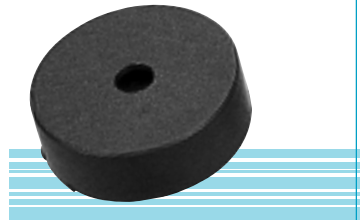
FREQUENCY RESPONSE
[actual curve of type]



applied voltage: 12 vp-p, 1/2 duty, square wave distance for measurement: 10cm

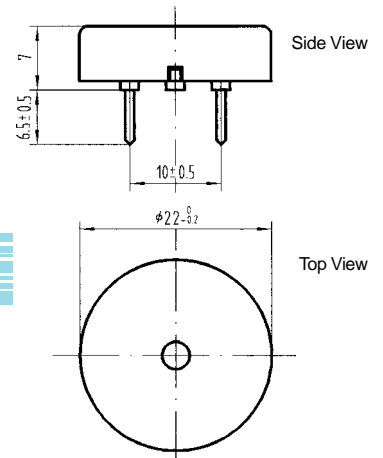
Model No	KPT-2210
Rated Voltage	12Vp-p Square Wave
Max. Allowable Voltage	30Vp-p Square Wave
Max. Rated Current	3mA at 4.0 KHz/12Vp-p Square Wave
Min. Sound Pressure Level	88dB at 4.0KHz/12Vp-p Square Wave/10cm
Resonant Frequency	4.0j±0.5 KHz
Operating Temperature	-20~+80jæ
Weight	2.5g

* Value applying at rated voltage



color Black
PA Housing Material
Pin Terminal

DIMENSIONS



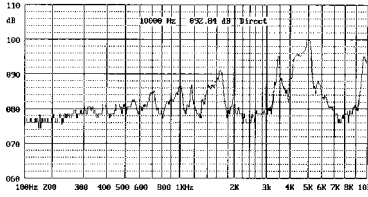
all dimensions are in mm

The information contained herein is believed to be correct, but no guarantee for accuracy, completeness KEPO Electronics Ltd. reserves the right to make changes without notification.

Piezo Transducer

KPT-3510 series Piezo Transducer

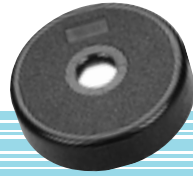
FREQUENCY RESPONSE
[actual curve of type]



applied voltage: 12Vp-p, 1/2 duty, square wave distance for measurement: 30cm

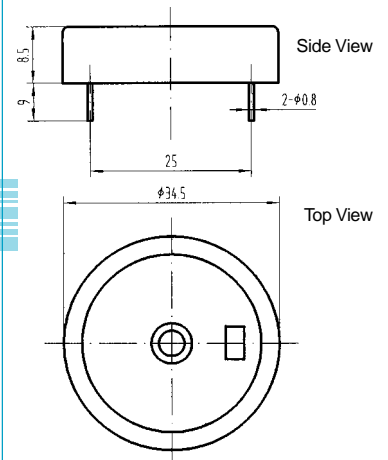
Model No	KPT-3510
Rated Voltage	12Vp-p Square Wave
Max. Allowable Voltage	30Vp-p Square Wave
Max. Rated Current	3mA at 1.0 KHz/12Vp-p Square Wave
Min Sound Pressure Level	75dB at 1.0 KHz/12Vp-p Square Wave/30cm
Resonant Frequency	1.0±0.5KHz
Operating Temperature	-20~+60jæ
Weight	7g

* Value applying at rated voltage



color Black
ABS Housing Material
Pin Terminal

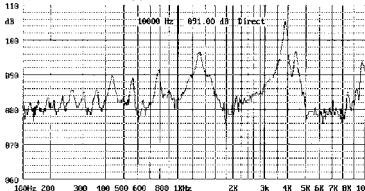
DIMENSIONS



all dimensions are in mm

KPT-3310 series Piezo Transducer

FREQUENCY RESPONSE
[actual curve of type]



applied voltage: 12Vp-p, 1/2 duty, square wave distance for measurement: 10cm

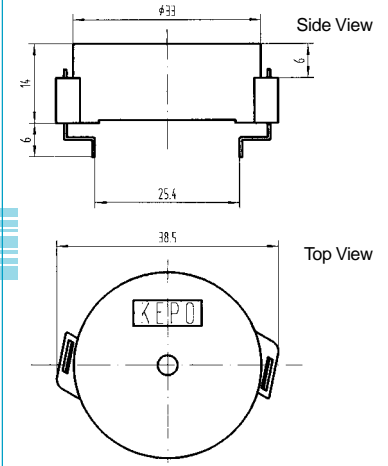
Model No	KPT-3310
Rated Voltage	12Vp-p Square Wave
Max. Allowable Voltage	30Vp-p Square Wave
Max. Rated Current	3.5mA at 1.3 KHz/12Vp-p Square Wave
Min Sound Pressure Level	75dB at 1.3 KHz/12Vp-p Square Wave/10cm
Resonant Frequency	1.3±0.5KHz
Operating Temperature	-20~+60jæ
Weight	5g

* Value applying at rated voltage



color Black
ABS Housing Material
Pin Terminal

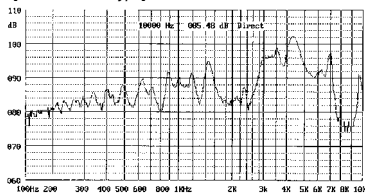
DIMENSIONS



all dimensions are in mm

KPT-3010 series Piezo Transducer

FREQUENCY RESPONSE
[actual curve of type]



applied voltage: 12Vp-p, 1/2 duty, square wave distance for measurement: 10cm

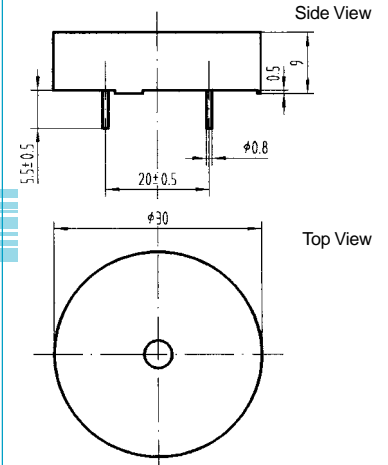
Model No	KPT-3010
Rated Voltage	12Vp-p Square Wave
Max. Allowable Voltage	30Vp-p Square Wave
Max. Rated Current	8mA at 3.6 KHz/12Vp-p Square Wave
Min Sound Pressure Level	90dB at 3.6 KHz/12Vp-p Square Wave/10cm
Resonant Frequency	3.6±0.5KHz
Operating Temperature	-20~+60jæ
Weight	7g

* Value applying at rated voltage



color Black
PC Housing Material
Pin Terminal

DIMENSIONS



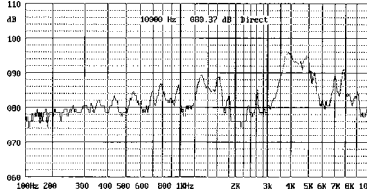
all dimensions are in mm

The information contained herein is believed to be correct, but no guarantee for accuracy, completeness KEPO Electronics Ltd. reserves the right to make changes without notification.

Piezo Transducer

KPT-1210 series Piezo Transducer

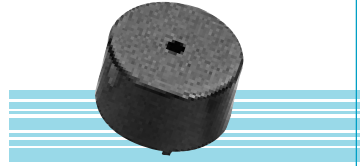
FREQUENCY RESPONSE
[actual curve of type]



applied voltage: 12Vp-p, 1/2 duty, square wave distance for measurement: 10cm

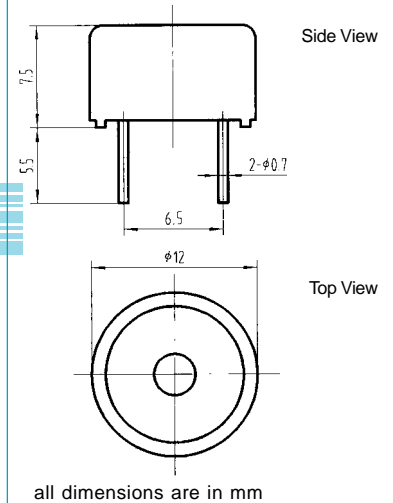
Model No	KPT-1210
Rated Voltage	12Vp-p Square Wave
Max. Allowable Voltage	30Vp-p Square Wave
Max. Rated Current	3mA at 4.5 KHz/12Vp-p Square Wave
Min Sound Pressure Level	80dB at 4.5 KHz/12Vp-p Square Wave/10cm
Resonant Frequency	4.5j±0.5KHz
Operating Temperature	-20~+80jæ
Weight	2g

* Value applying at rated voltage



color Black
PC Housing Material
Pin Terminal

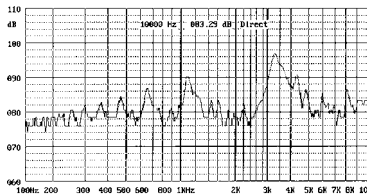
DIMENSIONS



all dimensions are in mm

KPT-1720 series Piezo Transducer

FREQUENCY RESPONSE
[actual curve of type]



applied voltage: 12Vp-p, 1/2 duty, square wave distance for measurement: 10cm

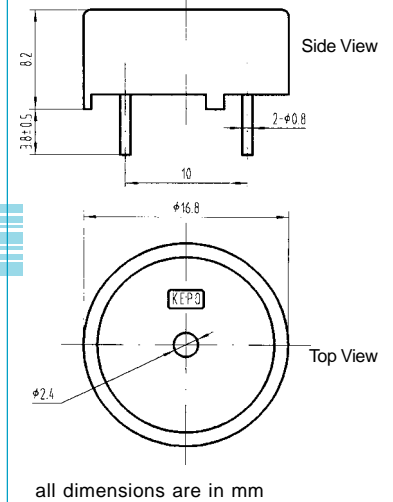
Model No	KPT-1720
Rated Voltage	12Vp-p Square Wave
Max. Allowable Voltage	30Vp-p Square Wave
Max. Rated Current	3mA at 4.0KHz/12Vp-p Square Wave
Min Sound Pressure Level	85dB at 4.0KHz/12Vp-p Square Wave/10cm
Resonant Frequency	4.0j±0.5 KHz
Operating Temperature	-20~+60jæ
Weight	2g

* Value applying at rated voltage



color Black
PC Housing Material
Pin Terminal

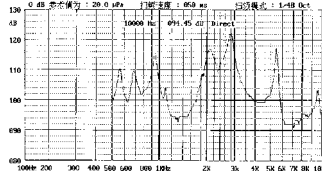
DIMENSIONS



all dimensions are in mm

KPT-3018series Piezo Transducer

FREQUENCY RESPONSE
[actual curve of type]



applied voltage: 12Vp-p, 1/2 duty, square wave distance for measurement: 10cm

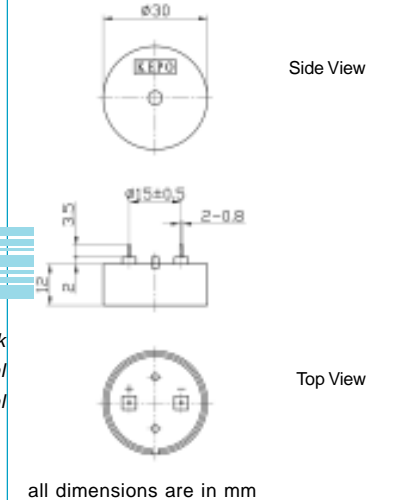
Model No	KPT-3018
Rated Voltage	12Vp-p Square Wave
Operating Voltage	3j±30Vp-p Square Wave
Max. Rated Current	4mA
Min. Sound Pressure Level	75dB/30cm
Resonant Frequency	2.0j±0.5KHz
Capacitance at 100Hz	26000pFj±30%pF
Housing Material / Color	PC/Black
Operating Temperature	-20j±+85jæ
Store Temperature	-30j±+85jæ
Weight	6g

* Value applying at rated voltage



color Black
PC Housing Material
Pin Terminal

DIMENSIONS



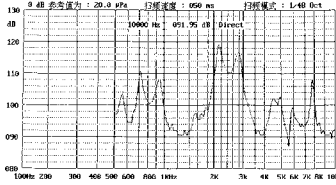
all dimensions are in mm

The information contained herein is believed to be correct, but no guarantee for accuracy, completeness KEPO Electronics Ltd. reserves the right to make changes without notification.

Piezo Transducer

KPT-2328BP series Piezo Transducer

FREQUENCY RESPONSE
[actual curve of type]



applied voltage: 12 Vp-p, 1/2 duty, square wave distance for measurement: 10cm

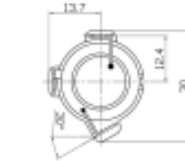
Model No	KPT-2328BP
Rated Voltage	9Vp-p Square Wave
Max.Allowable Voltage	30Vp-p Square Wave
Max.Rated Current	2mA at 2.8KHz/9Vp-p Square Wave
Min.Sound Pressure Level	90dB at 2.8KHz/9Vp-p Square Wave/10cm
Capacitance at 100Hz	25000pF±30%
Housing Material/Color	PC/Black
Operating Temperature	-20℃~+60℃
Store Temperature	-30℃~+70℃
Weight	3g

* Value applying at rated voltage

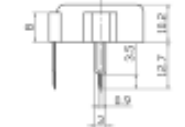


color Black
PC Housing Material
Pin Terminal

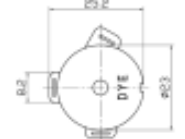
DIMENSIONS



Bottom View



Side View

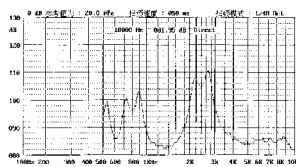


Top View

all dimensions are in mm

KPT-1910 series Telephone Ringer

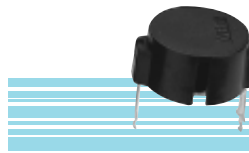
FREQUENCY RESPONSE
[actual curve of type]



applied voltage: 12 Vp-p, 1/2 duty, square wave distance for measurement: 10cm

Model No	KPT-1910
Rated Voltage	10Vp-p Square Wave
Operating Voltage	30Vp-p Square Wave
Max.Rated Current	9mA at 10Vp-p Square Wave
Min. Sound Pressure Level	90dB at 10Vp-p Square Wave/2.7KHz/10cm
Resonant Frequency	2.7±0.5KHz
Capacitance at 100Hz	32000pF±30%
Housing Material / Color	PA/Black
Operating Temperature	-20℃~+80℃
Store Temperature	-30℃~+100℃
Weight	2g

* Value applying at rated voltage

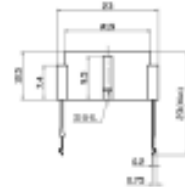


color Black
PA Housing Material
Pin Terminal

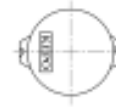
DIMENSIONS



Bottom View



Side View

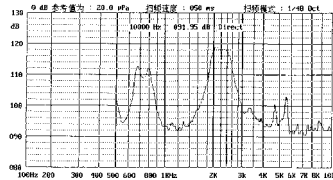


Top View

all dimensions are in mm

KPT-3017 series Piezo Telephone Ringer

FREQUENCY RESPONSE
[actual curve of type]



applied voltage: 12 Vp-p, 1/2 duty, square wave distance for measurement: 10cm

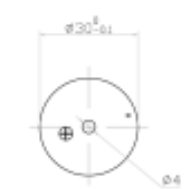
Model No	KPT-3017
Rated Voltage	12Vp-p Square Wave
Operating Voltage	31~30Vp-p Square Wave
Max.Rated Current	10mA/12Vp-p Square Wave
Min. Sound Pressure Level	85dB/30cm/12Vp-p Square Wave
Resonant Frequency	2.0±0.5KHz
Capacitance at 100Hz	4800pF±30%
Housing Material / Color	PBT/Black
Operating Temperature	-20℃~+70℃
Store Temperature	-30℃~+85℃
Weight	6g

* Value applying at rated voltage



color Black
PBT Housing Material
Pin Terminal

DIMENSIONS



Bottom View



Side View



Top View

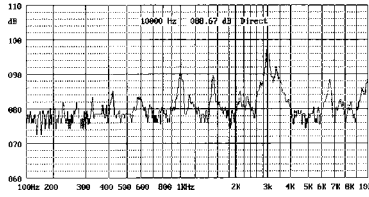
all dimensions are in mm

The information contained herein is believed to be correct, but no guarantee for accuracy, completeness KEPO Electronics Ltd. reserves the right to make changes without notification.

Piezo Transducer

KPT-4414 series Piezo Transducer

FREQUENCY RESPONSE
[actual curve of type]



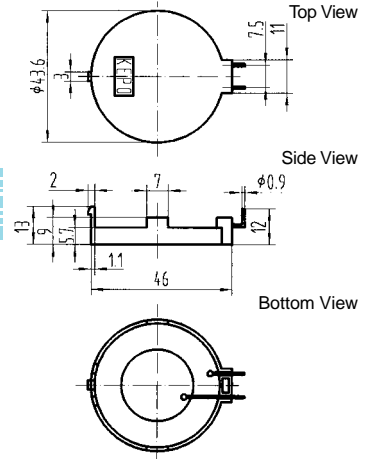
Model No	KPT-4414
Rated Voltage	12Vp-p Square Wave
Max. Allowable Voltage	30Vp-p Square Wave
Max. Rated Current	4mA at 1.0KHz/12Vp-p Square Wave
Min. Sound Pressure Level	70dB at 1.0KHz/12Vp-p Square Wave/30cm
Resonant Frequency	1.0j±0.5KHz
Operating Temperature	-20~+60jæ
Weight	5.5g

* Value applying at rated voltage



color Black
ABS Housing Material
Pin Terminal

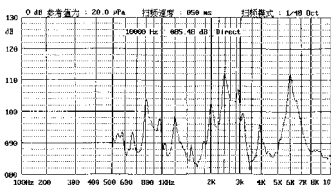
DIMENSIONS



all dimensions are in mm

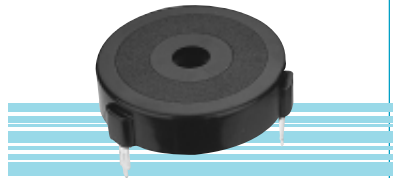
KPT-4110 series Piezo Transducer

FREQUENCY RESPONSE
[actual curve of type]



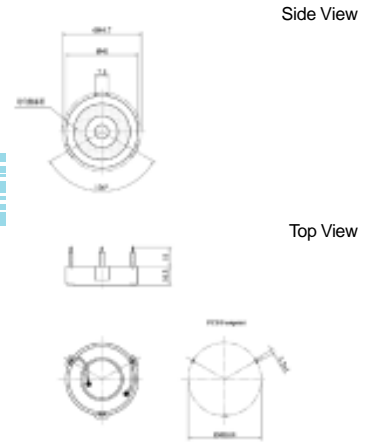
Model No	KPT-4110A
Rated Voltage	12Vp-p Square Wave
Operating Voltage	30Vp-p Square Wave
Max. Rated Current	10jAAat2.5KHz/12Vp-p Square Wave
Resonant Frequency	2.5j±0.3KHz
TMin. Sound Pressure Level	90dB/2.5KHz/12Vp-p Square Wave/30cm
Capacitance at 100Hz	25000pFj±30%
Housing Material/Color	ABS/Black
Operating Temperature	-20j«+60jæC
Store Temperature	-30j«+70jæC
Weight	9g

* Value applying at rated voltage



color Black
ABS Housing Material
Pin Terminal

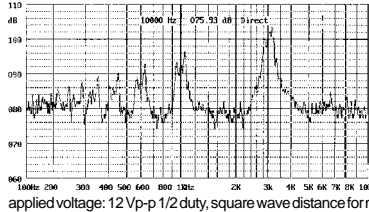
DIMENSIONS



all dimensions are in mm

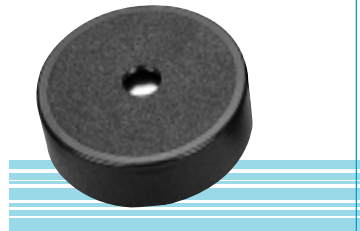
KPT-4310 series Piezo Transducer

FREQUENCY RESPONSE
[actual curve of type]



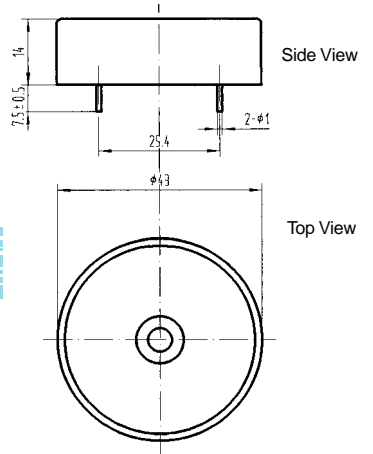
Model No	KPT-4310
Rated Voltage	12Vp-p Square Wave
Max. Allowable Voltage	30Vp-p Square Wave
Max. Rated Current	5mA at 3.3KHz/12Vp-p Square Wave
Min Sound Pressure Level	90dB at 3.3KHz/12Vp-p Square Wave/30cm
Resonant Frequency	3.3j±0.5 KHz
Operating Temperature	-20~+60jæ
Weight	10g

* Value applying at rated voltage



color Black
ABS Housing Material
Pin Terminal

DIMENSIONS

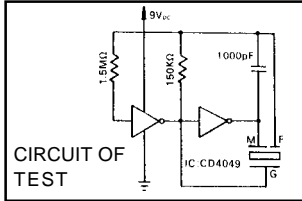


all dimensions are in mm

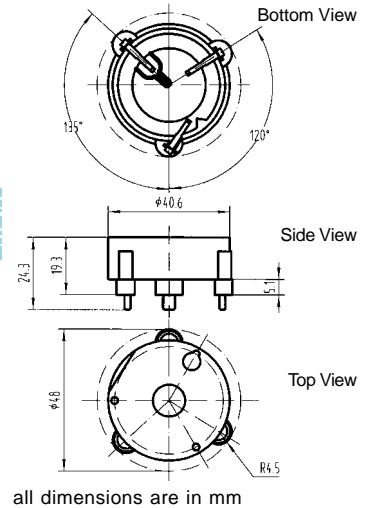
The information contained herein is believed to be correct, but no guarantee for accuracy, completeness KEPO Electronics Ltd. reserves the right to make changes without notification.

KPT3-4100 series Piezo Transducer

DIMENSIONS



color straw yellow
PA66 Housing Material
Pin Terminal



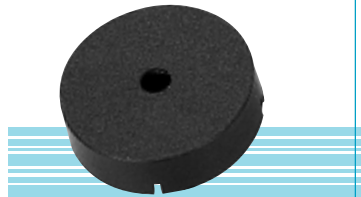
Model No	KPT3-4100
Rated Voltage	9VDC
Operating Voltage	6/12VDC
Max. Rated Current	10mA at 9VDC
Min. Sound Pressure Level	95dB at 9VDC/30cm
Resonant Frequency	3.4j±0.5KHz
Tone Nature	Continuous
Operating Temperature	-20~+60jæ
Weight	11g

* Value applying at rated voltage

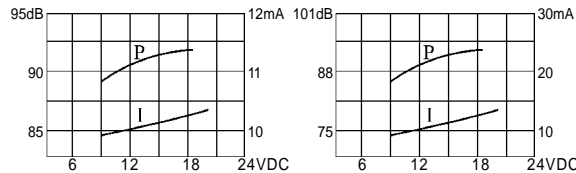
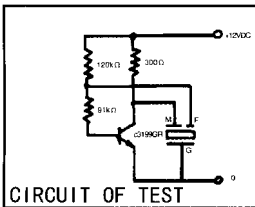
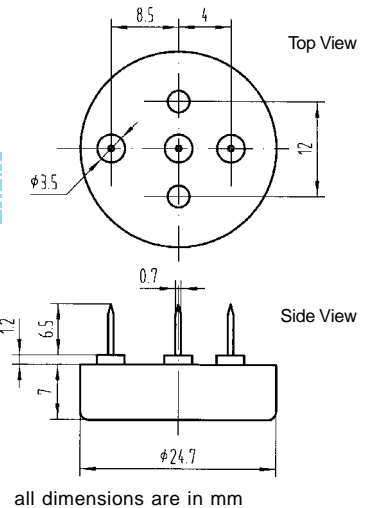
KPT3-2510 series Piezo Transducer

DIMENSIONS

Model No	KPT3-2512	KPT3-2510
Rated Voltage	12VDC	12VDC
Operating Voltage	3~24VDC	3~24VDC
Max. Rated Current	25mA at 12VDC	18mA at 12VDC
Min. Sound Pressure Level	88dB at 12VDC/10cm	90dB at 12VDC/10cm
Resonant Frequency	3.5j±0.5KHz	6.0j±0.5KHz
Tone Nature	Continuous	Continuous
Operating Temperature	-20~+80jæ	-20~+80jæ
Weight	4g	4g



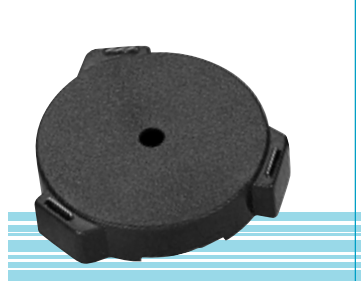
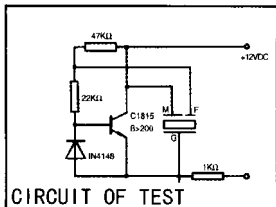
color Black
PA Housing Material
Pin Terminal



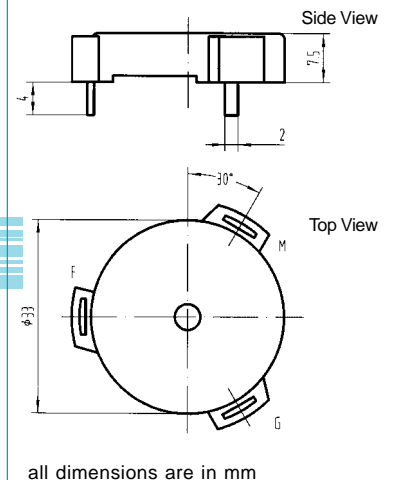
* Value applying at rated voltage

KPT3-3320 series Piezo Transducer

DIMENSIONS



color Black
PBT Housing Material
Pin Terminal

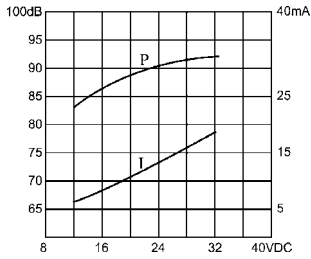
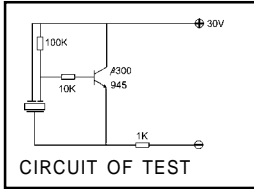


Model No	KPT3-3320
Rated Voltage	12VDC
Operating Voltage	3~24VDC
Max. Rated Current	8mA at 12VDC
Min. Sound Pressure Level	75dB at 12VDC/30cm
Resonant Frequency	2.0j±0.5KHz
Tone Nature	Continuous
Operating Temperature	-20~+80jæ
Weight	5g

* Value applying at rated voltage

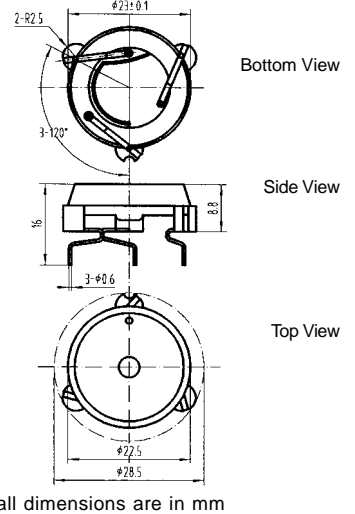
The information contained herein is believed to be correct, but no guarantee for accuracy, completeness KEPO Electronics Ltd. reserves the right to make changes without notification.

KPT3-2330 series Piezo Transducer



color White
PBT Housing Material
Pin Terminal

DIMENSIONS



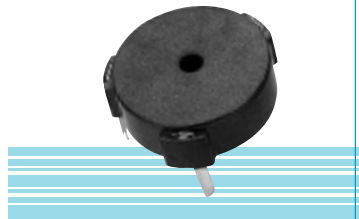
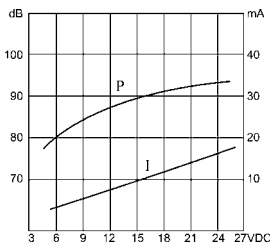
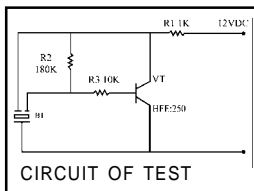
Model No

KPT3-2330

Rated Voltage	30VDC
Operating Voltage	3-40VDC
Max. Rated Current	25mA at 30VDC
Min. Sound Pressure Level	75dB at 30VDC / 1m
Resonant Frequency	4.0±0.5 KHz
Tone Nature	Continuous
Operating Temperature	-20~+70±æ
Weight	2g

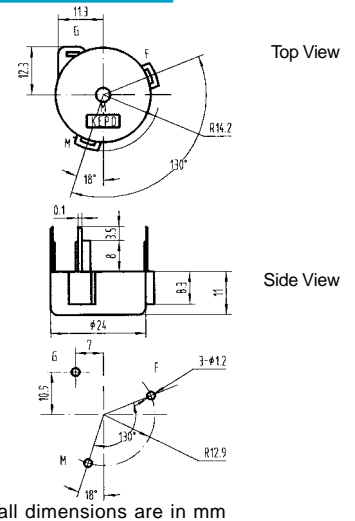
* Value applying at rated voltage

KPT3-2438 series Piezo Transducer



color Black
PA Housing Material
Pin Terminal

DIMENSIONS



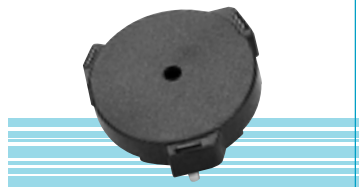
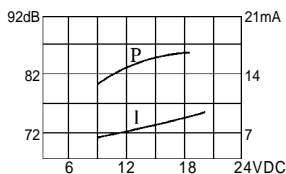
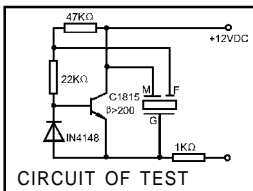
Model No

KPT3-2438

Rated Voltage	9 VDC
Operating Voltage	3-27 VDC
Max. Rated Current	9mA at 9VDC
Min Sound Pressure Level	80dB at 9VDC / 30cm
Resonant Frequency	4.0±0.5 KHz
Tone Nature	Continuous
Operating Temperature	-20~+70±æ
Weight	3.8g

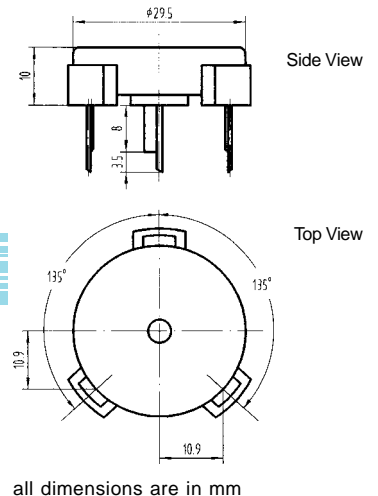
* Value applying at rated voltage

KPT3-3030 series Piezo Transducer



color Black
ABS Housing Material
Pin Terminal

DIMENSIONS



Model No

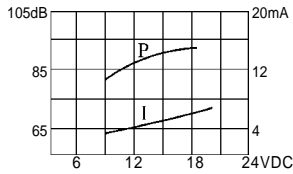
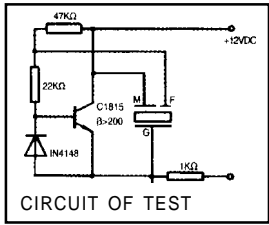
KPT3-3030

Rated Voltage	12VDC
Operating Voltage	3-24VDC
Max. Rated Current	7mA at 12VDC
Min. Sound Pressure Level	82dB at 12VDC / 10cm
Resonant Frequency	2.7±0.5 KHz
Tone Nature	Continuous
Operating Temperature	-20~+80±æ
Weight	6g

* Value applying at rated voltage

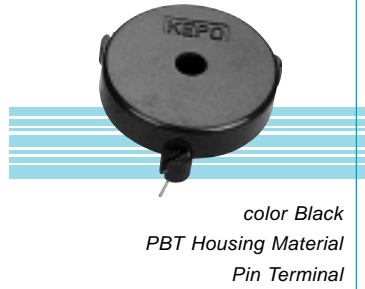
The information contained herein is believed to be correct, but no guarantee for accuracy, completeness KEPO Electronics Ltd. reserves the right to make changes without notification.

KPT3-3000 series Piezo Transducer

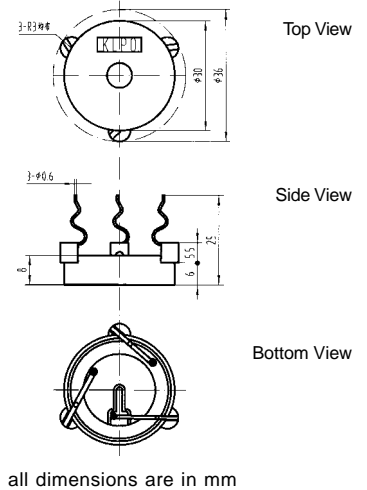


Model No	KPT3-3000
Rated Voltage	12VDC
Operating Voltage	3-24VDC
Max. Rated Current	12mA at 12VDC
Min. Sound Pressure Level	80dB at 12VDC / 30cm
Resonant Frequency	3.7±0.5KHz
Tone Nature	Continuous
Operating Temperature	-20~+80℃
Weight	4g

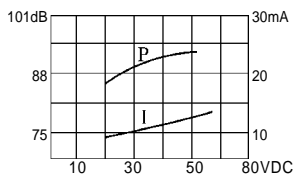
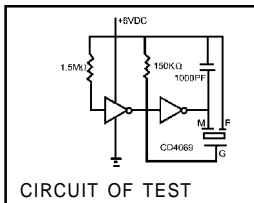
* Value applying at rated voltage



DIMENSIONS

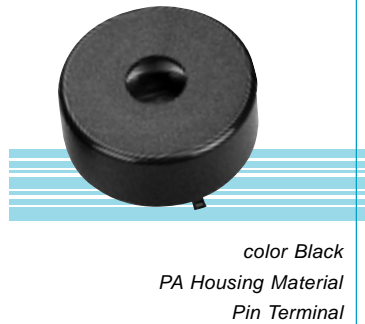


KPT3-4010G series Piezo Transducer

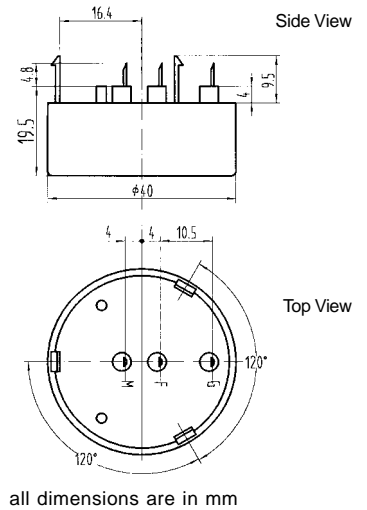


Model No	KPT3-4010G
Rated Voltage	9VDC
Operating Voltage	6-15VDC
Max. Rated Current	16mA at 9VDC
Min. Sound Pressure Level	90dB at 9VDC/30cm
Resonant Frequency	3.4±0.5KHz
Tone Nature	Continuous
Operating Temperature	-20~+80℃
Weight	13g

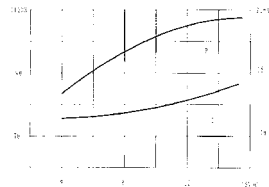
* Value applying at rated voltage



DIMENSIONS

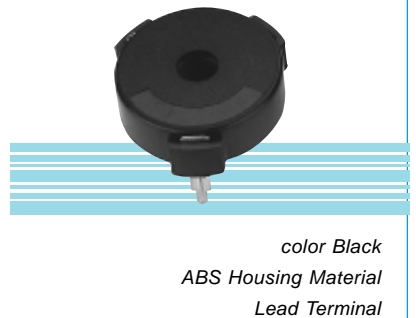


KPT3-3039series Piezo Telephone Ringer

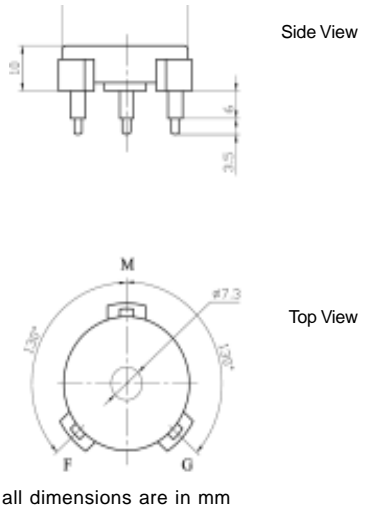


Model No	KPT3-3039
Rated Voltage	12VDC
Operating Voltage	3-18VDC
Max. Rated Current	15mA at 12VDC
Min. Sound Pressure Level	100dB at 12VDC/10cm
Tone Nature	Continuous
Capacitance at 100Hz	CM±19000pF; A30% CF±2000pF; A30%
Rated Frequency	3.9±0.5KHz
Housing Material/Color	PBT/Black
Operating Temperature	-20~+80℃
Store Temperature	-30~+100℃
Weight	6g

* Value applying at rated voltage

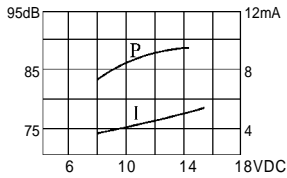


DIMENSIONS

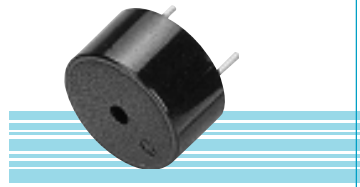


The information contained herein is believed to be correct, but no guarantee for accuracy, completeness KEPO Electronics Ltd. reserves the right to make changes without notification.

KPI-1410 series Piezo Buzzer

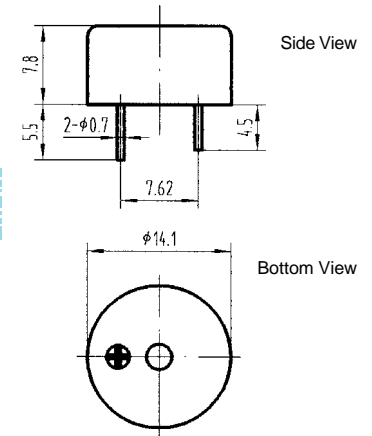


Model No	KPI-1410
Rated Voltage	12VDC
Operating Voltage	1.5~16VDC
Max. Rated Current	8mA at 12VDC
Min. Sound Pressure Level	85dB at 12VDC / 10cm
Resonant Frequency	4.0±0.5 KHz
Tone Nature	Continuous
Operating Temperature	-20~+80℃
Weight	2g



color Black
PBT Housing Material
Pin Terminal

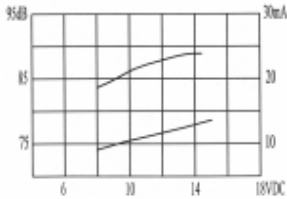
DIMENSIONS



all dimensions are in mm

* Value applying at rated voltage

KPI-1630 series Piezo Buzzer

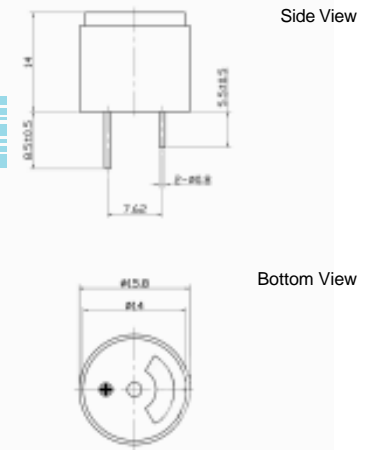


Model No	KPI-1630
Rated Voltage	12VDC
Operating Voltage	1.5~18VDC
Max. Rated Current	20mA at 12VDC
Rated Frequency	4.0±0.5KHz
Min. Sound Pressure Level	85dB at 12VDC/10cm
Tone Nature	Continuous
Housing Material/Color	PC/Black
Operating Temperature	-40~+80℃
Store Temperature	-40~+90℃
Weight	2g



color Black
PC Housing Material
Pin Terminal

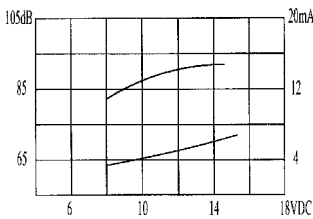
DIMENSIONS



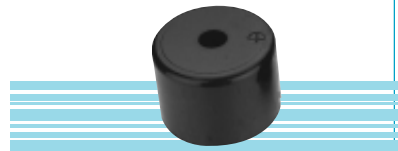
all dimensions are in mm

* Value applying at rated voltage

KPI-2329 series Piezo Buzzer

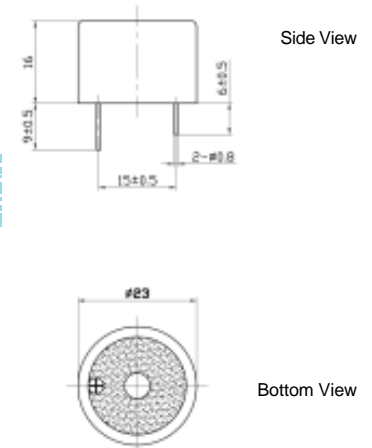


Model No	KPI-2329
Rated Voltage	12VDC
Operating Voltage	8~24VDC
Max. Rated Current	15mA at 12VDC
Min. Sound Pressure Level	85dB at 12VDC/30cm
Tone Nature	Continuous
Resonant Frequency	2.9±0.5KHz
Housing Material / Color	PC/Black
Operating Temperature	-20~+80℃
Store Temperature	-30~+100℃
Weight	5g



color Black
PC Housing Material
Pin Terminal

DIMENSIONS



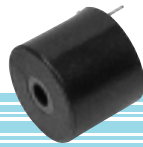
all dimensions are in mm

* Value applying at rated voltage

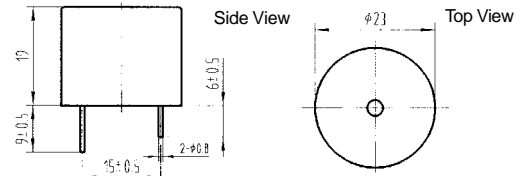
The information contained herein is believed to be correct, but no guarantee for accuracy, completeness KEPO Electronics Ltd. reserves the right to make changes without notification.

KPI-2310series Piezo Buzzer

color Black
ABS Housing Material
Pin Terminal



DIMENSIONS

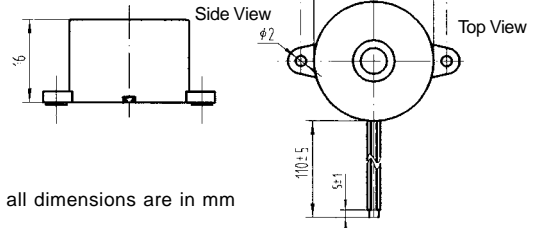


KPI-2310L series Piezo Buzzer

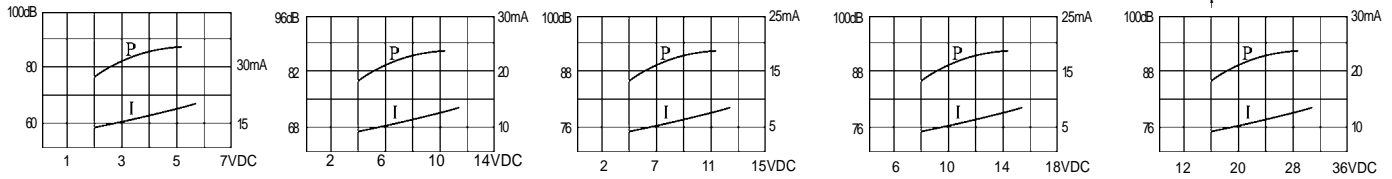
color Black
ABS Housing Material
Lead Terminal



DIMENSIONS



all dimensions are in mm



Model No	KPI-2310(L)	KPI-2311(L)	KPI-2312(L)	KPI-2313(L)	KPI-2314(L)
Rated Voltage	3VDC	6VDC	9VDC	12VDC	24VDC
Operating Voltage	2-5VDC	4-8VDC	7-12VDC	8-15VDC	20-28VDC
Max. Rated Current	25mA at 3VDC	20mA at 6VDC	15mA at 9VDC	15mA at 12VDC	20mA at 24VDC
Min. Sound Pressure Level	80dB at 3VDC/30cm	82dB at 6VDC/30cm	88dB at 9VDC/30cm	88dB at 12VDC/30cm	88dB at 24VDC/30cm
Resonant Frequency	3.4j±0.5KHz	3.4j±0.5KHz	3.3j±0.5KHz	3.3j±0.5KHz	3.1j±0.5KHz
Tone Nature	Continuous	Continuous	Continuous	Continuous	Continuous
Operating Temperature	-20~+80jæ	-20~+80jæ	-20~+80jæ	-20~+80jæ	-20~+80jæ
Weight	8g	8g	8g	8g	8g

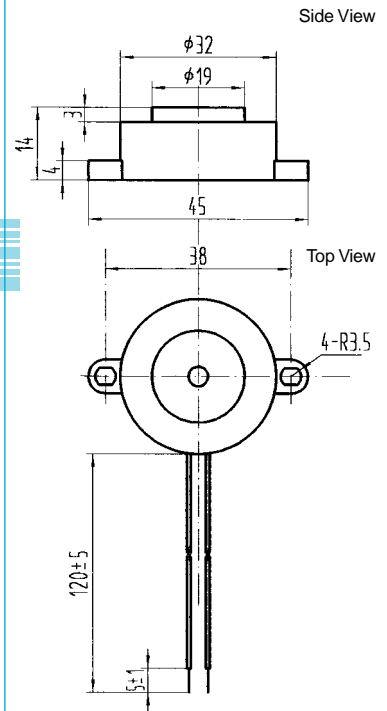
* Value applying at rated voltage

KPI-3210L series Piezo Buzzer

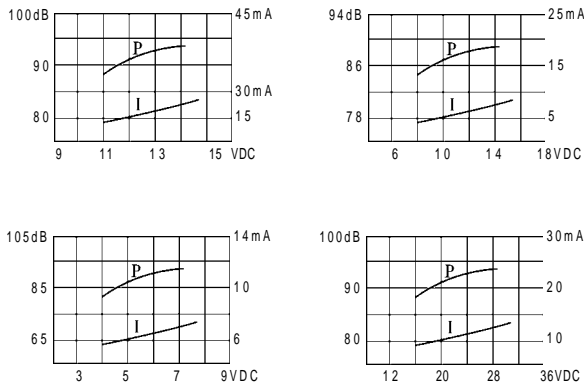
color White
ABS Housing Material
Lead Terminal



DIMENSIONS



all dimensions are in mm

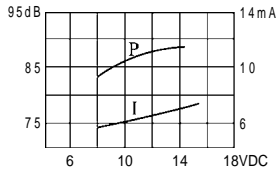


Model No	KPI-3210L	KPI-3210ML	KPI-3210L-06	KPI-3210L-24
Rated Voltage	12VDC	12VDC	6VDC	24VDC
Operating Voltage	3-24VDC	3-20VDC	4-8VDC	20-28VDC
Max. Rated Current	15mA at 12VDC	15mA at 12VDC	15mA at 6VDC	20mA at 24VDC
Min. Sound Pressure Level	90dB at 12VDC/30cm	85dB at 12VDC/30cm	85dB at 6VDC/30cm	90dB at 24VDC/30cm
Resonant Frequency	3.7j±0.5KHz	3.9j±0.5KHz	4.2j±0.5KHz	3.2j±0.5KHz
Tone Nature	Continuous	Pulse	Continuous	Continuous
Operating Temperature	-20~+60jæ	-20~+60jæ	-20~+60jæ	-20~+60jæ
Weight	8g	8g	8g	8g

* Value applying at rated voltage

The information contained herein is believed to be correct, but no guarantee for accuracy, completeness KEPO Electronics Ltd. reserves the right to make changes without notification.

KPI-2330E series Piezo Buzzer

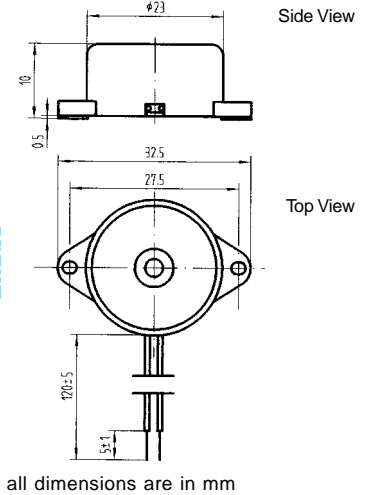


Model No	KPI-2330E
Rated Voltage	12VDC
Operating Voltage	3~24VDC
Max. Rated Current	10mA at 12VDC
Min. Sound Pressure Level	82dB at 12VDC/30cm
Resonant Frequency	3.7±0.5KHz
Tone Nature	Continuous
Operating Temperature	-20~+60jæ
Weight	3.5g



color Black
ABS Housing Material
Lead Terminal

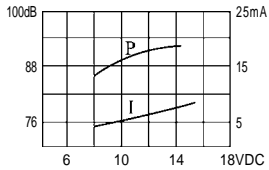
DIMENSIONS



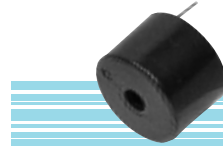
all dimensions are in mm

* Value applying at rated voltage

KPI-2343 series Piezo Buzzer

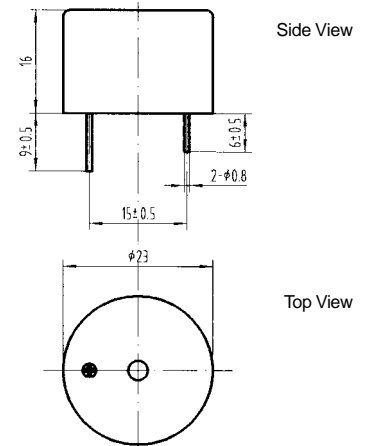


Model No	KPI-2343
Rated Voltage	12VDC
Operating Voltage	8~15VDC
Max. Rated Current	15mA at 12VDC
Min. Sound Pressure Level	88dB at 12VDC/30cm
Resonant Frequency	3.3±0.5KHz
Tone Nature	Continuous
Operating Temperature	-20~+80jæ
Weight	8g



color Black
ABS Housing Material
Pin Terminal

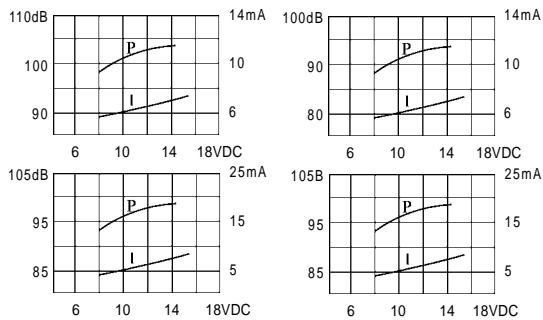
DIMENSIONS



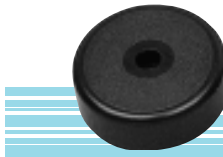
all dimensions are in mm

* Value applying at rated voltage

KPI-4330 series Piezo Buzzer

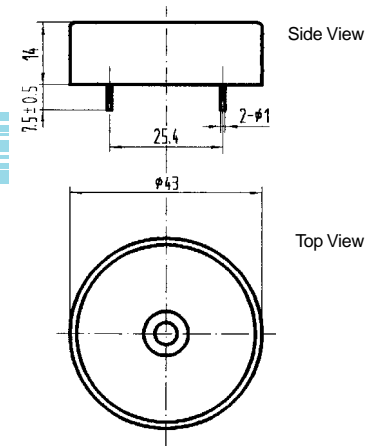


Model No	KPI-4330	KPI-4331	KPI-4332	KPI-4333
Rated Voltage	12VDC	12VDC	12VDC	12VDC
Operating Voltage	3~20VDC	3~20VDC	3~20VDC	3~20VDC
Max. Rated Current	10mA at 12VDC	10mA at 12VDC	15mA at 12VDC	15mA at 12VDC
Min. Sound Pressure Level	100dB at 12VDC/30cm	90dB at 12VDC/30cm	95dB at 12VDC/30cm	95dB at 12VDC/30cm
Resonant Frequency	2.9±0.5KHz	2.9±0.5KHz	2.9±0.5KHz	2.9±0.5KHz
Tone Nature	Continuous	Continuous	Slow Pulse	Fast Pulse
Operating Temperature	-20~+60jæ	-20~+60jæ	-20~+60jæ	-20~+60jæ
Weight	11g	11g	12g	12g



color Black
ABS Housing Material
Pin Terminal

DIMENSIONS



all dimensions are in mm

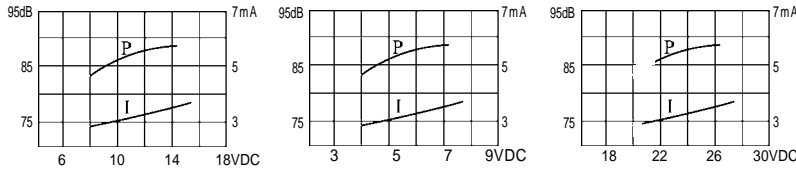
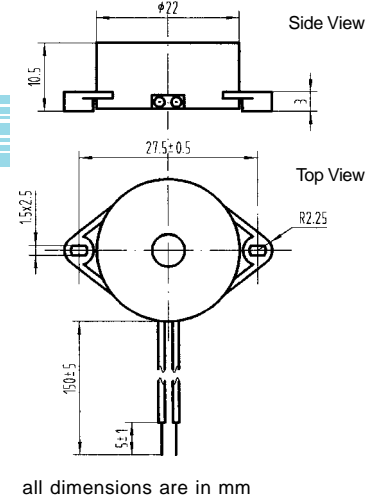
* Value applying at rated voltage

KPI-2210L series Piezo Buzzer

Model No	KPI-2210L	KPI-2210L-06	KPI-2210-24
Rated Voltage	12VDC	6VDC	24VDC
Operating Voltage	3~30VDC	4~8VDC	18~30VDC
Max. Rated Current	15mA at 12VDC	15mA at 6VDC	20mA at 24VDC
Min. Sound Pressure Level	85dB at 12VDC/30cm	85dB at 6VDC/30cm	85dB at 24VDC/30cm
Resonant Frequency	4.5±0.5KHz	4.8±0.5KHz	4.8±0.5KHz
Tone Nature	Continuous	Continuous	Continuous
Operating Temperature	-20~+80jæ	-20~+80jæ	-20~+80jæ
Weight	6g	6g	6g

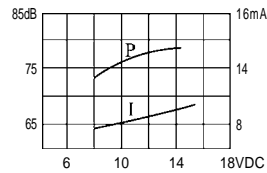


DIMENSIONS

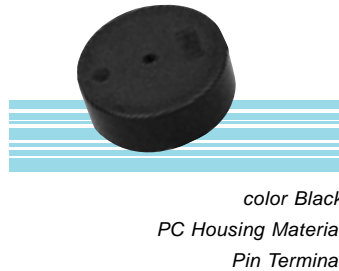


* Value applying at rated voltage

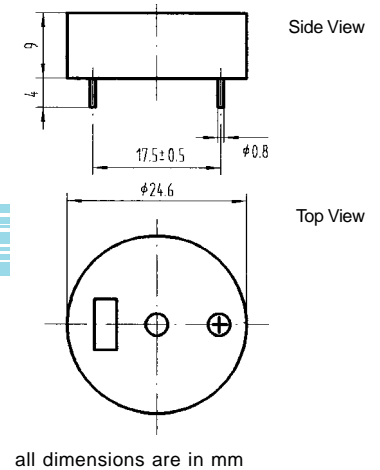
KPI-2510 series Piezo Buzzer



Model No	KPI-2510
Rated Voltage	12VDC
Operating Voltage	3~15VDC
Max. Rated Current	12mA at 12VDC
Min. Sound Pressure Level	75dB at 12VDC / 30cm
Resonant Frequency	3.5±0.5 KHz
Tone Nature	Continuous
Operating Temperature	-20~+80jæ
Weight	6g

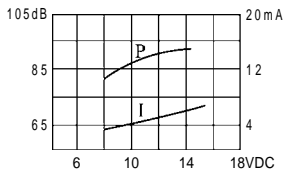


DIMENSIONS



* Value applying at rated voltage

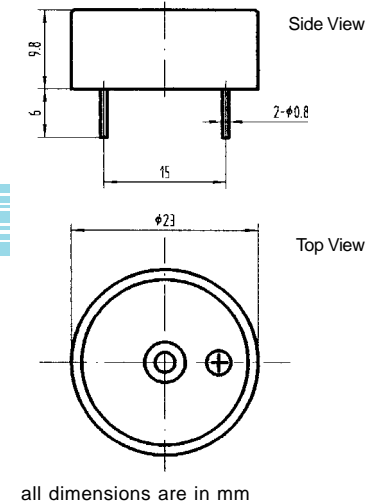
KPI-2610 series Piezo Buzzer



Model No	KPI-2610
Rated Voltage	12VDC
Operating Voltage	3~24VDC
Max. Rated Current	10mA at 12VDC
Min. Sound Pressure Level	85dB at 12VDC/30cm
Resonant Frequency	3.5±0.5KHz
Tone Nature	Continuous
Operating Temperature	-20~+80jæ
Weight	4g



DIMENSIONS

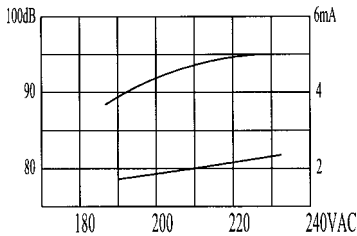


* Value applying at rated voltage

The information contained herein is believed to be correct, but no guarantee for accuracy, completeness KEPRO Electronics Ltd. reserves the right to make changes without notification.

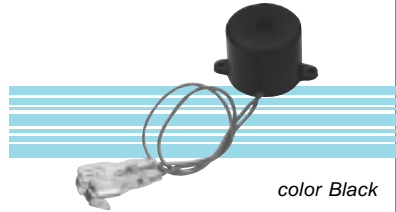
Piezo Audio Indicator

KPI-2375 series Piezo Buzzer



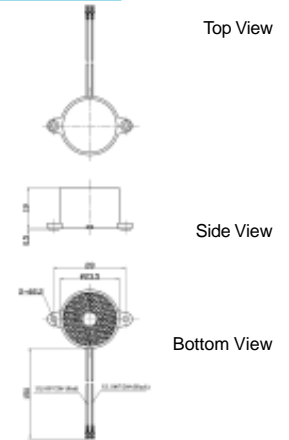
Model No	KPI-2375
Rated Voltage	220VAC
Operating Voltage	180 _i ~240VAC
Max. Rated Current	4mA at 220VAC
Min. Sound Pressure Level	75dB at 220VAC/30cm
Tone Nature	Continuous
Housing Material / Color	PC/Black
Operating Temperature	-20 _i ~+60 _o
Store Temperature	-30 _i ~+70 _o
Weight	4g

* Value applying at rated voltage



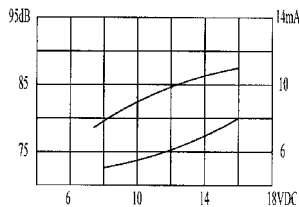
color Black
PC Housing Material
Lead Terminal

DIMENSIONS



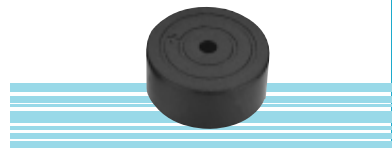
all dimensions are in mm

KPI-2412 series Piezo Buzzer



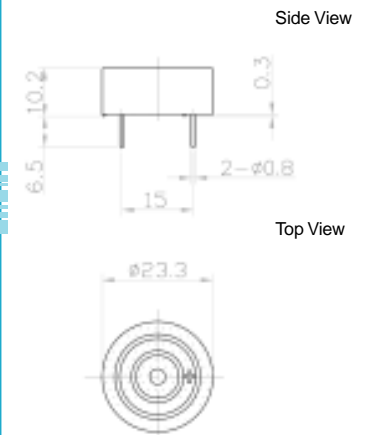
Model No	KPI-2412
Rated Voltage	12VDC
Operating Voltage	3 _i ~20VDC
Max. Rated Current	13mA at 12VDC
Min. Sound Pressure Level	75dB at 12VDC/30cm
Resonant Frequency	3.2 _i ~0.5KHz
Tone Nature	Continuous
Housing Material / Color	ABS/Black
Operating Temperature	-30 _i ~+85 _o
Store Temperature	-40 _i ~+95 _o
Weight	5g

* Value applying at rated voltage



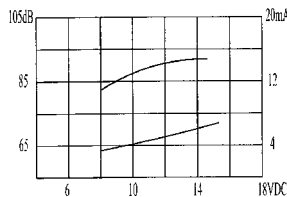
color Black
ABS Housing Material
Pin Terminal

DIMENSIONS



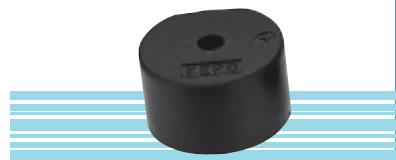
all dimensions are in mm

KPI-2415 series Piezo Buzzer



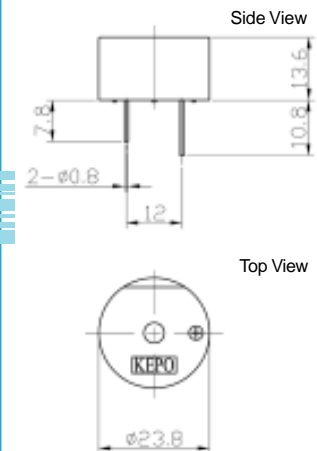
Model No	KPI-2415
Rated Voltage	12VDC
Operating Voltage	1.5 _i ~18VDC
Max. Rated Current	12mA at 12VDC
Min. Sound Pressure Level	85dB at 12VDC/30cm
Resonant Frequency	3.5 _i ~0.5KHz
Tone Nature	Continuous
Housing Material/Color	PBT/Black
Store Temperature	-30 _i ~+100 _o
Weight	3g

* Value applying at rated voltage



color White
PBT Housing Material
Pin Terminal

DIMENSIONS

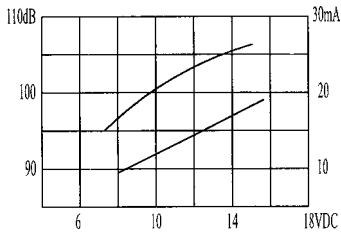


all dimensions are in mm

The information contained herein is believed to be correct, but no guarantee for accuracy, completeness KEPO Electronics Ltd. reserves the right to make changes without notification.

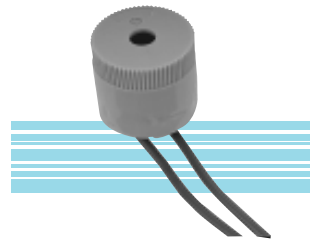
Piezo Audio Indicator

KPI-2622Lseries Piezo Buzzer



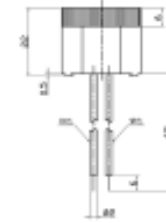
Model No	KPI-2622L
Rated Voltage	12VDC
Operating Voltage	6j*18VDC
Max. Rated Current	25mA at 12VDC
Min. Sound Pressure Level	92dB at 12VDC/30cm
Rated Frequency	2.9j±0.5KHz
Tone Nature	Continuous
Housing Material/Color	ABS/Grey
Operating Temperature	-20j*+60C
Store Temperature	-30j*+80C
Weight	13g

* Value applying at rated voltage



color Grey
ABS Housing Material
Lead Terminal

DIMENSIONS



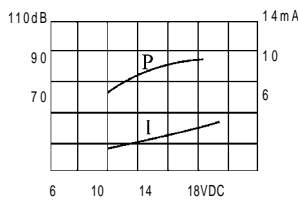
Side View



Top View

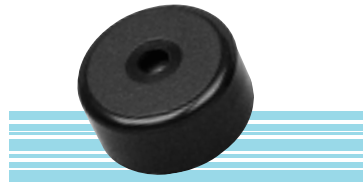
all dimensions are in mm

KPI-3020 series Piezo Buzzer



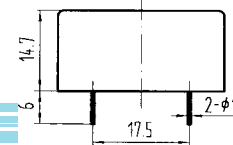
Model No	KPI-3020
Rated Voltage	12VDC
Operating Voltage	3~20VDC
Max. Rated Current	10mA at 12VDC
Min. Sound Pressure Level	90dB at 12VDC/30cm
Resonant Frequency	2.9j±0.5KHz
Tone Nature	Continuous
Operating Temperature	-20~+70jæ
Weight	7g

* Value applying at rated voltage

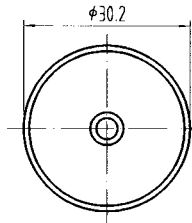


color Black
ABS Housing Material
Pin Terminal

DIMENSIONS



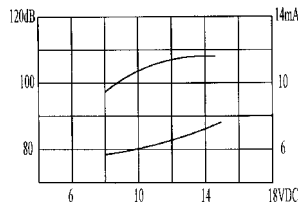
Side View



Top View

all dimensions are in mm

KPI-3029 series Piezo Buzzer



Model No	KPI-3029
Rated Voltage	12VDC
Operating Voltage	3j*20VDC
Max. Rated Current	10mA/12VDC
Resonant Frequency	2.9j±0.5KHz
Sound Pressure Level	98j±3dB/12VDC/30cm
Tone Nature	Continuous
Housing Material/Color	PC/Black
Operating Temperature	-20j*+70jæC
Store Temperature	-30j*+85jæC
Weight	9g

* Value applying at rated voltage



color Black
ABS Housing Material
Pin Terminal

DIMENSIONS



Side View



Top View

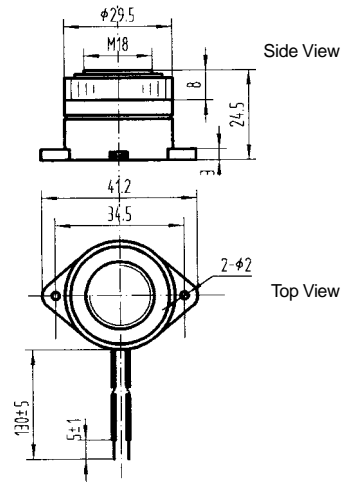
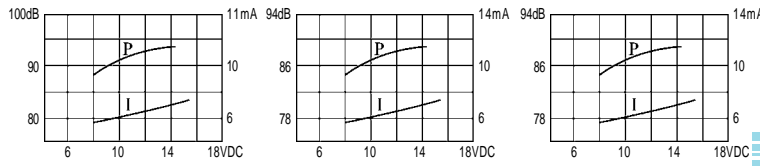
all dimensions are in mm

The information contained herein is believed to be correct, but no guarantee for accuracy, completeness KEPO Electronics Ltd. reserves the right to make changes without notification.

Piezo Audio Indicator

KPI-2910L series Piezo Buzzer

DIMENSIONS



Model No	KPI-2910L	KPI-2911L	KPI-2912L
Rated Voltage	12VDC	12VDC	12VDC
Operating Voltage	3~24VDC	3~24VDC	3~24VDC
Max. Rated Current	15mA at 12VDC	15mA at 12VDC	15mA at 12VDC
Min. Sound Pressure Level	90dB at 12VDC/30cm	85dB at 12VDC/30cm	85dB at 12VDC/30cm
Resonant Frequency	3.7±0.5KHz	3.7±0.5KHz	3.7±0.5KHz
Tone Nature	Continuous	Fast Pulse	Slow Pulse
Operating Temperature	-20~+60℃	-20~+60℃	-20~+60℃
Weight	15g	15g	15g

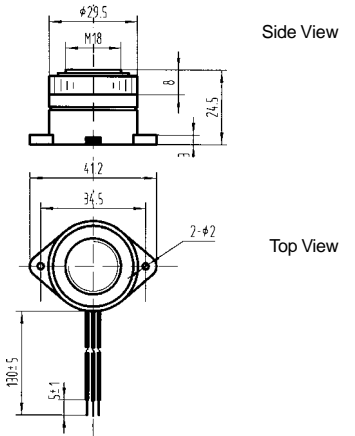
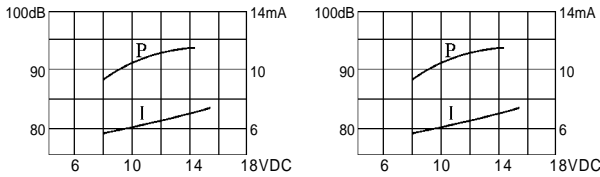
color Black
ABS Housing Material
Lead Terminal

all dimensions are in mm

* Value applying at rated voltage

KPI-2910L series Piezo Buzzer

DIMENSIONS



Model No	KPI-2913L	KPI-2914L
Rated Voltage	12VDC	12VDC
Operating Voltage	3~24VDC	3~24VDC
Max. Rated Current	15mA at 12VDC	15mA at 12VDC
Min. Sound Pressure Level	90(85)dB at 12VDC / 30cm	90(85)dB at 12VDC / 30cm
Resonant Frequency	3.7±0.5 KHz	3.7±0.5 KHz
Tone Nature	Continuous + Slow Pulse	Continuous + Fast Pulse
Operating Temperature	-20~+60℃	-20~+60℃
Weight	17g	17g

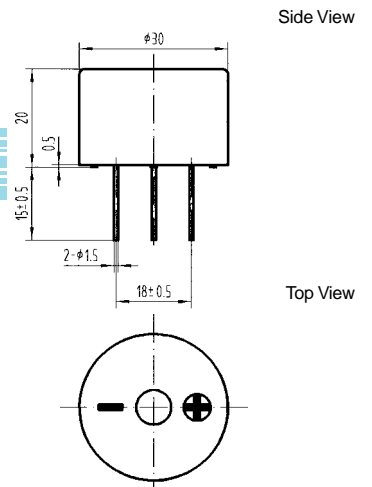
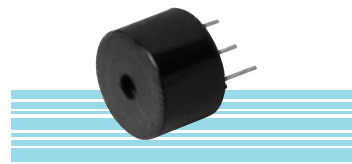
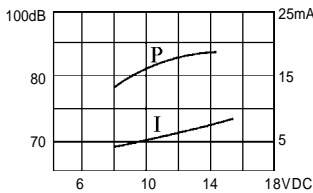
color Black
ABS Housing Material
Lead Terminal

all dimensions are in mm

* Value applying at rated voltage

KPI-3011 series Piezo Buzzer

DIMENSIONS



Model No	KPI-3011
Rated Voltage	12VDC
Operating Voltage	3-16VDC
Max. Rated Current	15mA at 12VDC
Resonant Frequency	3.5±0.5KHz
Min. Sound Pressure Level	80dB at 12VDC/30cm
Tone Nature	Continuous+Pulse
Housing Material/Color	PC/Black
Operating Temperature	-20~+80℃
Store Temperature	-40~+100℃
Weight	6g
Remark	P: Pulse C: Continuous + Positive

color Black
PC Housing Material
Pin Terminal

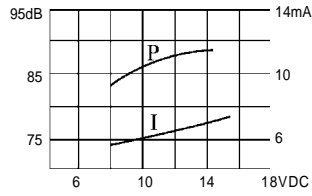
all dimensions are in mm

* Value applying at rated voltage

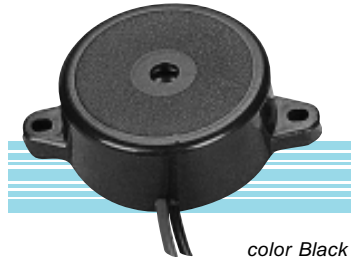
The information contained herein is believed to be correct, but no guarantee for accuracy, completeness KEPE Electronics Ltd. reserves the right to make changes without notification.

Piezo Audio Indicator

KPI-2330L series Piezo Buzzer

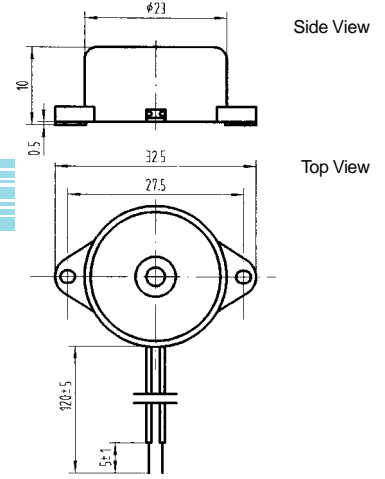


Model No	KPI-2330L
Rated Voltage	12VDC
Operating Voltage	3-24VDC
Max. Rated Current	15mA at 12VDC
Min. Sound Pressure Level	85dB at 12VDC/30cm
Resonant Frequency	3.5j±0.5KHz
Tone Nature	Continuous
Operating Temperature	-20~+60jæ
Weight	3.5g



color Black
ABS Housing Material
Lead Terminal

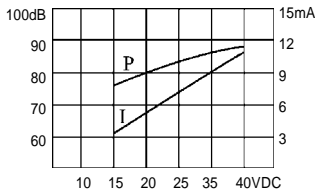
DIMENSIONS



all dimensions are in mm

* Value applying at rated voltage

KPI-3017 series Piezo Buzzer

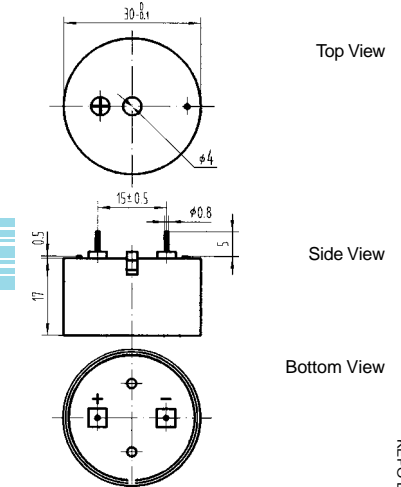


Model No	KPI-3017
Rated Voltage	12VDC
Operating Voltage	3-24VDC
Max. Rated Current	30mA at 12VDC
Min. Sound Pressure Level	90dB at 12VDC/30cm
Resonant Frequency	2j±0.5KHz
Tone Nature	Continuous
Operating Temperature	-20~+70jæ
Weight	6g



color Black
PC Housing Material
Pin Terminal

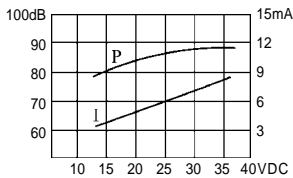
DIMENSIONS



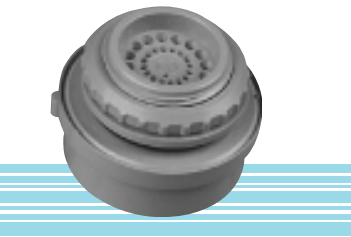
all dimensions are in mm

* Value applying at rated voltage

KPI-4028 series Piezo Buzzer

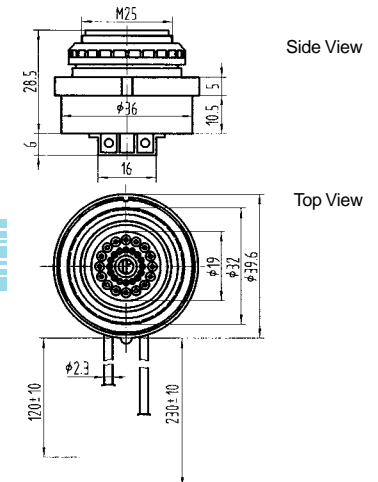


Model No	KPI-4028
Rated Voltage	24VDC
Operating Voltage	15-48VDC
Max. Rated Current	11mA at 24VDC
Min. Sound Pressure Level	76dB at 24VDC/100cm
Resonant Frequency	2.75j±0.5KHz
Tone Nature	Pulse
Operating Temperature	-20~+70jæ
Weight	25g



color Black
PC Housing Material
Lead Terminal

DIMENSIONS



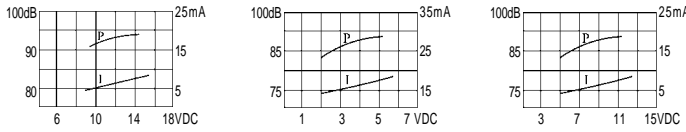
all dimensions are in mm

* Value applying at rated voltage

The information contained herein is believed to be correct, but no guarantee for accuracy, completeness KEPE Electronics Ltd. reserves the right to make changes without notification.

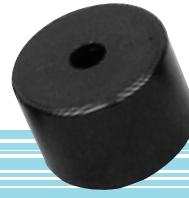
Piezo Audio Indicator

KPI-3010series Piezo Buzzer



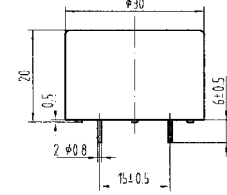
Model No	KPI-3010	KPI-3010-03	KPI-3010-09
Rated Voltage	12VDC	3VDC	9VDC
Operating Voltage	3-24VDC	1.5-5VDC	6-15VDC
Max. Rated Current	15mA at 12VDC	25mA at 3VDC	25mA at 9VDC
Min. Sound Pressure Level	90dB at 12VDC/30cm	85dB at 3VDC/30cm	88dB at 9VDC/30cm
Resonant Frequency	3.9j±0.5KHz	3.7j±0.5KHz	3.9j±0.5KHz
Tone Nature	Continuous	Continuous	Continuous
Operating Temperature	-20~+80jæ	-20~+80jæ	-20~+80jæ
Weight	8g	8g	8g

* Value applying at rated voltage

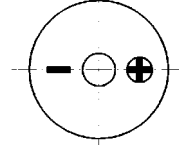


color Black
PC Housing Material
Pin Terminal

DIMENSIONS



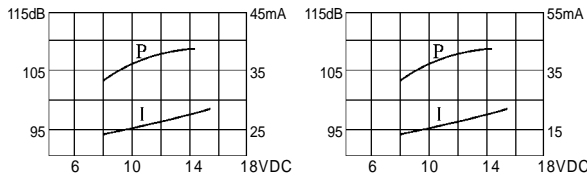
Side View



Top View

all dimensions are in mm

KPI-4320 series Piezo Buzzer



Model No	KPI-4323	KPI-4324
Rated Voltage	12VDC	12VDC
Operating Voltage	6-28VDC	6-28VDC
Max. Rated Current	20mA at 12VDC	20mA at 12VDC
Min. Sound Pressure Level	80dB at 12VDC/60cm	80dB at 12VDC/60cm
Resonant Frequency	2.9j±0.5 KHz	2.9j±0.5 KHz
Tone Nature	Continuous + Slow Pulse	Continuous + Fast Pulse
Operating Temperature	-20~+80jæ	-20~+80jæ
Weight	40g	40g

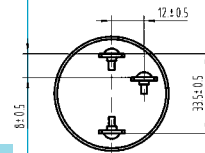
* Value applying at rated voltage



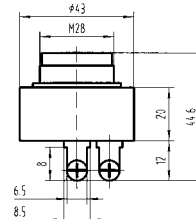
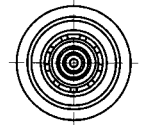
color Black
PBT Housing Material
Screw Terminal

DIMENSIONS

Bottom View



Top View

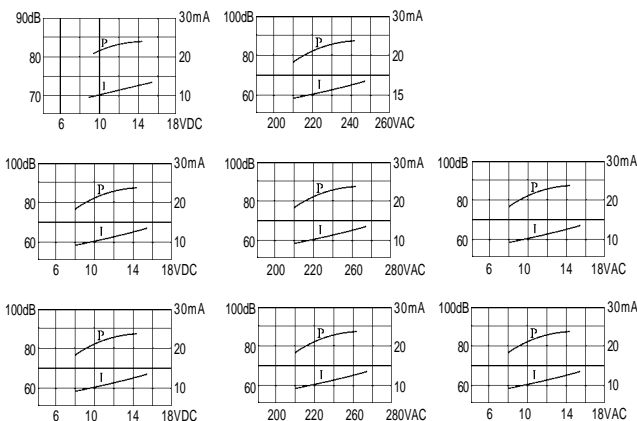


Side View

Back View

all dimensions are in mm

KPI-4320 series Piezo Buzzer



Model No	KPI-4320	KPI-4320-230	KPI-4321	KPI-4321-230	KPI-4321-12	KPI-4322	KPI-4322-230	KPI-4322-12
Rated Voltage	12VDC	230VAC	12VDC	230VAC	12VAC	12VDC	230VAC	12VAC
Operating Voltage	6-28VDC	200-240VAC	6-28VDC	200-240VAC	8-15VAC	6-28VDC	200-240VAC	8-15VAC
Max. Rated Current	20mA at 12VDC	20mA at 230VAC/DC	20mA at 12VDC	20mA at 230VAC	20mA at 12VAC	20mA at 12VDC	20mA at 230VAC	20mA at 12VAC
Min. Sound Pressure Level	80dB at 12VDC/60cm	80dB at 230VAC/60cm	80dB at 12VDC/60cm	80dB at 230VAC/60cm	80dB at 12VAC/60cm	80dB at 12VDC/60cm	80dB at 230VAC/60cm	80dB at 12VAC/60cm
Resonant Frequency	2.9j±0.5KHz	2.9j±0.5KHz	2.9j±0.5KHz	2.9j±0.5KHz	2.9j±0.5KHz	2.9j±0.5KHz	2.9j±0.5KHz	2.9j±0.5KHz
Tone Nature	Continuous	Continuous	Slow Pulse	Slow Pulse	Slow Pulse	Fast Pulse	Fast Pulse	Fast Pulse
Operating Temperature	-20~+80jæ	-20~+80jæ	-20~+80jæ	-20~+80jæ	-20~+80jæ	-20~+80jæ	-20~+80jæ	-20~+80jæ
Weight	40g	40g	40g	40g	40g	40g	40g	40g

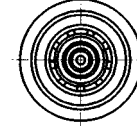
* Value applying at rated voltage



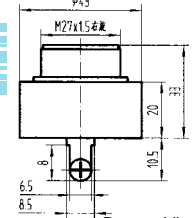
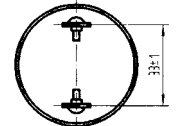
color Black
PC Housing Material
Screw Terminal

DIMENSIONS

Top View



Side View



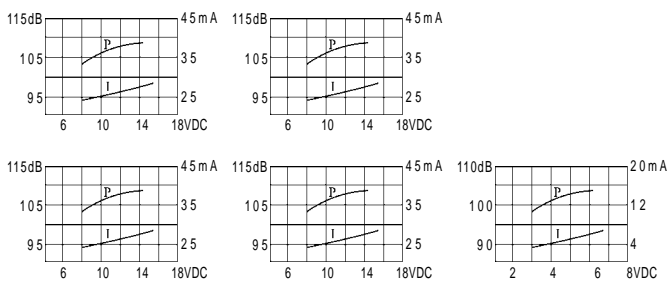
Bottom View

Back View

all dimensions are in mm

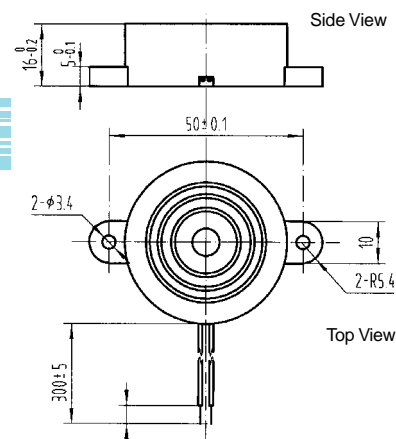
The information contained herein is believed to be correct, but no guarantee for accuracy, completeness KEPO Electronics Ltd. reserves the right to make changes without notification.

KPI-4210 series Piezo Buzzer



color Black
ABS Housing Material
Lead Terminal

DIMENSIONS

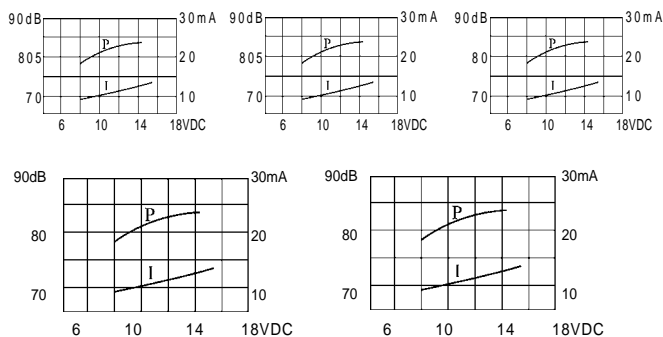


all dimensions are in mm

Model No	KPI-4210	KPI-4211	KPI-4212	KPI-4213	KPI-4214
Rated Voltage	12VDC	12VDC	12VDC	12VDC	5VDC
Operating Voltage	3-20VDC	3-20VDC	3-20VDC	3-20VDC	2-8VDC
Max. Rated Current	12mA at 12VDC	12mA at 12VDC	20mA at 12VDC	20mA at 12VDC	20mA at 5VDC
Min. Sound Pressure Level	90dB at 12VDC/30cm	98dB at 12VDC/30cm	90dB at 12VDC/30cm	90dB at 12VDC/30cm	100dB at 5VDC/30cm
Resonant Frequency	2.8j±0.5KHz	2.8j±0.5KHz	2.8j±0.5KHz	2.8j±0.5KHz	2.8j±0.5KHz
Tone Nature	Continuous	Continuous	Fast Pulse	Slow Pulse	Continuous
Operating Temperature	-20~+60jæ	-20~+60jæ	-20~+60jæ	-20~+60jæ	-20~+60jæ
Weight	13g	13g	13g	13g	13g

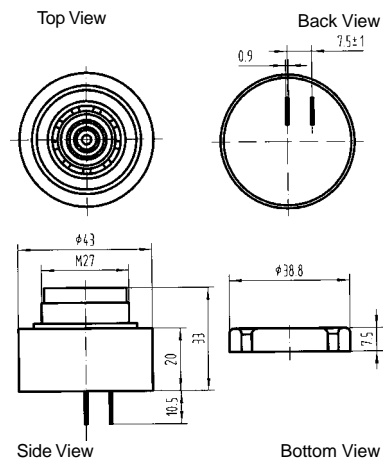
* Value applying at rated voltage

KPI-4310series Piezo Buzzer



color Black
PC Housing Material
Pin Terminal

DIMENSIONS

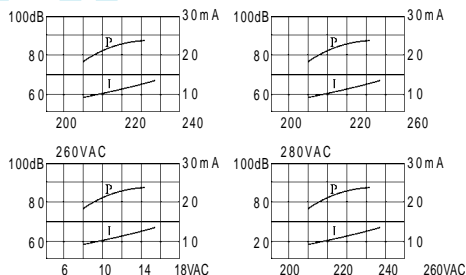


all dimensions are in mm

Model No	KPI-4310	KPI-4311	KPI-4312	KPI-4313	KPI-4314
Rated Voltage	12VDC	12VDC	12VDC	12VDC	12VDC
Operating Voltage	6-28VDC	6-28VDC	6-28VDC	6-28VDC	6-28VDC
Max. Rated Current	20mA at 12VDC	20mA at 12VDC	20mA at 12VDC	20mA at 12VDC	20mA at 12VDC
Min. Sound Pressure Level	80dB at 12VDC/60cm	80dB at 12VDC/60cm	80dB at 12VDC/60cm	80dB at 12VDC/60cm	80dB at 12VDC/60cm
Resonant Frequency	2.9j±0.5KHz	2.9j±0.5KHz	2.9j±0.5KHz	2.9j±0.5KHz	2.9j±0.5KHz
Tone Nature	Continuous	Slow Pulse	Fast Pulse	Continuous + Slow Pulse	Continuous + Fast Pulse
Operating Temperature	-20~+60jæ	-20~+60jæ	-20~+60jæ	-20~+80jæ	-20~+80jæ
Weight	36g	36g	36g	36g	36g

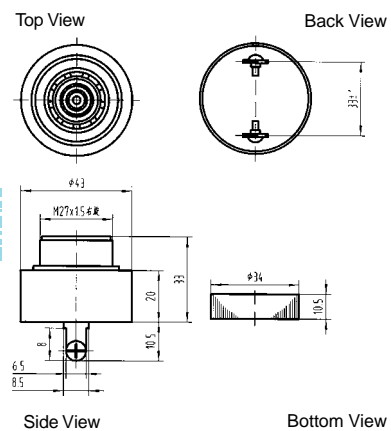
* Value applying at rated voltage

KPI-4310-VAC series Piezo Buzzer



color Black
PC Housing Material
Screw Terminal

DIMENSIONS



all dimensions are in mm

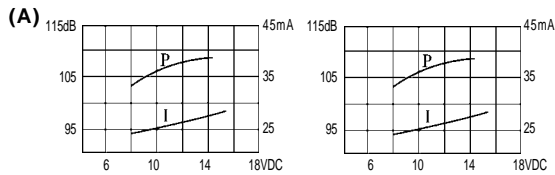
Model No	KPI-4310-230	KPI-4311-230	KPI-4311-12	KPI-4312-230
Rated Voltage	230VAC	230VAC	12VAC	230VAC
Operating Voltage	200-240VAC	200-240VAC	8-15VAC	200-240VAC
Max. Rated Current	20mA at 230VAC	20mA at 230VAC	20mA at 12VAC	20mA at 230VAC
Min. Sound Pressure Level	80dB at 230VAC/60cm	80dB at 230VAC/60cm	80dB at 12VAC/60cm	80dB at 230VAC/60cm
Resonant Frequency	2.9j±0.5KHz	2.9j±0.5KHz	2.9j±0.5KHz	2.9j±0.5KHz
Tone Nature	Continuous	Slow Pulse	Slow Pulse	Fast Pulse
Operating Temperature	-20~+60jæ	-20~+60jæ	-20~+60jæ	-20~+60jæ
Weight	40g	40g	40g	40g

* Value applying at rated voltage

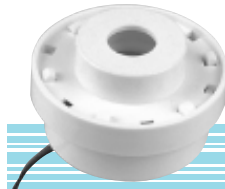
The information contained herein is believed to be correct, but no guarantee for accuracy, completeness KEPO Electronics Ltd. reserves the right to make changes without notification.

KPI-4510L series Piezo Buzzer

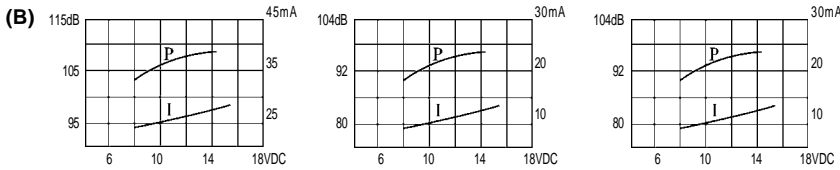
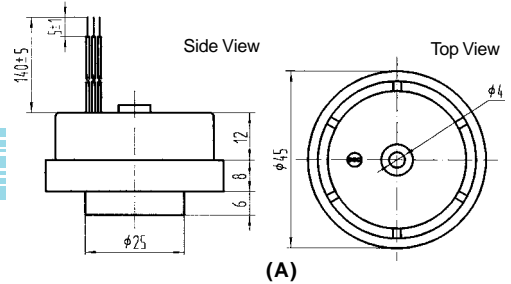
DIMENSIONS



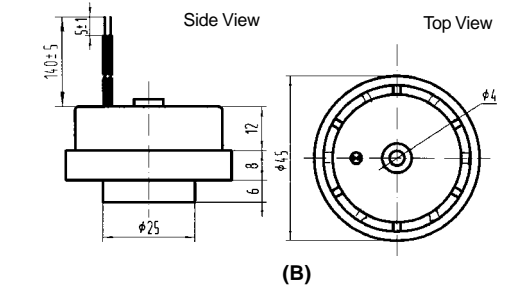
Model No	KPI-4513L	KPI-4514L
Rated Voltage	12VDC	12VDC
Operating Voltage	3~16VDC	3~16VDC
Max. Rated Current	35(20)mA at 12VDC	35(20)mA at 12VDC
Min. Sound Pressure Level	100(92)dB at 12VDC/30cm	105(92)dB at 12VDC/30cm
Resonant Frequency	3.2±0.5KHz	3.2±0.5KHz
Tone Nature	Continuous+Slow Pulse	Continuous+Fast Pulse
Operating Temperature	-20~+60jæ	-20~+60jæ
Weight	21g	21g



color White
ABS Housing Material
Lead Terminal



Model No	KPI-4510L	KPI-4511L	KPI-4512L
Rated Voltage	12VDC	12VDC	12VDC
Operating Voltage	3~16VDC	3~16VDC	3~16VDC
Max. Rated Current	35mA at 12VDC	20mA at 12VDC	20mA at 12VDC
Min. Sound Pressure Level	100dB at 12VDC/30cm	92dB at 12VDC/30cm	92dB at 12VDC/30cm
Resonant Frequency	3.2±0.5KHz	3.2±0.5KHz	3.2±0.5KHz
Tone Nature	Continuous	Slow Pulse	Fast Pulse
Operating Temperature	-20~+60jæ	-20~+60jæ	-20~+60jæ
Weight	21g	21g	21g



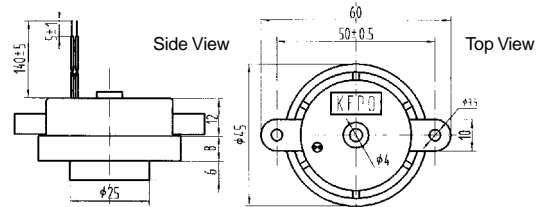
all dimensions are in mm

* Value applying at rated voltage

KPI-4520L series Piezo Buzzer

DIMENSIONS

color White
ABS Housing Material
Lead Terminal

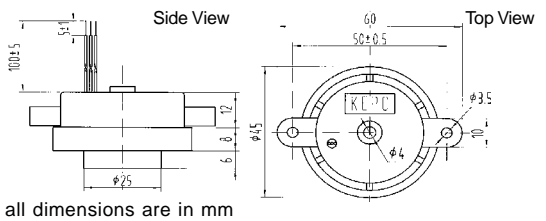
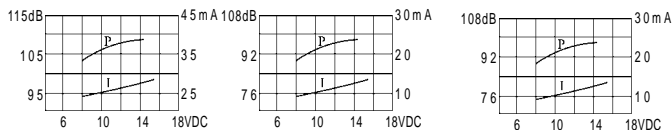


KPI-4520L series Piezo Buzzer

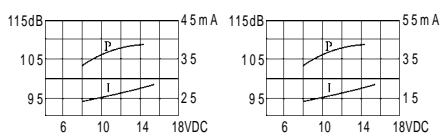
color White
ABS Housing Material
Lead Terminal



DIMENSIONS



all dimensions are in mm



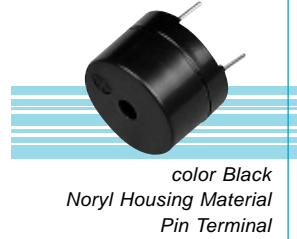
Model No	KPI-4520L	KPI-4521L	KPI-4522L	KPI-4523L	KPI-4524L
Rated Voltage	12VDC	12VDC	12VDC	12VDC	12VDC
Operating Voltage	3~16VDC	3~16VDC	3~16VDC	3~16VDC	3~16VDC
Max. Rated Current	35mA at 12VDC	35mA at 12VDC	35mA at 12VDC	35 (20)mA at 12VDC	35 (20)mA at 12VDC
Min. Sound Pressure Level	100dB at 12VDC/30cm	90dB at 12VDC/30cm	90dB at 12VDC/30cm	105 (92) dB at 12VDC/30cm	105 (92)dB at 12VDC/30cm
Resonant Frequency	3.2±0.5KHz	3.2±0.5KHz	3.2±0.5KHz	3.2±0.5KHz	3.2±0.5KHz
Tone Nature	Continuous	Slow Pulse	Fast Pulse	Continuous+Fast Pulse	Continuous+Slow Pulse
Operating Temperature	-20~+60jæ	-20~+60jæ	-20~+60jæ	-20~+60jæ	-20~+60jæ
Weight	21g	21g	21g	21g	21g

* Value applying at rated voltage

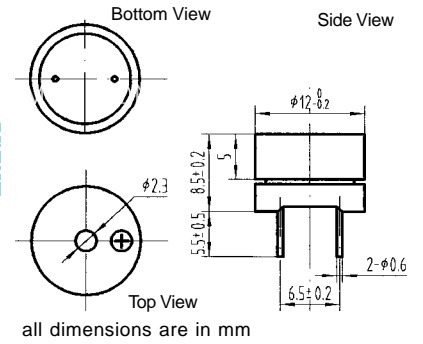
The information contained herein is believed to be correct, but no guarantee for accuracy, completeness KEPO Electronics Ltd. reserves the right to make changes without notification.

■ ■ ■ KP12-185A/B/C series Magnetic Buzzer

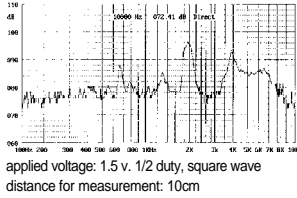
Model No	KP12-185A	KP12-185B	KP12-185C
Rated Voltage	1.5V	1.5V	1.5V
Operating Voltage	1-2V	1-2V	1-2V
Max. Rated Current	30mA	10mA	10mA
Coil Resistance (DC)	16 Ω ± 4%	42 Ω ± 6%	50 Ω ± 7.5%
Coil Impedance (AC)	40 Ω ± 1%	120 Ω ± 1%	140 Ω ± 1%
Min. Sound Pressure Level	-20 ~ +70 dB	-20 ~ +70 dB	-20 ~ +70 dB
Weight	2g	2g	2g



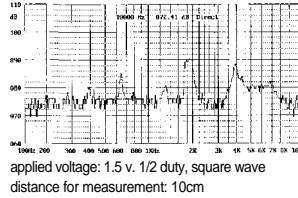
DIMENSIONS



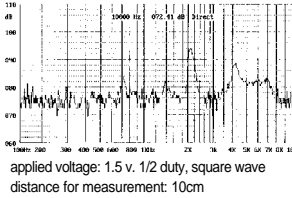
FREQUENCY RESPONSE
[actual curve of type]



FREQUENCY RESPONSE
[actual curve of type]



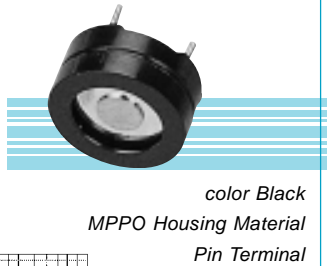
FREQUENCY RESPONSE
[actual curve of type]



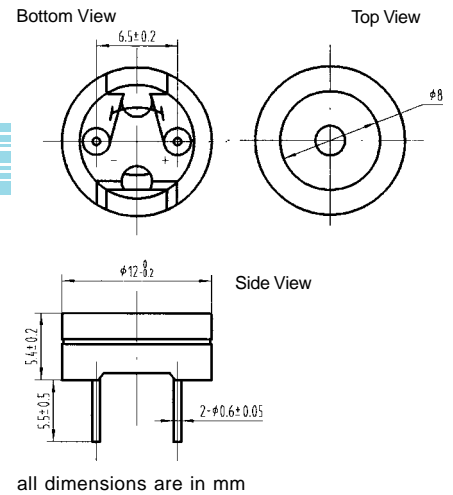
* Value applying at rated voltage

■ ■ ■ KP12-105 series Magnetic Buzzer

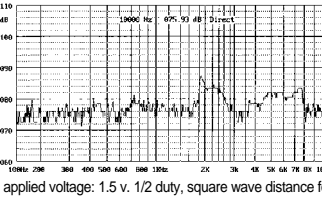
Model No	KP12-105A	KP12-105B
Rated Voltage	1.5V	1.5V
Operating Voltage	1-2V	1-2V
Max. Rated Current	30mA	10mA
Coil Resistance (DC)	16 Ω ± 4%	42 Ω ± 6%
Coil Impedance (AC)	40 Ω ± 1%	120 Ω ± 1%
Min. Sound Pressure Level	75dB/10cm	70dB/10cm
Resonant Frequency	2048Hz	2048Hz
Operating Temperature	-20 ~ +70 °C	-20 ~ +70 °C
Weight	2g	2g



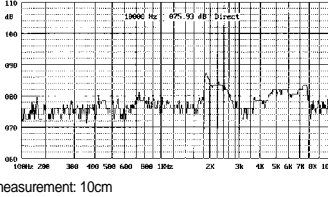
DIMENSIONS



FREQUENCY RESPONSE
[actual curve of type]

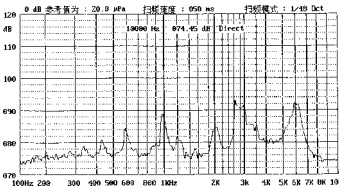


FREQUENCY RESPONSE
[actual curve of type]

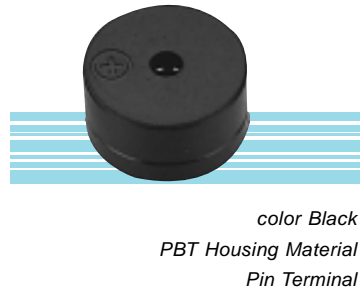


* Value applying at rated voltage

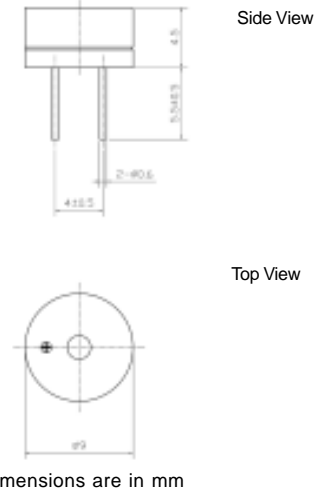
■ ■ ■ KPM09F series Piezo Transducer



Model No	KPM09F
Rated Voltage	1.5V
Operating Voltage	1 ~ 2V
Max. Rated Current	80mA
Min. Sound Pressure Level	85dB/10cm
Coil Resistance	5.5 Ω ± 1%
Coil Impedance	9.0 Ω ± 1%
Min. Sound Pressure Level	80dB/10cm
Rated Frequency	2731Hz
Housing Material/Color	PBT/Black
Operating Temperature	-20 ~ +70 °C
Store Temperature	-30 ~ +80 °C
Weight	2g



DIMENSIONS



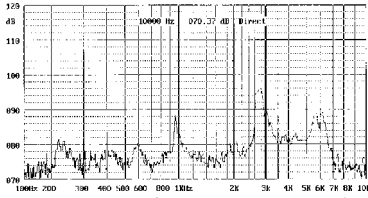
* Value applying at rated voltage

The information contained herein is believed to be correct, but no guarantee for accuracy, completeness KEPO Electronics Ltd. reserves the right to make changes without notification.

KPM09-04B8 series Magnetic Buzzer

FREQUENCY RESPONSE

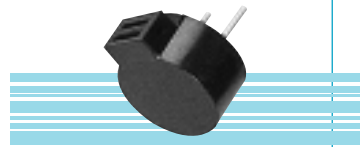
[actual curve of type]



applied voltage: 1.5v, 1/2 duty, square wave distance for measurement: 10cm

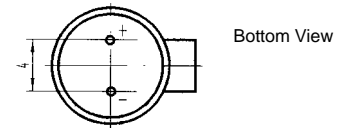
Model No	KPM09-04B8
Rated Voltage	1.5
Operating Voltage	1~2V
Max. Rated Current	80mA
Coil Resistance (DC)	5.5 Ω A11,
Coil Impedance (AC)	9.5 Ω A31,
Min. Sound Pressure Level	80dB/10cm
Resonant Frequency	2731Hz
Operating Temperature	-20~+70 ^\circ C
Weight	2g

* Value applying at rated voltage

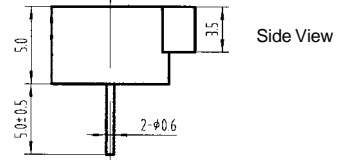


color Black
PBT Housing Material
Pin Terminal

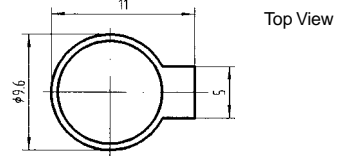
DIMENSIONS



Bottom View



Side View



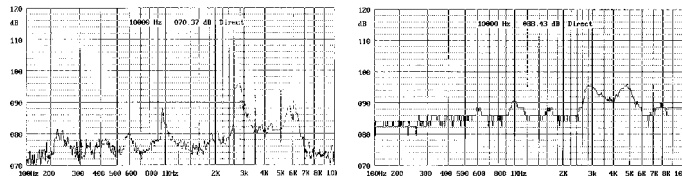
Top View

all dimensions are in mm

KPM09-04B series Magnetic Buzzer

FREQUENCY RESPONSE

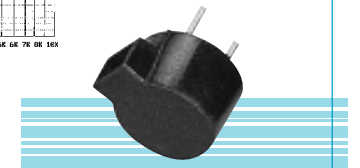
[actual curve of type]



applied voltage: 1.5v, 1/2 duty, square wave distance for measurement: 10cm

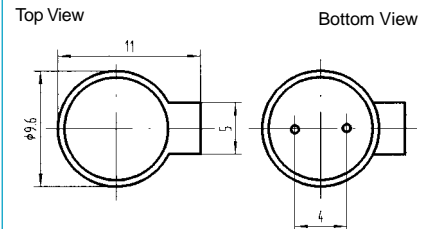
Model No	KPM09-04B3	KPM09-04B4
Rated Voltage	1.5V	1.5V
Operating Voltage	1~2V	1~2V
Max. Rated Current	80mA	80mA
Coil Resistance (DC)	5.5 Ω A11,	5.5 Ω A11,
Coil Impedance (AC)	9.5 Ω A31,	9.5 Ω A31,
Min. Sound Pressure Level	85dB/10cm	85dB/10cm
Resonant Frequency	2731Hz	3050Hz
Operating Temperature	-20~+70 ^\circ C	-20~+70 ^\circ C
Weight	1g	1g

* Value applying at rated voltage



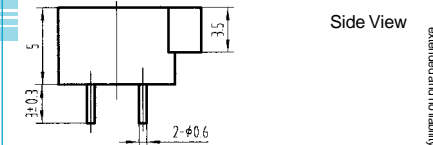
color Black
PBT Housing Material
Pin Terminal

DIMENSIONS



Top View

Bottom View



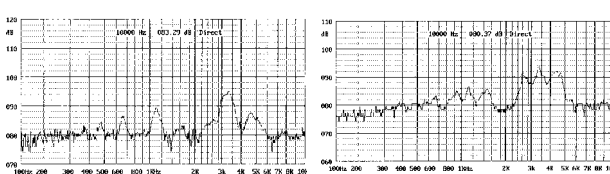
Side View

all dimensions are in mm

KPM09A series Magnetic Buzzer

FREQUENCY RESPONSE

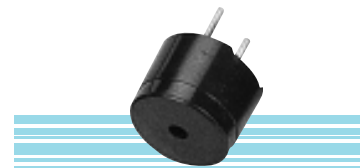
[actual curve of type]



applied voltage: 1.5v, 1/2 duty, square wave distance for measurement: 10cm

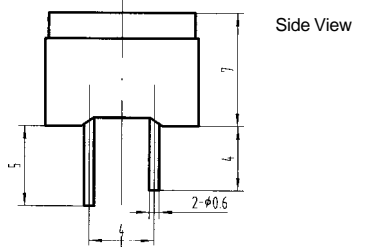
Model No	KPM09A	KPM09A1
Rated Voltage	1.5V	1.5V
Operating Voltage	1~2V	1~2V
Max. Rated Current	80mA	80mA
Coil Resistance (DC)	5.5 Ω A11,	5.5 Ω A11,
Coil Impedance (AC)	9.5 Ω A31,	9.5 Ω A31,
Min. Sound Pressure Level	80dB/10cm	80dB/10cm
Resonant Frequency	3100Hz	2731Hz
Operating Temperature	-20~+70 ^\circ C	-20~+70 ^\circ C
Weight	1g	1g

* Value applying at rated voltage

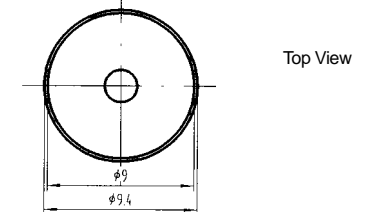


color Black
PBT Housing Material
Pin Terminal

DIMENSIONS



Side View



Top View

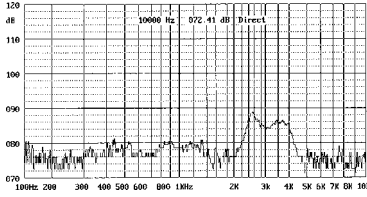
all dimensions are in mm

The information contained herein is believed to be correct, but no guarantee or warranty, express or implied, with respect to accuracy, completeness or results is extended and no liability is assumed. DB Products Ltd. reserves the right to make changes in any specification, data or material contained herein.

KPM09C series Magnetic Buzzer

FREQUENCY RESPONSE

[actual curve of type]



applied voltage: 1.5 v. 1/2 duty, square wave distance for measurement: 10cm

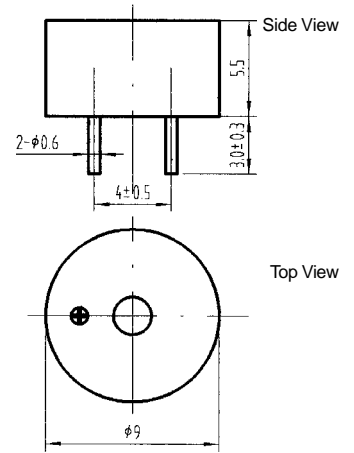
Model No	KPM09C
Rated Voltage	1.5V
Operating Voltage	1~2V
Max. Rated Current	80mA
Coil Resistance (DC)	5.5 \pm 1.1 Ω
Coil Impedance (AC)	9.5 \pm 1.3 Ω
Min. Sound Pressure Level	80dB/10cm
Resonant Frequency	3100Hz
Operating Temperature	-20~+70 ^\circ C
Weight	1g

* Value applying at rated voltage



color Black
PBT Housing Material
Pin Terminal

DIMENSIONS

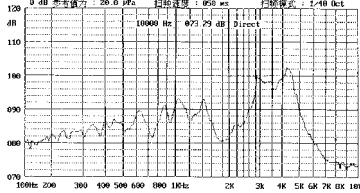


all dimensions are in mm

KPM-1240A series Magnetic Buzzer

FREQUENCY RESPONSE

[actual curve of type]



applied voltage: 1.5 v. 1/2 duty, square wave distance for measurement: 10cm

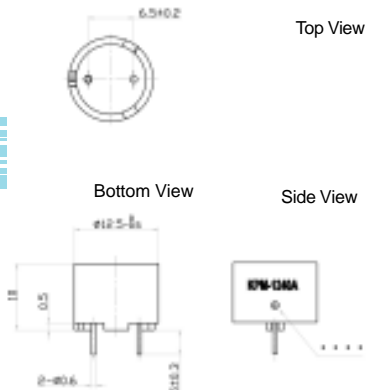
Model No	KPM-1240A
Rated Voltage	3V
Operating Voltage	2 \leq 15V
Coil Rated Current	16 \pm 4A
Coil Impedance	40 Ω
Min. Sound Pressure Level	95dB/10cm
Rated Frequency	4000Hz
Housing Material/Color	PBT/Black
Operating Temperature	-20 \leq +70 ^\circ C
Store Temperature	-30 \leq +80 ^\circ C
Weight	2g

* Value applying at rated voltage



color Black
PBT Housing Material
Pin Terminal

DIMENSIONS

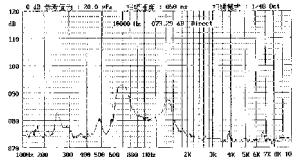


all dimensions are in mm

KPM-2505A series Magnetic Buzzer

FREQUENCY RESPONSE

[actual curve of type]



applied voltage: 1.5 v. 1/2 duty, square wave distance for measurement: 10cm

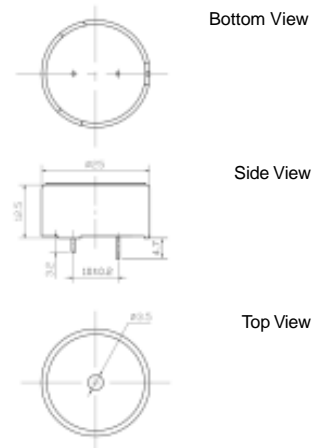
Model No	KPM-2505A
Rated Voltage	5V
Operating Voltage	4 \leq 8V
Max. Rated Current	80mA
Coil Rated Current	30 \pm 3A
Coil Impedance	60 \pm 6 Ω
Min. Sound Pressure Level	85dB/10cm
Rated Frequency	730Hz
Housing Material/Color	PPO/Black
Operating Temperature	-20 \leq +70 ^\circ C
Store Temperature	-30 \leq +80 ^\circ C
Weight	8g

* Value applying at rated voltage



color Black
PPO Housing Material
Pin Terminal

DIMENSIONS

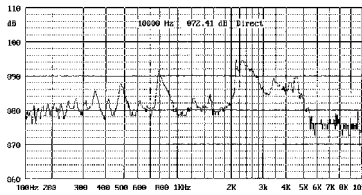


all dimensions are in mm

The information contained herein is believed to be correct, but no guarantee or warranty, express or implied, with respect to accuracy, completeness or results is extended and no liability is assumed. DB Products Ltd. reserves the right to make changes in any specification, data or material contained herein.

KPM-1205A series Magnetic Buzzer

FREQUENCY RESPONSE
[actual curve of type]



applied voltage: 5V, 1/2 duty, square wave distance for measurement: 10cm

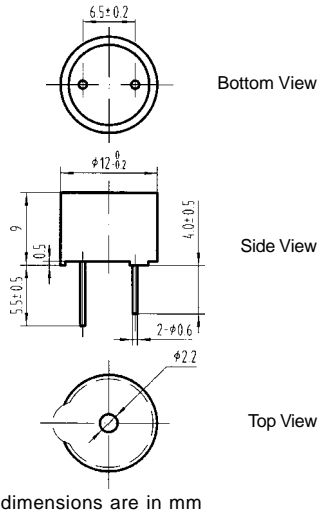
Model No	KPM1205A
Rated Voltage	5V
Operating Voltage	4-8V
Max. Rated Current	40mA
Coil Resistance (DC)	45Ω ± 5%
Coil Impedance (AC)	80Ω ± 5%
Min. Sound Pressure Level	85dB/10cm
Resonant Frequency	2400Hz
Operating Temperature	-20~+70℃
Weight	2g

* Value applying at rated voltage



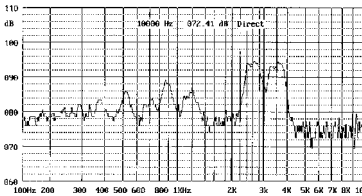
color Black
PBT Housing Material
Pin Terminal

DIMENSIONS



KPM-1212A series Magnetic Buzzer

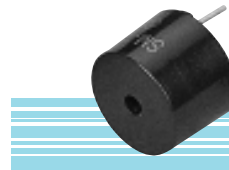
FREQUENCY RESPONSE
[actual curve of type]



applied voltage: 12V, 1/2 duty, square wave distance for measurement: 10cm

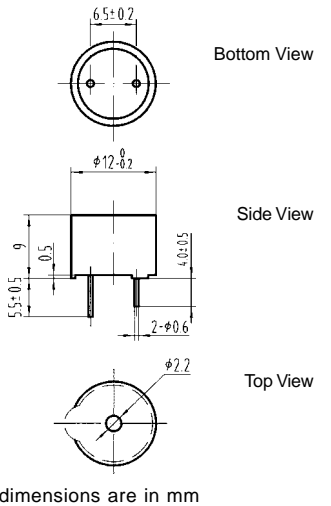
Model No	KPM-1212A
Rated Voltage	12V
Operating Voltage	8-16V
Max. Rated Current	40mA
Coil Resistance (DC)	140Ω ± 14%
Coil Impedance (AC)	240Ω ± 10%
Min. Sound Pressure Level	85dB/10cm
Resonant Frequency	2400Hz
Operating Temperature	-20~+70℃
Weight	2g

* Value applying at rated voltage



color Black
PBT Housing Material
Pin Terminal

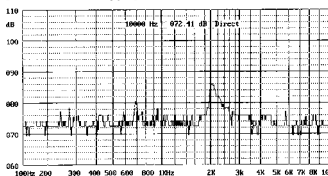
DIMENSIONS



KPM-1600A series Magnetic Buzzer

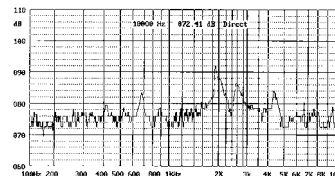
Model No	KPM-1601A	KPM-1605A	KPM-1612A
Rated Voltage	1.5V	5V	12V
Operating Voltage	1-2V	4-8V	9-15V
Max. Rated Current	15mA	40mA	40mA
Coil Resistance (DC)	27Ω ± 3%	50Ω ± 5%	115Ω ± 12%
Coil Impedance (AC)	80Ω ± 10%	110Ω ± 10%	200Ω ± 10%
Min. Sound Pressure Level	80dB/10cm	85dB/10cm	85dB/10cm
Resonant Frequency	2048Hz	2048Hz	2048Hz
Operating Temperature	-20~+70℃	-20~+70℃	-20~+70℃
Weight	7g	7g	7g

FREQUENCY RESPONSE
[actual curve of type]



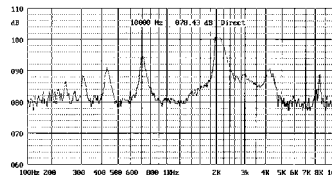
applied voltage: 1.5V, 1/2 duty, square wave distance for measurement: 10cm

FREQUENCY RESPONSE
[actual curve of type]



applied voltage: 5V, 1/2 duty, square wave distance for measurement: 10cm

FREQUENCY RESPONSE
[actual curve of type]

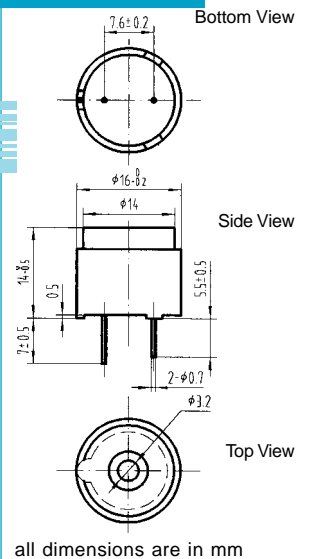


applied voltage: 12V, 1/2 duty, square wave distance for measurement: 10cm



color Black
MPPO Housing Material
Pin Terminal

DIMENSIONS



* Value applying at rated voltage

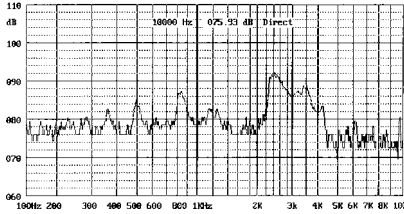
The information contained herein is believed to be correct, but no guarantee or warranty, express or implied, with respect to accuracy, completeness or results is extended and no liability is assumed. DB Products Ltd. reserves the right to make changes in any specification, data or material contained herein.

KPM-1201A series Magnetic Buzzer

DIMENSIONS

FREQUENCY RESPONSE

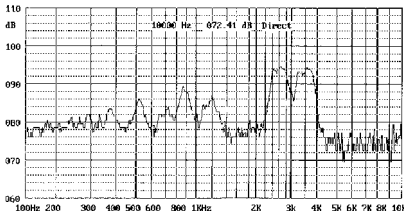
[actual curve of type]



applied voltage: 1.5 v. 1/2 duty, square wave distance for measurement: 10cm

FREQUENCY RESPONSE

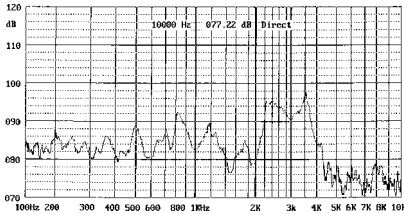
[actual curve of type]



applied voltage: 1.5 v. 1/2 duty, square wave distance for measurement: 10cm

FREQUENCY RESPONSE

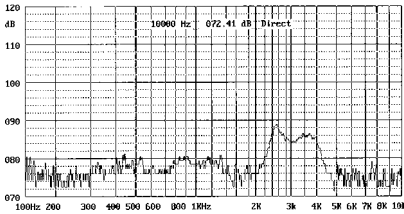
[actual curve of type]



applied voltage: 1.5 v. 1/2 duty, square wave distance for measurement: 10cm

FREQUENCY RESPONSE

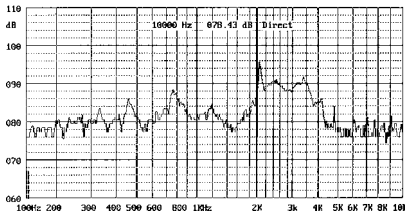
[actual curve of type]



applied voltage: 1.5 v. 1/2 duty, square wave distance for measurement: 10cm

FREQUENCY RESPONSE

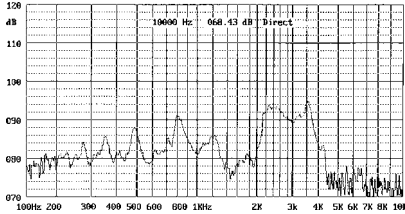
[actual curve of type]



applied voltage: 1.5 v. 1/2 duty, square wave distance for measurement: 10cm

FREQUENCY RESPONSE

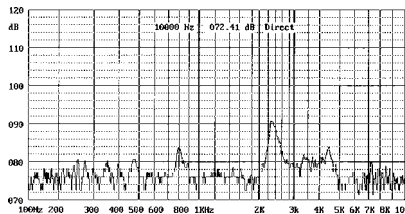
[actual curve of type]



applied voltage: 1.5 v. 1/2 duty, square wave distance for measurement: 10cm

FREQUENCY RESPONSE

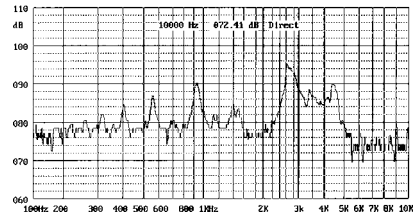
[actual curve of type]



applied voltage: 1.5 v. 1/2 duty, square wave distance for measurement: 10cm

FREQUENCY RESPONSE

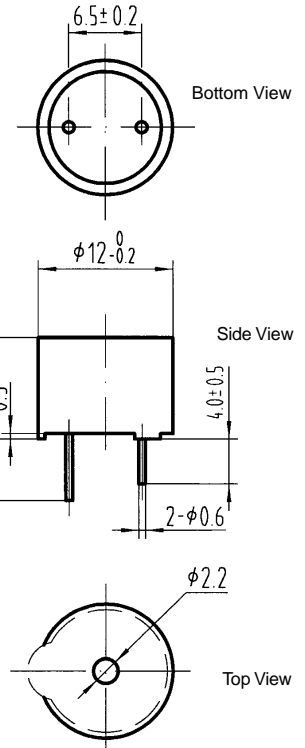
[actual curve of type]



applied voltage: 1.5 v. 1/2 duty, square wave distance for measurement: 10cm



color Black
PBT Housing Material
Pin Terminal



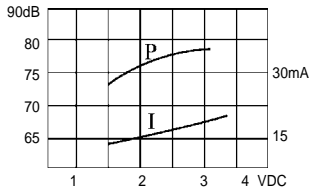
all dimensions are in mm

The information contained herein is believed to be correct, but no guarantee or warranty, express or implied, with respect to accuracy, completeness or results is extended and no liability is assumed. DB Products Ltd. reserves the right to make changes in any specification, data or material contained herein.

Model No	KPM-1201A	KPM-1201A1	KPM-1201A	2KPM-1201A3	KPM-1201A4	KPM-1201A5	KPM-1201A6	KPM-1201A8
Rated Voltage	1.5V	1.5V	1.5V	1.5V	1.5V	1.5V	1.5V	1.5V
Operating Voltage	1~2V	1~2V	1~2V	1~2V	1~2V	1~2V	1~2V	1~2V
Max. Rated Current	70mA	30mA	30mA	30mA	70mA	10mA	10mA	30mA
Coil Resistance (DC)	6.5jA2j,	16jA2j,	16jA2j,	16jA2j,	6.5jA1j,	45jA5j,	45jA5j,	16jA2j,
Coil Impedance (AC)	16j,	40j,	40j,	40j,	22j,	125j,	125j,	40j,
Min. Sound Pressure Level	80dB/10cm	75dB/10cm	75dB/10cm	75dB/10cm	80dB/10cm	70dB/10cm	70dB/10cm	85dB/10cm
Resonant Frequency	2400Hz	2048Hz	2400Hz	2600Hz	2731Hz	2400Hz	2731Hz	2800Hz
Operating Temperature	-20~+70jæ	-20~+70jæ	-20~+70jæ	-20~+70jæ	-20~+70jæ	-20~+70jæ	-20~+70jæ	-20~+70jæ

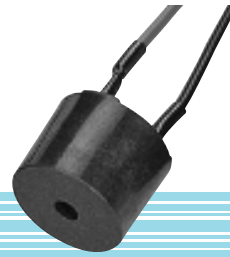
* Value applying at rated voltage

KPX-1203AL series Magnetic Buzzer



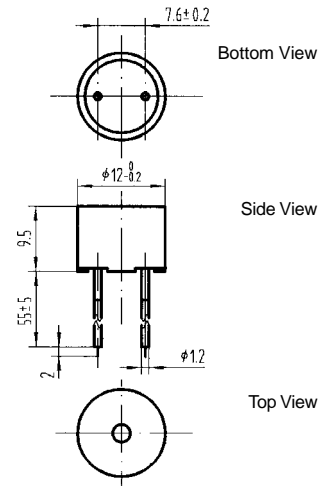
Model No	KPX-1203AL
Rated Voltage	3VDC
Operating Voltage	2~5VDC
Max. Rated Current	30mA/3VDC
Min. Sound Pressure Level	80dB/10cm
Resonant Frequency	2300 _i ~300Hz
Operating Temperature	-20~+70 _{jae}
Weight	2g

* Value applying at rated voltage



color Black
PBT Housing Material
Lead Terminal

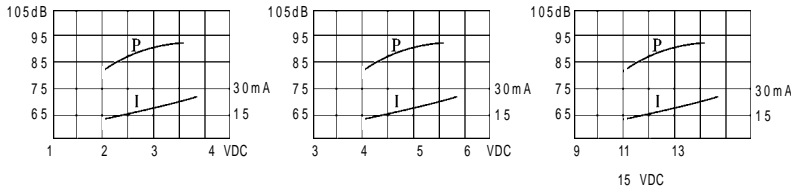
DIMENSIONS



all dimensions are in mm

KPX-1200UB series Magnetic Buzzer

Model No	KPX-203UB	KPX-1205UB	KPX-1212UB
Rated Voltage	3VDC	5VDC	12VDC
Operating Voltage	2~5VDC	4~8VDC	8~15VDC
Max. Rated Current	30mA/3VDC	30mA/5VDC	30mA/12VDC
Min. Sound Pressure Level	85dB/10cm	85dB/10cm	85dB/10cm
Resonant Frequency	2300 _i ~500Hz	2300 _i ~500Hz	2300 _i ~500Hz
Operating Temperature	-20~+70 _{jae}	-20~+70 _{jae}	-20~+70 _{jae}
Weight	2g	2g	2g

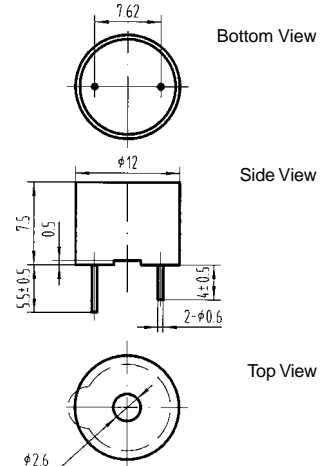


* Value applying at rated voltage



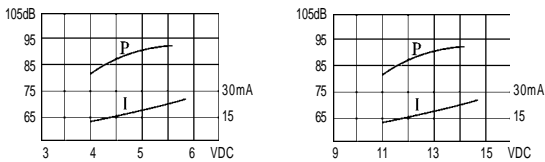
color Black
PBT Housing Material
Pin Terminal

DIMENSIONS



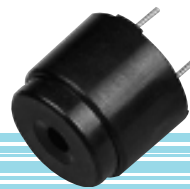
all dimensions are in mm

KPX-1605A KPX-1612A series Magnetic Buzzer



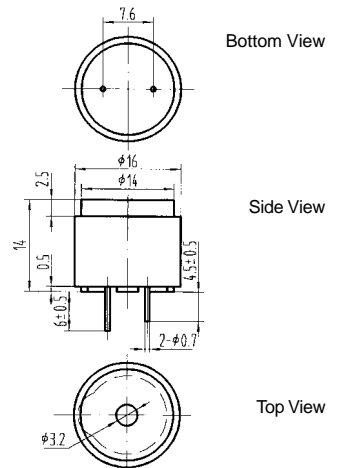
Model No	KPX-1605A	KPX-1612A
Rated Voltage	5VDC	12VDC
Operating Voltage	4~8VDC	8~15VDC
Max. Rated Current	3mA/5VDC	30mA/12VDC
Min. Sound Pressure Level	85dB/10cm	85dB/10cm
Resonant Frequency	2300 _i ~300Hz	2300 _i ~300Hz
Operating Temperature	-20~+70 _{jae}	-20~+70 _{jae}
Weight	7g	7g

* Value applying at rated voltage



color Black
MPPO Housing Material
Pin Terminal

DIMENSIONS

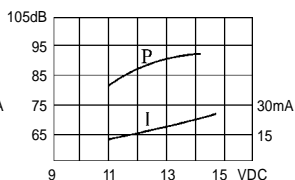
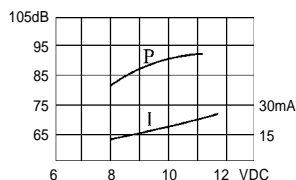
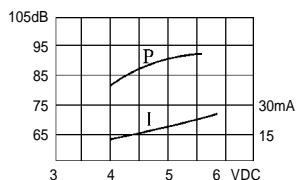
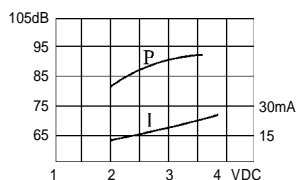
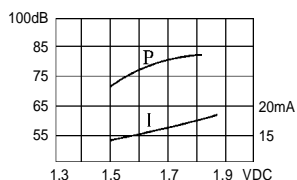


all dimensions are in mm

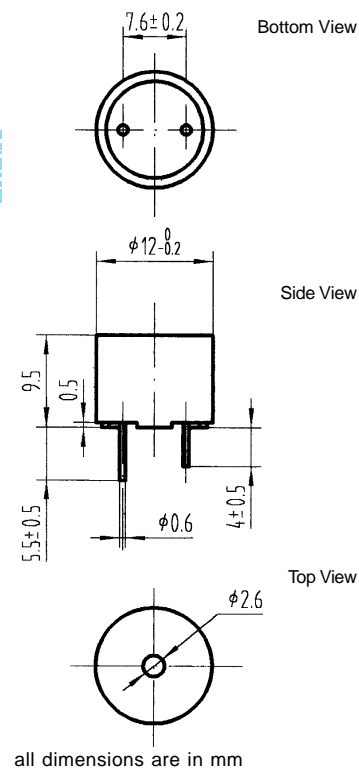
The information contained herein is believed to be correct, but no guarantee or warranty, express or implied, with respect to accuracy, completeness or results is extended and no liability is assumed. DB Products Ltd. reserves the right to make changes in any specification, data or material contained herein.

KPX-1200A series Magnetic Buzzer

DIMENSIONS



color Black
PBT Housing Material
Pin Terminal



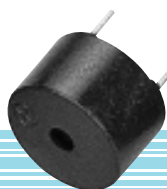
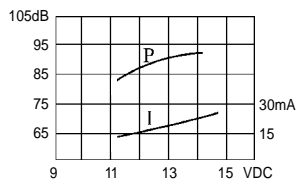
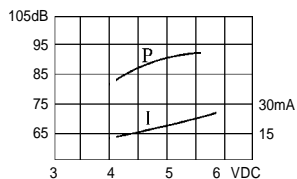
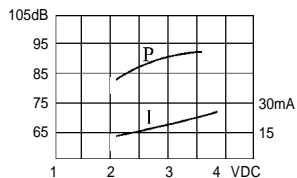
all dimensions are in mm

Model No	KPX-1201A	KPX-1203A	KPX-1205A	KPX-1209A	KPX-1212A
Rated Voltage	1.5VDC	3VDC	5VDC	9VDC	12VDC
Operating Voltage	1~2VDC	2~5VDC	4~8VDC	7~12VDC	8~15VDC
Max. Rated Current	20mA/1.5VDC	30mA/3VDC	30mA/5VDC	30mA/12VDC	30mA/12VDC
Min. Sound Pressure Level	75dB/10cm	80dB/10cm	85dB/10cm	85dB/10cm	85dB/10cm
Resonant Frequency	2300 _i Å300Hz	2300 _i Å300Hz	2300 _i Å300Hz	2300 _i Å300Hz	2300 _i Å300Hz
Operating Temperature	-20~+70jæ	-20~+70jæ	-20~+70jæ	-20~+70jæ	-20~+70jæ
Weight	2g	2g	2g	2g	2g

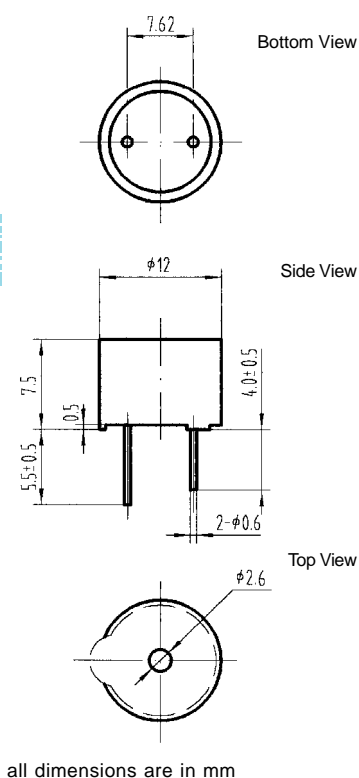
* Value applying at rated voltage

KPX-1203B KPX-1205B KPX-1212B series Magnetic Buzzer

DIMENSIONS



color Black
PBT Housing Material
Pin Terminal



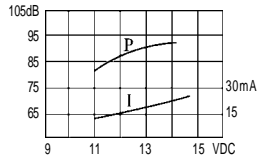
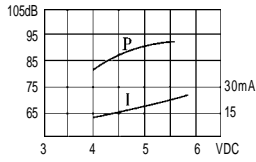
all dimensions are in mm

Model No	KPX-1203B	KPX-1205B	KPX-1212B
Rated Voltage	3VDC	5VDC	12VDC
Operating Voltage	2~5VDC	4~8VDC	8~15VDC
Max. Rated Current	30mA/3VDC	30mA/5VDC	30mA/12VDC
Min. Sound Pressure Level	85dB/10cm	85dB/10cm	85dB/10cm
Resonant Frequency	3100 _i Å500Hz	3100 _i Å500Hz	3100 _i Å500Hz
Operating Temperature	-20~+70jæ	-20~+70jæ	-20~+70jæ
Weight	2g	2g	2g

* Value applying at rated voltage

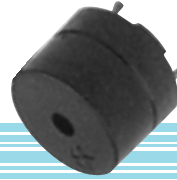
The information contained herein is believed to be correct, but no guarantee or warranty, express or implied, with respect to accuracy, completeness or results is extended and no liability is assumed. DB Products Ltd. reserves the right to make changes in any specification, data or material contained herein.

KPX-1200C series Magnetic Buzzer



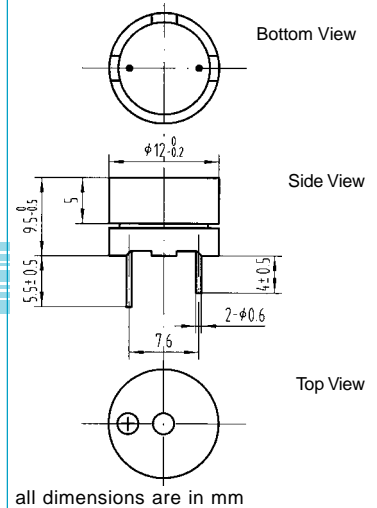
Model No	KPX-1205C	KPX-1212C
Rated Voltage	5VDC	12 VDC
Operating Voltage	4-8 VDC	9-15VDC
Max. Rated Current	30mA/5VDC	30mA/12VDC
Resonant Frequency	/	/
Min. Sound Pressure Level	80dB/10cm	80dB/10cm
Tone Nature	Pulse	Pulse
Operating Temperature	-20~+70;æ	-20~+70;æ
Weight	2 g	2 g

* Value applying at rated voltage

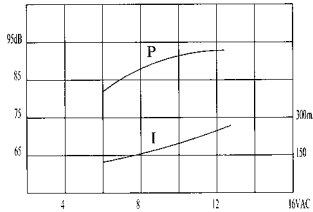


color Black
PBT Housing Material
Pin Terminal

DIMENSIONS



KPMB-38012LC series Magnetic Buzzer



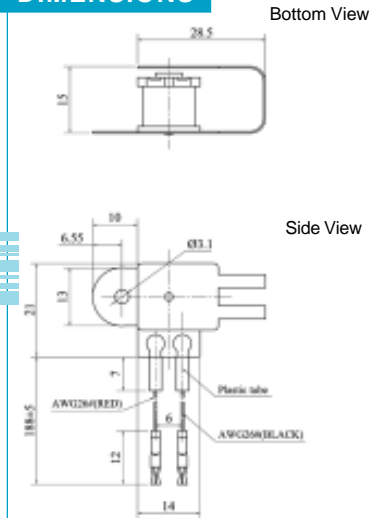
Model No	KPMB-38012LC
Rated Voltage	12VAC/50Hz
Operating Voltage	10.5j~13.5VAC/50Hz
Max. Rated Current	250mA at 12VAC
Coil Resistance	54.5j, ±10%
Min. Sound Pressure Level	75dB at 12VAC/20cm
Housing Material / Color	ABS/Black
Operating Temperature	-20j~+60;æ
Store Temperature	-30j~+70;æ
Weight	11g

* Value applying at rated voltage

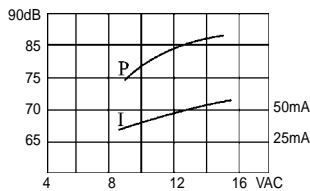


color black
ABS Housing Material
Lead Terminal

DIMENSIONS



KPMB-2612P4 series Mechanical Transducer



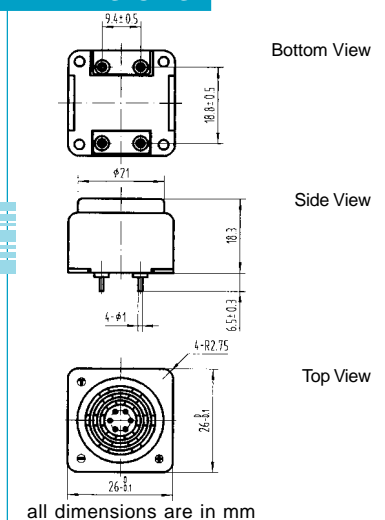
Model No	KPMB-2612P4
Rated Voltage	12VDC
Operating Voltage	9-15VDC
Max. Rated Current	55mA at 12VDC
Min. Sound Pressure Level	80dB at 12VDC/20cm
Resonant Frequency	400j~100Hz
Operating Temperature	-20~+60;æ
Weight	10g

* Value applying at rated voltage



color White
ABS Housing Material
Pin Terminal

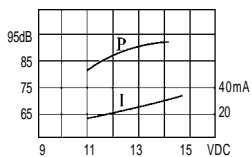
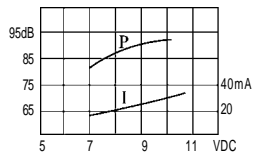
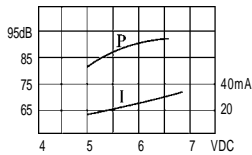
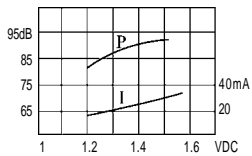
DIMENSIONS



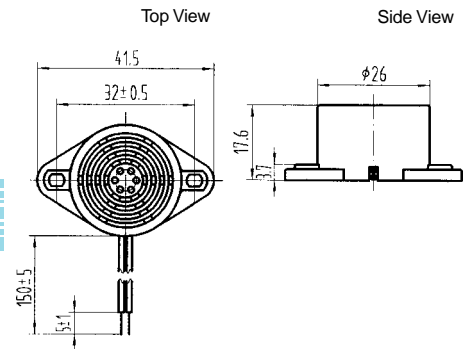
The information contained herein is believed to be correct, but no guarantee or warranty, express or implied, with respect to accuracy, completeness or results is extended and no liability is assumed. D&B Products Ltd. reserves the right to make changes in any specification, data or material contained herein.

KPMB-2600(L) series Magnetic Buzzer

DIMENSIONS



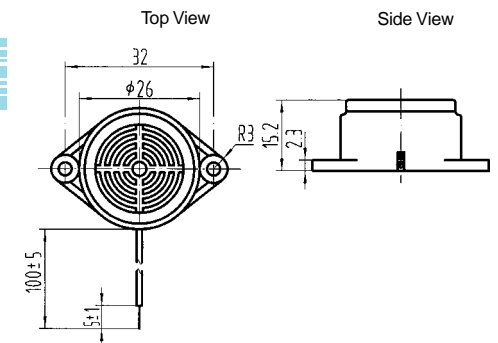
color Black
ABS Housing Material
Lead Terminal



DIMENSIONS



color Black
ABS Housing Material
Lead Terminal



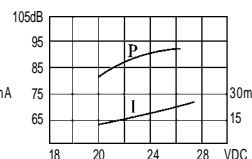
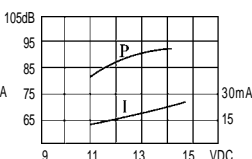
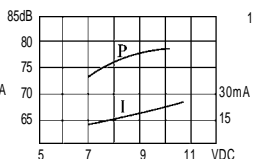
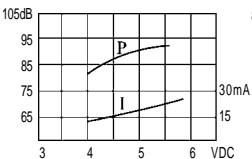
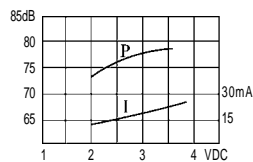
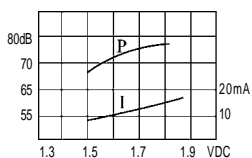
all dimensions are in mm

Model No	KPMB-2615(L)	KPMB-2603(L)	KPMB-2606(L)	KPMB-2609(L)	KPMB-2612(L)	KPMB-2624(L)
Rated Voltage	1.5VDC	3VDC	6VDC	9VDC	12VDC	24VDC
Operating Voltage	1-2VDC	2-4VDC	4-8VDC	6-12VDC	9-15VDC	15-27VDC
Max. Rated Current	40mA	40mA/3VDC	40mA/6VDC	25mA/9VDC	40mA/12VDC	40mA/24VDC
Min. Sound Pressure Level	85dB/20cm	80dB/20cm	80dB/20cm	80dB/20cm	85dB/20cm	85dB/20cm
Resonant Frequency	400jA100Hz	400jA100Hz	400jA100Hz	400jA100Hz	400jA100Hz	400jA100Hz
Operating Temperature	-20~+60jæ	-20~+60jæ	-20~+60jæ	-20~+60jæ	-20~+60jæ	-20~+60jæ
Weight	12g	12g	12g	12g	12g	12g

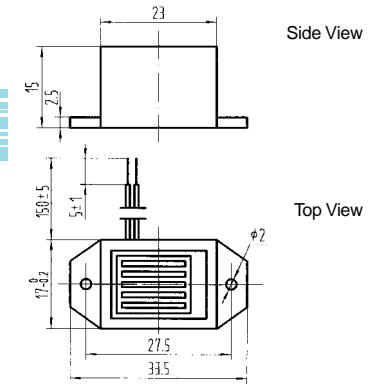
* Value applying at rated voltage

KPMB-2300L series MECHANICAL Buzzer

DIMENSIONS



color Black
ABS Housing Material
Lead Terminal



all dimensions are in mm

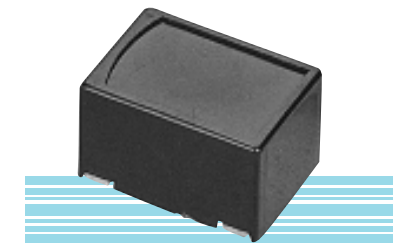
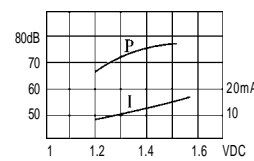
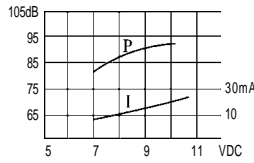
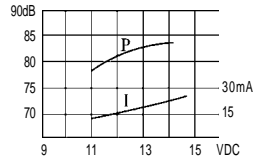
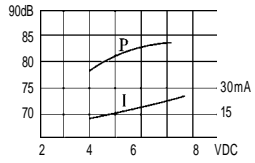
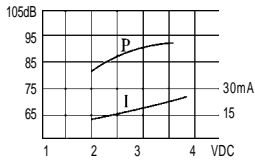
Model No	KPMB-2315L	KPMB-2303L	KPMB-2306L	KPMB-2309L	KPMB-2312L	KPMB-2324L
Rated Voltage	1.5 VDC	3VDC	6VDC	9VDC	12VDC	24VDC
Operating Voltage	1.3-2VDC	2-4VDC	4-8VDC	6-12VDC	9-15VDC	15-27VDC
Max. Rated Current	20mA at 1.5VDC	25mA at 3VDC	25mA at 6VDC	25mA at 9VDC	25mA at 12VDC	25mA at 24VDC
Min. Sound Pressure Level	70dB at 1.5VDC/20cm	75dB at 3VDC/20cm	75dB at 6VDC/20cm	75dB at 9VDC / 20cm	75dB at 12VDC/20cm	75dB at 24VDC/20cm
Resonant Frequency	400jA100Hz	400jA100Hz	400jA100Hz	400jA100Hz	400jA100Hz	400jA100Hz
Operating Temperature	-20~+60jæ	-20~+60jæ	-20~+60jæ	-20~+60jæ	-20~+60jæ	-20~+60jæ
Weight	10g	10g	10	10g	10g	10g

* Value applying at rated voltage

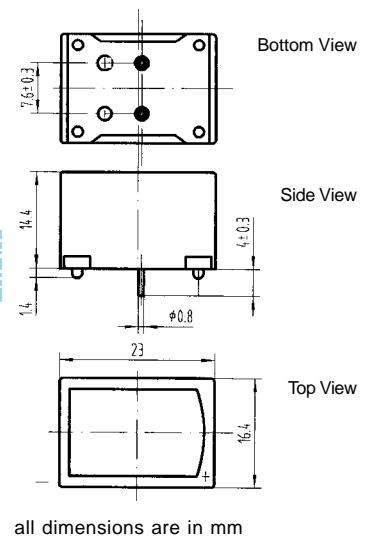
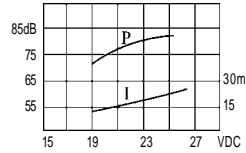
The information contained herein is believed to be correct, but no guarantee or warranty, express or implied, with respect to accuracy, completeness or results is extended and no liability is assumed. DB Products Ltd. reserves the right to make changes in any specification, data or material contained herein.

KPMB-2200P series Mechanical Buzzer

DIMENSIONS



color Black
ABS Housing Material
Pin Terminal

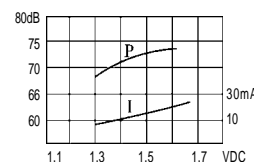
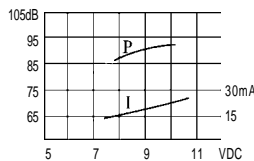
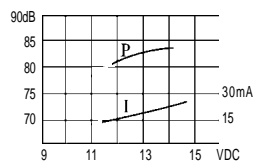
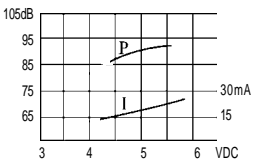
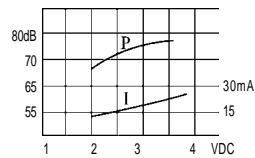


Model No	KPMB-2203P	KPMB-2206P	KPMB-2209P	KPMB-2212P	KPMB-2215P	KPMB-2224P
Rated Voltage	3VDC	6VDC	9VDC	12VDC	1.5VDC	24VDC
Operating Voltage	2~4VDC	4~8VDC	6~12VDC	9~15VDC	1~2VDC	15~27VDC
Max. Rated Current	25mA at 3VDC	25mA at 6VDC	25mA at 9VDC	25mA at 12VDC	20mA at 1.5VDC	25mA at 24VDC
Min. Sound Pressure Level	70dB at 3VDC/20cm	75dB at 6VDC/20cm	75dB at 9VDC/20cm	80dB at 12VDC/20cm	70dB at 1.5VDC/20cm	80dB at 24VDC/20cm
Resonant Frequency	400jÅ100Hz	400jÅ100Hz	400jÅ100Hz	400jÅ100Hz	400jÅ100Hz	400jÅ100Hz
Operating Temperature	-20~+60jæ	-20~+60jæ	-20~+60jæ	-20~+60jæ	-20~+60jæ	-20~+60jæ
Weight	10g	10g	10g	10g	10g	10g

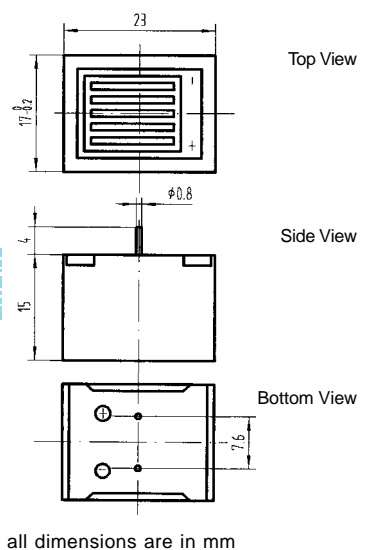
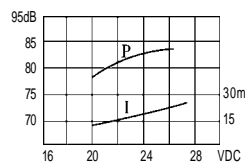
* Value applying at rated voltage

KPMB-2300P series Mechanical Buzzer

DIMENSIONS



color Black
ABS Housing Material
Pin Terminal



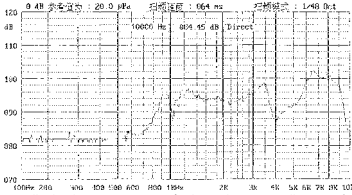
The information contained herein is believed to be correct, but no guarantee or warranty, express or implied, with respect to accuracy, completeness or results is extended and no liability is assumed. DB Products Ltd. reserves the right to make changes in any specification, data or material contained herein.

Model No	KPMB-2303P	KPMB-2306P	KPMB-2309P	KPMB-2312P	KPMB-2315P	KPMB-2324P
Rated Voltage	3VDC	6VDC	9VDC	12VDC	1.5VDC	24VDC
Operating Voltage	2~5VDC	4~8VDC	6~12VDC	9~15VDC	1~2VDC	15~27VDC
Max. Rated Current	25mA at 3VDC	25mA at 6VDC	25mA at 9VDC	25mA at 12VDC	25mA at 1.5VDC	25mA at 24VDC
Min. Sound Pressure Level	75dB at 3VDC/20cm	75dB at 6VDC/20cm	75dB at 9VDC/20cm	75dB at 12VDC/20cm	70dB at 1.5VDC/20cm	75dB at 24VDC/20cm
Resonant Frequency	400jÅ100Hz	400jÅ100Hz	400jÅ100Hz	400jÅ100Hz	400jÅ100Hz	400jÅ100Hz
Operating Temperature	-20~+60jæ	-20~+60jæ	-20~+60jæ	-20~+60jæ	-20~+60jæ	-20~+60jæ
Weight	10g	10g	10g	10g	10g	10g

* Value applying at rated voltage

KPMB-3008E series Micro Speaker

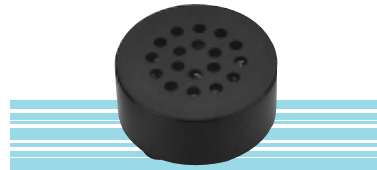
FREQUENCY RESPONSE
[actual curve of type]



applied voltage: 12 vp-p, 1/2 duty, sine wave distance for measurement: 10cm

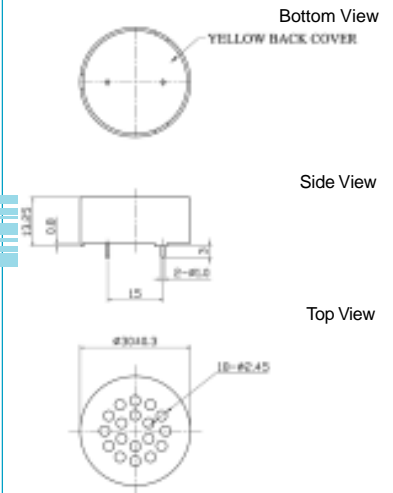
Model No	KPMB-3008E
Rated Noise Power	0.15W
Max. Input Power	0.3W
Rated Frequency Range	500j~5000Hz
Rated Frequency	1100j±15%Hz
Rated Impedance	8j
Min. Sound Pressure Level	85dB at 1KHz 1.1Vrms Sine Wave/10cm
Housing Material/Color	PA66/Black
Operating Temperature	-20j~+60ø
Store Temperature	-30j~+70ø
Weight	10g

* Value applying at rated voltage



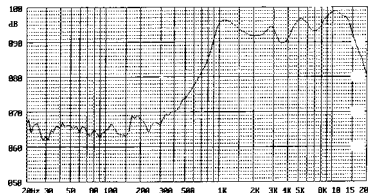
color Black
PA66 Housing Material
Pin Terminal

DIMENSIONS



KPMB-3008 series Micro Speaker

FREQUENCY RESPONSE
[actual curve of type]



applied voltage: 12 vp-p, 1/2 duty, sine wave distance for measurement: 10cm

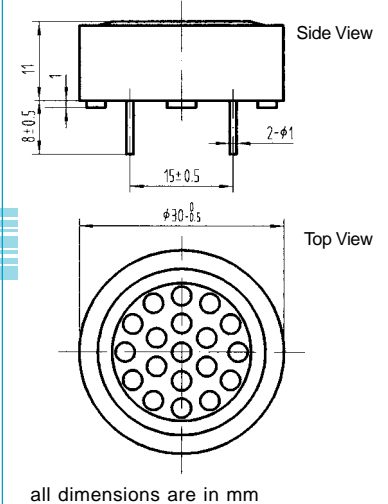
Model No	KPMB-3008
Rated Noise Power	0.15W
Rated Long Max Power	0.3W
Rated Frequency Range	700~50000Hz
Rated Impedance	8j
Min Sound Pressure Level	75dB at 1.2KHz 1.1 Vrms Sine Wave/10cm
Resonant Frequency	1200j±200Hz
Operating Temperature	-20~+60jæ
Weight	12g

* Value applying at rated voltage



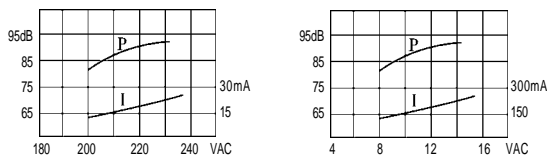
color Black
ABS Housing Material
Pin Terminal

DIMENSIONS



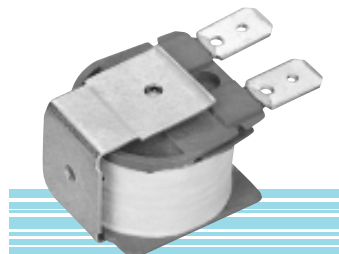
all dimensions are in mm

KPMB-23000series Magnetic Buzzer



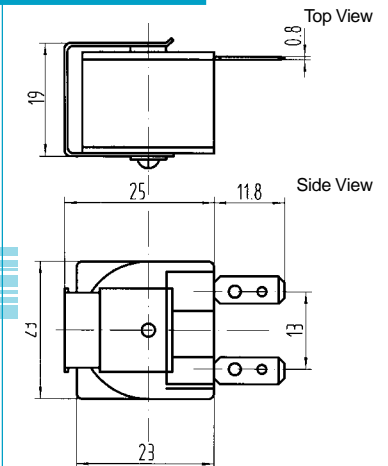
Model No	KPMB-23220	KPMB-23012
Rated Voltage	220 VAC	12 VAC
Operating Voltage	180~260 VAC	10.5~13.5VAC
Max. Rated Current	30mA/220VAC	250mA/12VAC
Min. Sound Pressure Level	80dB/220VAC/20cm	80dB/12VAC/20cm
Common Terminal Bear Pulling Force	jÜ9Kg	jÜ9Kg
Operating Temperature	-25~+75jæ	-25~+75jæ
Weight	20 g	20 g

* Value applying at rated voltage



color Black
PPO Framework Material
Pin Terminal

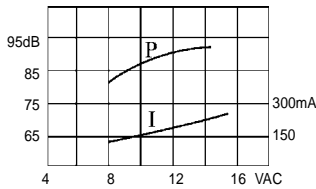
DIMENSIONS



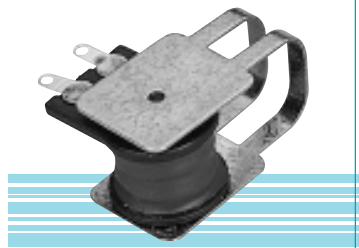
all dimensions are in mm

The information contained herein is believed to be correct, but no guarantee or warranty, express or implied, with respect to accuracy, completeness or results is extended and no liability is assumed. DB Products Ltd. reserves the right to make changes in any specification, data or material contained herein.

KPMB-28012 series Magnetic Buzzer

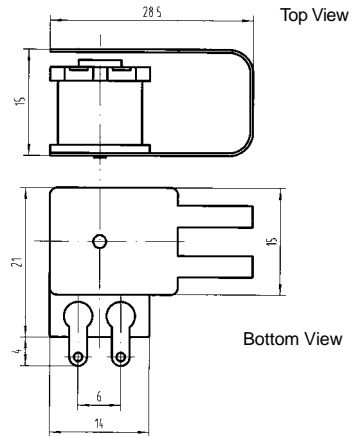


Model No	KPMB-28012
Rated Voltage	12VAC/50Hz
Operating Voltage	10.5-13.5VAC/50Hz
Max. Rated Current	250mA/12VAC
Min. Sound Pressure Level	75dB/12VAC/20cm
Operating Temperature	-25--+60℃
Weight	9g



color Black
ABS Framework Material
Pin Terminal

DIMENSIONS

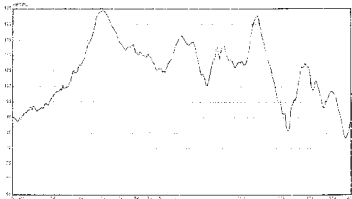


all dimensions are in mm

* Value applying at rated voltage

PCT-5120 series Ultra Sonic Transducer

FREQUENCY RESPONSE [actual curve of type]



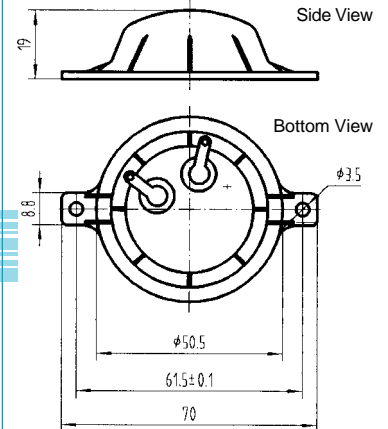
applied voltage: 12Vp-p, 1/2 duty, sine wave distance for measurement: 30cm

Model No	PCT-5120
Rated Voltage	10Vp-p
Max. Allowable Voltage	30Vp-p
Rated Frequency Range	2.5-60KHz
Rated Sensitivity	92±3dB/w.10cm
Resonant Frequency	3.3±0.5KHz
Operating Temperature	-20--+70℃
Weight	10g



color Black
PBT Housing Material
Pin Terminal

DIMENSIONS

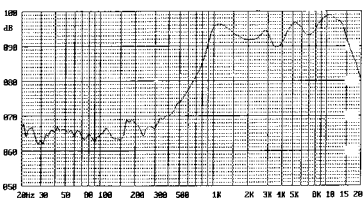


all dimensions are in mm

* Value applying at rated voltage

PCT-4540 series Ultra Sonic Transducer

FREQUENCY RESPONSE [actual curve of type]



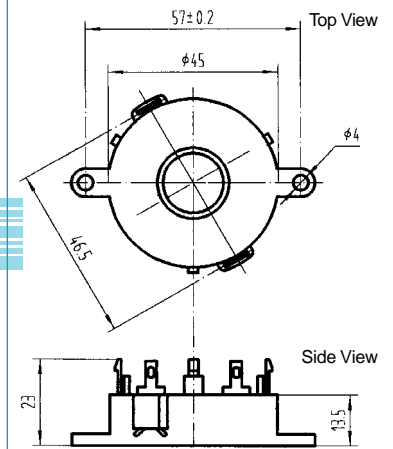
applied voltage: 12Vp-p, 1/2 duty, sine wave distance for measurement: 30cm

Model No	PCT-4540
Rated Voltage	2.83Sine Wave RMS
Max. Rated Current	50Vp-p Square Wave
Min. Sound Pressure Level	98dB at 2.83V Sine Wave RMS/21<2.5KHz/50cm
Resonant Frequency	2000±4000Hz
Max. Capacitance at 100Hz	273nF
Housing Material/Color	PA66/Black
Operating Temperature	-20℃--+105℃
Store Temperature	-40℃--+105℃
Weight	9g



color Black
PA Housing Material
Pin Terminal

DIMENSIONS



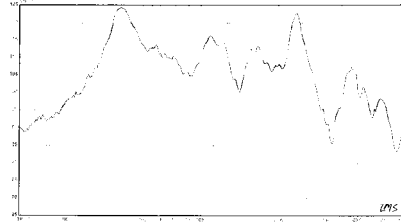
all dimensions are in mm

* Value applying at rated voltage

The information contained herein is believed to be correct, but no guarantee or warranty, express or implied, with respect to accuracy, completeness or results is extended and no liability is assumed. DB Products Ltd. reserves the right to make changes in any specification, data or material contained herein.

PCT-4000 series Ultra Sonic Transducer

FREQUENCY RESPONSE
[actual curve of type]

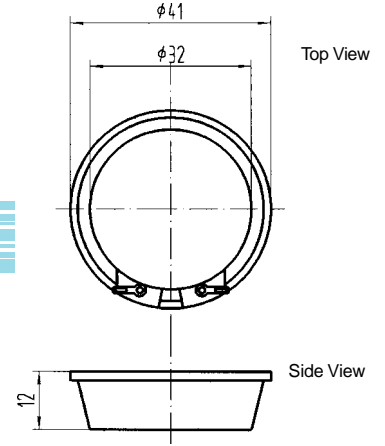


Model No	PCT-4000
Rated Voltage	10Vp-p
Max. Allowable Voltage	30Vp-p
Min. Sound Pressure Level	80 \pm 3dB/w.m
Resonant Frequency	22 \pm 3KHz
Rated Frequency Range	2.5-50KHz
Operating Temperature	-20--+70 \pm
Weight	/



color Black
PC Housing Material
Pin Terminal

DIMENSIONS

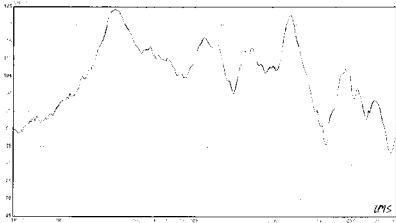


all dimensions are in mm

* Value applying at rated voltage

PCT-5100 series Ultra Sonic Transducer

FREQUENCY RESPONSE
[actual curve of type]

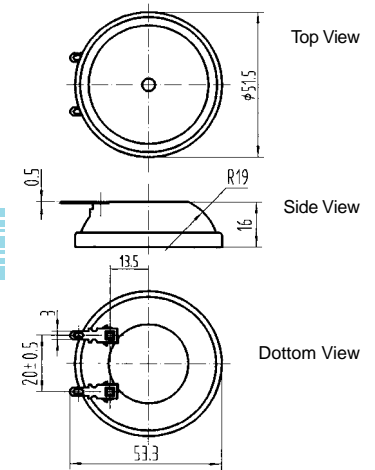


Model No	PCT-5100
Rated Voltage	10Vp-p
Max. Allowable Voltage	30Vp-p
Rated Frequency Range	2.5-40KHz
Rated Sensitivity	92 \pm 3dB/w.10cm
Resonant Frequency	22 \pm 3KHz
Operating Temperature	-20--+70 \pm
Weight	10g



color Black
PC Housing Material
Pin Terminal

DIMENSIONS

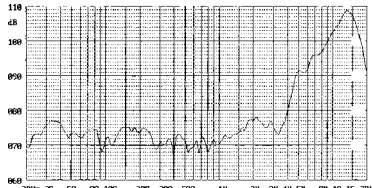


all dimensions are in mm

* Value applying at rated voltage

PCT-4275 series Ultra Sonic Transducer

FREQUENCY RESPONSE
[actual curve of type]



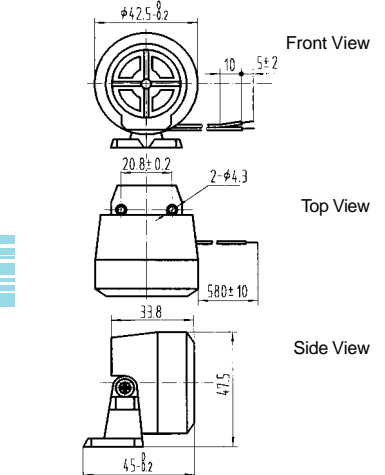
applied voltage: 10Vp-p, 1/2 duty, sine wave distance for measurement: 100cm

Model No	PCT-4275
Rated Voltage	10Vp-p
Max. Allowable Voltage	30Vp-p
Min. Sound Pressure Level	100dB/10Vp-pSineWave/7.5KHz/100cm
Resonant Frequency	7.5 \pm 1KHz
Operating Temperature	-20--+70 \pm
Weight	38g



color Black
PBT Housing Material
Lead Terminal

DIMENSIONS



all dimensions are in mm

* Value applying at rated voltage

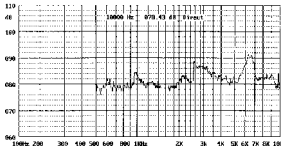
The information contained herein is believed to be correct, but no guarantee or warranty, express or implied, with respect to accuracy, completeness or results is extended and no liability is assumed. DB Products Ltd. reserves the right to make changes in any specification, data or material contained herein.

SMT Transducer

SMT-8030series SMT Transducer

Model No	SMT-8030B	SMT-8030C	SMT-8030S
Rated Voltage	3.6V	3.6V	3.6V
Operating Voltage	2.0-5.0V	2.5-4.5V	3.0-5.0V
Max. Rated Current	90mA	80mA	90mA
Min. Sound Pressure Level	85dB/10cm	88dB/10cm	85dB/10cm
Coil Resistance (DC)	16 j A 3 j	16 j A 3 j	20 j A 3 j
Resonant Frequency	2670Hz	2700Hz	2650Hz
Operating Temperature	-30~+70jæ	-30~+70jæ	-25~+70jæ
Weight	1 g	1 g	1 g

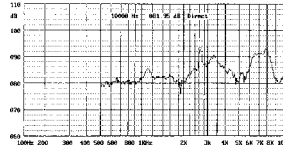
FREQUENCYRESPONSE
[actual curve of type]



applied voltage: 3.6V. 1/2 duty, square wave
distance for measurement: 10cm

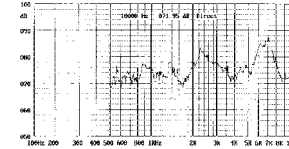
* Value applying at rated voltage

FREQUENCYRESPONSE
[actual curve of type]

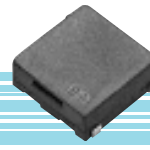


applied voltage: 3.6V. 1/2 duty, square wave
distance for measurement: 10cm

FREQUENCYRESPONSE
[actual curve of type]

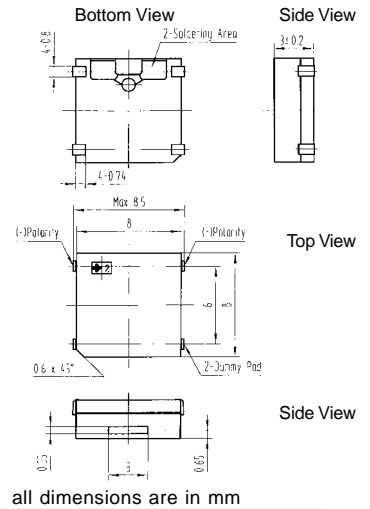


applied voltage: 3.6V. 1/2 duty, square wave
distance for measurement: 10cm



color Black
PPS Housing Material
SMT Terminal

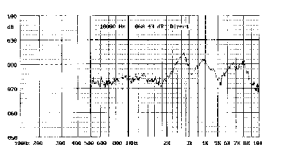
DIMENSIONS



SMT-8540 series SMT Transducer

Model No	SMT-8540A	SMT-8540B	SMT-8540C
Rated Voltage	3.6V	3.6V	3.6V
Operating Voltage	2.0-5.0V	3.0-4.2V	2.5-4.5V
Max. Rated Current	90mA	100mA	80mA
Min. Sound Pressure Level	85dB/10cm	90dB/10cm	88dB/10cm
Coil Resistance (DC)	16 j A 3 j	16 j A 3 j	16 j A 3 j
Resonant Frequency	2400Hz	3000Hz	2700Hz
Operating Temperature	-30~+70jæ	-20~+60jæ	-30~+70jæ
Weight	1 g	1 g	1 g

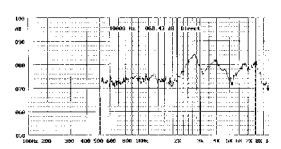
FREQUENCYRESPONSE
[actual curve of type]



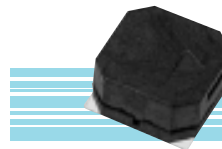
applied voltage: 3.6V. 1/2 duty, square wave
distance for measurement: 10cm

* Value applying at rated voltage

FREQUENCYRESPONSE
[actual curve of type]

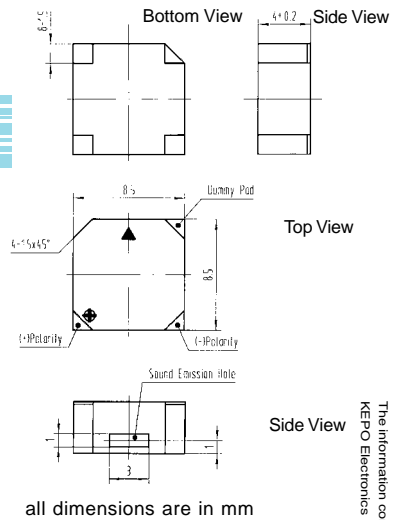


applied voltage: 3.6V. 1/2 duty, square wave
distance for measurement: 10cm



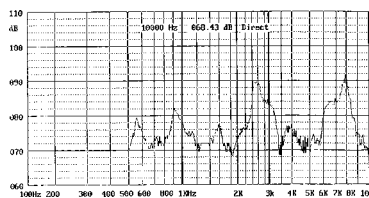
color Black
PPS Housing Material
SMT Terminal

DIMENSIONS



SMT-9050R Magnetic Buzzer

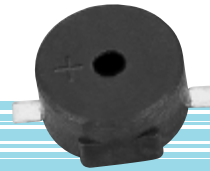
FREQUENCYRESPONSE
[actual curve of type]



applied voltage: 3.6V. 1/2 duty, square wave distance for measurement: 10cm

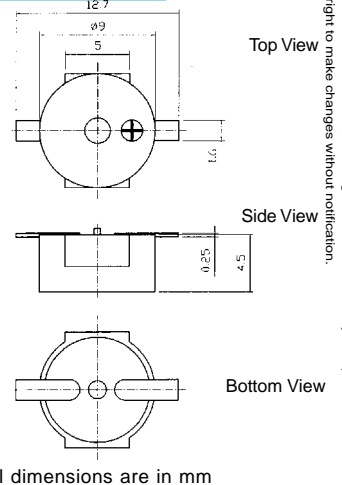
Model No	SMT-9050R
Rated Voltage	3V
Operating Voltage	2.0-4.0V
Max. Rated Current	90mA
Min. Sound Pressure Level	88dB/10cm
Coil Resistance	15 j A 3 j
Resonant Frequency	2650Hz
Operating Temperature	-20 ~ +60jæ
Weight	1 g

* Value applying at rated voltage



color Black
PPS Housing Material
SMT Terminal

DIMENSIONS



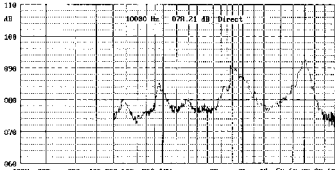
The information contained herein is believed to be correct, but no guarantee for accuracy, completeness KEPO Electronics Ltd. reserves the right to make changes without notification.

SMT Transducer

SMT-9632H SMT Transducer

FREQUENCY RESPONSE

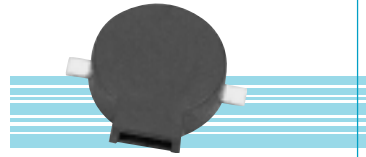
[actual curve of type]



applied voltage: 1.5V. 1/2 duty, square wave distance for measurement: 10cm

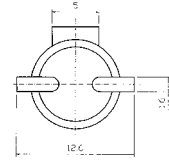
Model No	SMT-9632H
Rated Voltage	1.5V
Operating Voltage	1.0-2.0V
Max. Rated Current	80mA
Min. Sound Pressure Level	85dB/10cm
Coil Resistance (DC)	5.5 ± 1.1
Resonant Frequency	2731Hz
Operating Temperature	-25~+70;æ
Weight	1 g

* Value applying at rated voltage

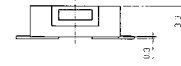


color Black
PPS Housing Material
SMT Terminal

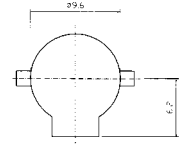
DIMENSIONS



Bottom View



Side View



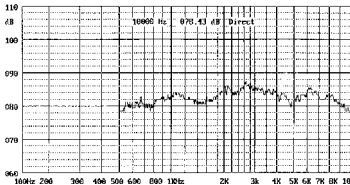
Top View

all dimensions are in mm

SMT-1020T series SMT Transducer

FREQUENCY RESPONSE

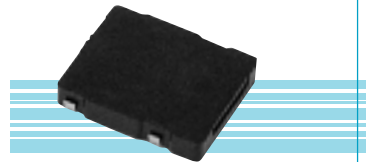
[actual curve of type]



applied voltage: 3.6V. 1/2 duty, square wave distance for measurement: 10cm

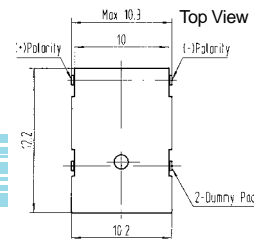
Model No	SMT-1020T
Rated Voltage	3.6V
Operating Voltage	2.5-4.5V
Max. Rated Current	80mA
Min. Sound Pressure Level	88dB/10cm
Coil Resistance (DC)	2.0 ± 0.3
Resonant Frequency	2670Hz
Operating Temperature	-30~+70;æ
Weight	2g

* Value applying at rated voltage



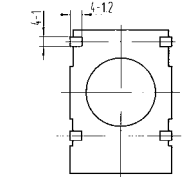
color Black
PPS Housing Material
SMT Terminal

DIMENSIONS



Top View

Side View



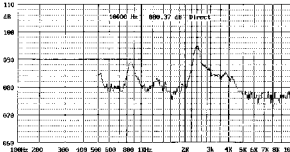
Bottom View

all dimensions are in mm

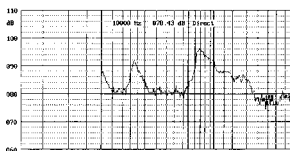
SMT-1265 series SMT Transducer

FREQUENCY RESPONSE

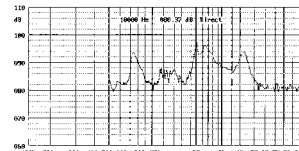
[actual curve of type]



applied voltage: 1.5V. 1/2 duty, square wave distance for measurement: 10cm



applied voltage: 5V. 1/2 duty, square wave distance for measurement: 10cm



applied voltage: 12V. 1/2 duty, square wave distance for measurement: 10cm

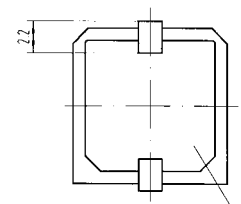
Model No	SMT-1265A	SMT-1265B	SMT-1265C
Rated Voltage	1.5V	5V	12V
Operating Voltage	1-3V	4-7V	8-16V
Max. Rated Current	30mA	40mA	40mA
Min. Sound Pressure Level	85dB/10cm	90dB/10cm	90dB/10cm
Coil Resistance (DC)	1.5 ± 0.1	4.7 ± 0.1	1.40 ± 0.1
Coil Impedance (AC)	4.0 ± 0.1	8.0 ± 0.1	2.40 ± 0.1
Resonant Frequency	2400Hz	2400Hz	2400Hz
Operating Temperature	-20~+70;æ	-20~+70;æ	-20~+70;æ
Weight	2 g	2 g	2 g

* Value applying at rated voltage

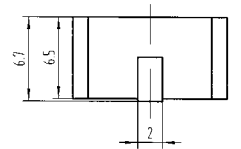


color Black
PPS Housing Material
SMT Terminal

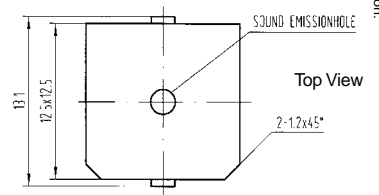
DIMENSIONS



Bottom View



Side View



Top View

all dimensions are in mm

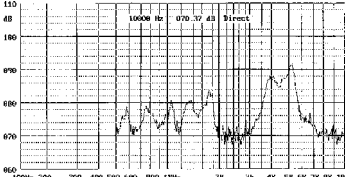
The information contained herein is believed to be correct, but no guarantee for accuracy, completeness KEPO Electronics Ltd. reserves the right to make changes without notification.

SMT Transducer

SPT-1448 SMT Transducer

FREQUENCY RESPONSE

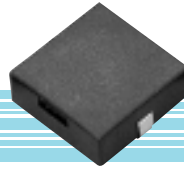
[actual curve of type]



applied voltage: 10V, 1/2 duty, square wave distance for measurement: 10cm

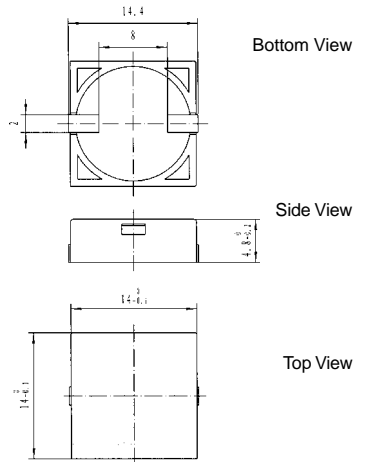
Model No	SPT-1448
Rated Voltage	12Vp-p Square Wave
Operating Voltage	30Vp-p Square Wave
Max. Rated Current	2mA at 4KHz /12Vp-p Square Wave
Min. Sound Pressure Level	85dB at 4KHz /12Vp-p Square Wave
Capacitance at 100Hz	10000jA30%pF
Resonant Frequency	4.0KHz
Operating Temperature	-20~+80jæ
Weight	1 g

* Value applying at rated voltage



color Black
PPS Housing Material
SMT Terminal

DIMENSIONS

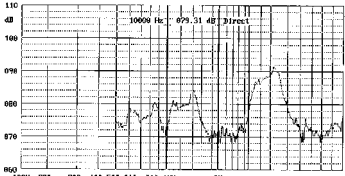


all dimensions are in mm

SPT-1750 SMT Transducer

FREQUENCY RESPONSE

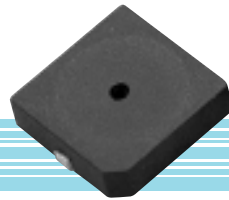
[actual curve of type]



applied voltage: 10V, 1/2 duty, square wave distance for measurement: 10cm

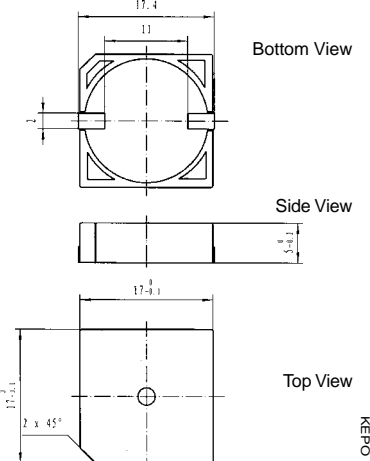
Model No	SPT-1750
Rated Voltage	12Vp-p Square Wave
Operating Voltage	30Vp-p Square Wave
Max. Rated Current	2mA at 4KHz /12Vp-p Square Wave
Min. Sound Pressure Level	85dB at 4KHz /12Vp-p Square Wave
Capacitance at 100Hz	10000jA30%pF
Resonant Frequency	4.0KHz
Operating Temperature	-20~+80jæ
Weight	1.5 g

* Value applying at rated voltage



color Black
PPS Housing Material
SMT Terminal

DIMENSIONS

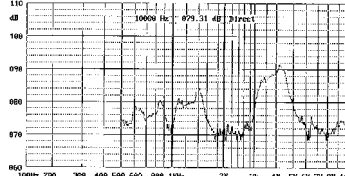


all dimensions are in mm

SPT-2270 SMT Transducer

FREQUENCY RESPONSE

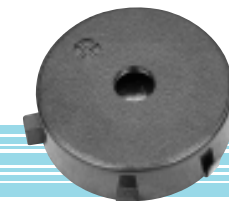
[actual curve of type]



applied voltage: 10V, 1/2 duty, square wave distance for measurement: 10cm

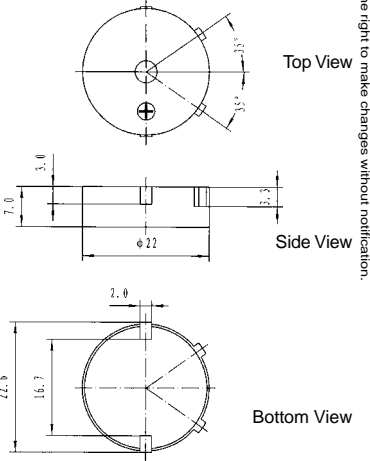
Model No	SPT-2270
Rated Voltage	10Vp-p Square Wave
Operating Voltage	1~30Vp-p Square Wave
Max. Rated Current	3mA at 4KHz /10Vp-p Square Wave
Min. Sound Pressure Level	85dB at 4KHz /10Vp-p Square Wave
Capacitance at 100Hz	15000jA30%pF
Resonant Frequency	4.0jA5.0KHz
Operating Temperature	-20~+80jæ
Weight	2.5 g

* Value applying at rated voltage



color Black
PPS Housing Material
SMT Terminal

DIMENSIONS

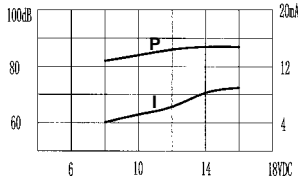


all dimensions are in mm

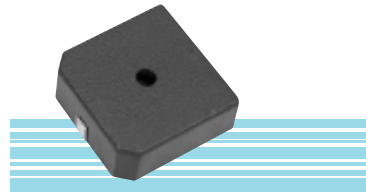
The information contained herein is believed to be correct, but no guarantee for accuracy, completeness KEPO Electronics Ltd. reserves the right to make changes without notification.

SMT Buzzer

SPA-1712 series SMT Buzzer

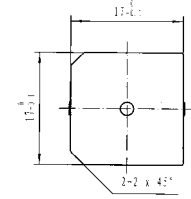


Model No	SPA-1712
Rated Voltage	12VDC
Operating Voltage	1.5~16 VDC
Max. Rated Current	10mA at 12VDC
Min. Sound Pressure Level	85dB / 12VDC/ 10cm
Resonant Frequency	4.0±0.5KHz
Operating Temperature	-20~+80jæ
Tone Nature	Continuous
Weight	2 g

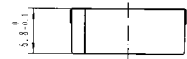


color Black
PPS Housing Material
SMT Terminal

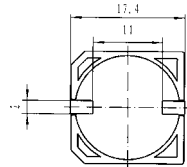
DIMENSIONS



Top View



Side View

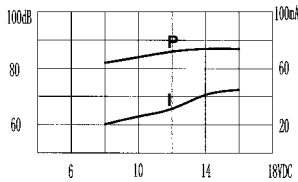


Bottom View

all dimensions are in mm

* Value applying at rated voltage

SMA-1200B series SMT Buzzer

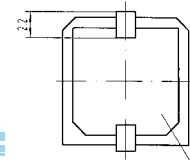


Model No	SMA-1201B	SMA-1205B	SMA-1212B
Rated Voltage	1.5V	5V	12V
Operating Voltage	1.4~3V	4~7V	8~15V
Max. Rated Current	20mA	40mA	40mA
Min. Sound Pressure Level	80dB/10cm	87dB/10cm	90dB/10cm
Resonant Frequency	2300Hz±300Hz	2300Hz±300Hz	2300Hz±300Hz
Operating Temperature	-20~+70jæ	-20~+70jæ	-20~+70jæ
Tone Nature	Continuous	Continuous	Continuous
Weight	2 g	2 g	2 g

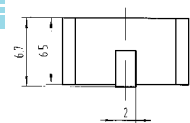


color black
PPS Housing Material
SMT Terminal

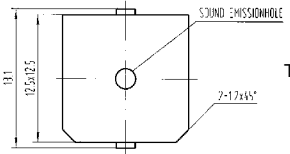
DIMENSIONS



Bottom View



Side View

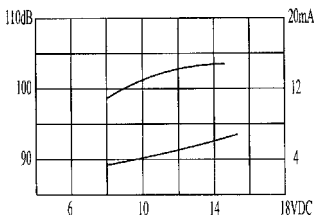


Top View

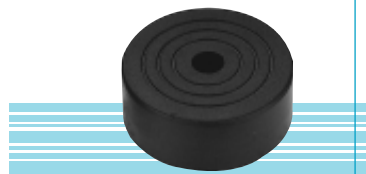
all dimensions are in mm

* Value applying at rated voltage

KPI-4000P series Piezo buzzer

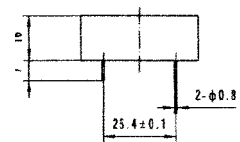


Model No	KPI-4000P
Rated Voltage	12VDC
Operating Voltage	3-20VDC
Max. Rated Current	12mA at 12VDC
Min. Sound Pressure Level	98dB at 12VDC/30cm
Tone Nature	Continuous
Resonant Frequency	2.8±0.5KHz
Housing Material/Color	ABS/Black
Operating Temperature	-20jæ~+60jæ
Store Temperature	-30jæ~+70jæ
Weight	10g

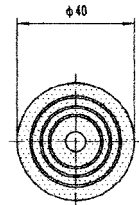


color Black
ABS Housing Material
Lead Terminal

DIMENSIONS



Side View



Top View

all dimensions are in mm

* Value applying at rated voltage