
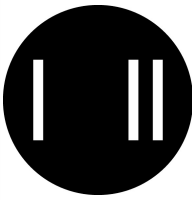






Key-operated actuators, Flat Front, not suitable for master key systems, 2 positions, maintained, labeled

Part no. **M30C-FWRS-X95**
 Catalog No. **187067**
 Eaton Catalog No. **M30C-FWRS-X95**

Delivery program

| | | | |
|---|---|--|--|
| Product range | | | RMQ-Titan |
| Basic function | | | Key-operated buttons |
| Single unit/Complete unit | | | Single unit |
| Design | | | key operation lock mechanism maintained |
| Function: | | | |
| | | |  60° |
| | | | Not suitable for master key systems |
| | | | 2 positions |
| Key withdrawable in position | | | |
| | | | I |
| | | | II |
| Button plate | | | |
| button plate | | | black |
| Button plate | | |  |
| | | | inscribed |
| Degree of Protection | | | IP64 |
| Front ring | | | Metal bezel |
| Connection to SmartWire-DT | | | Yes, with SWD-RMQ connections |
| Actuator travel and actuation force as per DIN EN 60947-5-1, K.5.4.1 | | | |
| Minimum force for positive opening | N | | 0 |
| Front dimensions | | | Ø 36 mm |
| Instructions | | | Stay-put/spring-return function, can be changed with coding parts M22-XC-Y Key withdraw convertible with coding adapters M22-XC-... |
| Information about equipment supplied | | | With 1 key |

Technical data

| | | | |
|-----------------------------|--------------|-------------------|---|
| General | | | |
| Standards | | | IEC/EN 60947 VDE 0660 |
| Lifespan, mechanical | Operations | x 10 ⁶ | > 0.1 |
| Operating frequency | Operations/h | |  100 |
| Operating torque | | Nm |  0.5 |
| Climatic proofing | | | Damp heat, constant, to IEC 60068-2-78 Damp heat, cyclic, to IEC 60068-2-30 |
| Degree of Protection | | | IP64 |
| Ambient temperature | | | |
| Open | | °C | -25 - +70 |
| Mounting position | | | As required |
| Mechanical shock resistance | | g | 15 Shock duration 11 ms Sinusoidal |

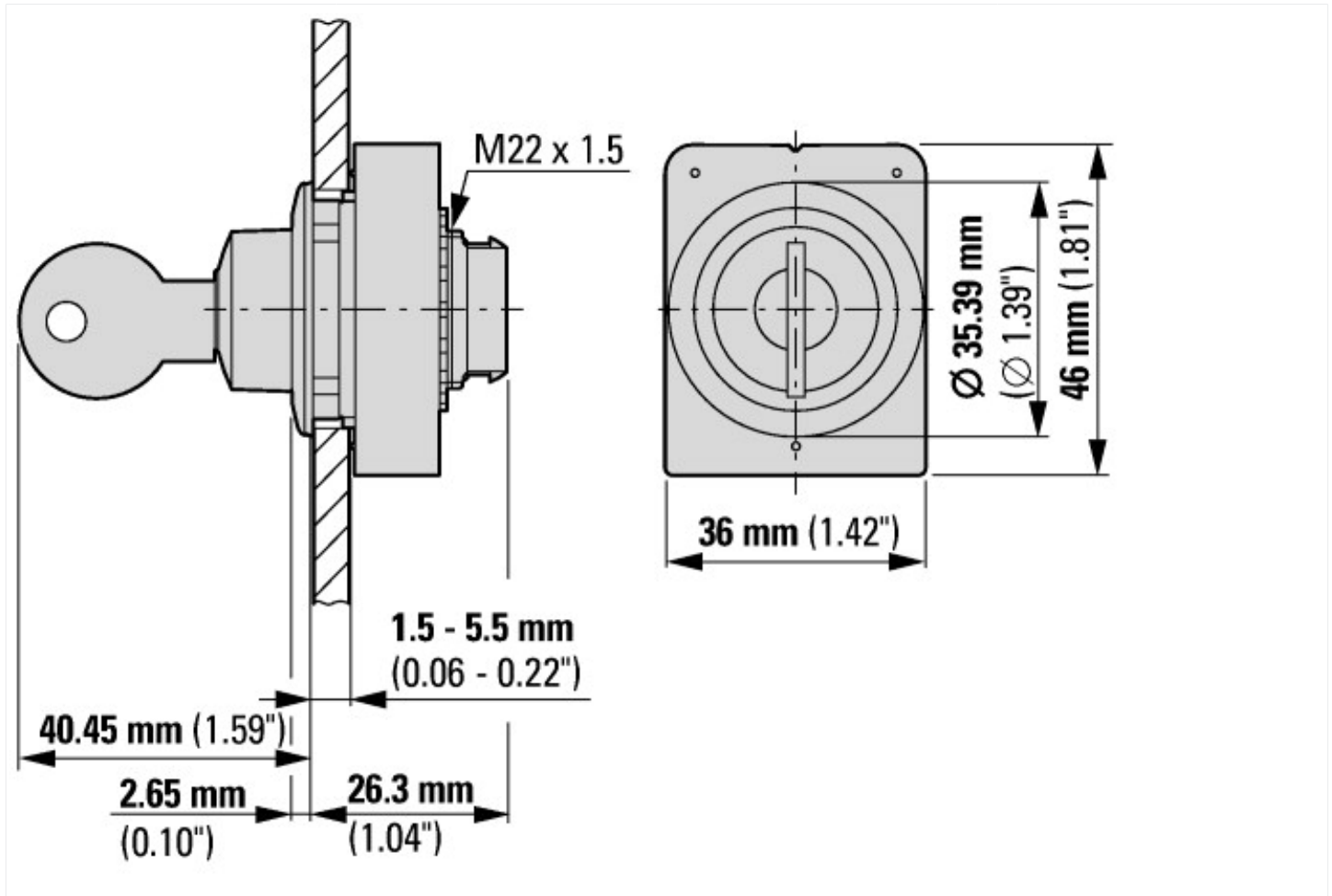
Design verification as per IEC/EN 61439

| Technical data for design verification | | |
|--|----|-----|
| Operating ambient temperature max. | °C | -25 |
| Operating ambient temperature max. | °C | 70 |

Technical data ETIM 6.0

| Low-voltage industrial components (EG000017) / Front element for selector switch (EC000222) | | |
|--|----|----------------|
| Electric engineering, automation, process control engineering / Low-voltage switch technology / Command and alarm device / Front element for selector switches (ecl@ss8.1-27-37-12-13 [AKF031011]) | | |
| Number of switch positions | | 2 |
| Type of control element | | Key |
| Suitable for illumination | | No |
| Colour control element | | Black |
| Colour indicator light cap | | Not applicable |
| Construction type lens | | Round |
| Hole diameter | mm | 30 |
| Width opening | mm | 0 |
| Height meter opening | mm | 0 |
| Switching function latching | | Yes |
| Spring-return | | No |
| Degree of protection (IP), front side | | IP66 |
| With front ring | | Yes |
| Material front ring | | Metal |
| Colour front ring | | Chrome |

Dimensions





with 2 M22-K... standard contact elements



with M22-FK... flat rear contact elements



Additional product information (links)

IL047019ZU Flat Front

IL047019ZU Flat Front

ftp://ftp.moeller.net/DOCUMENTATION/AWA_INSTRUCTIONS/IL047019ZU2017_02.pdf