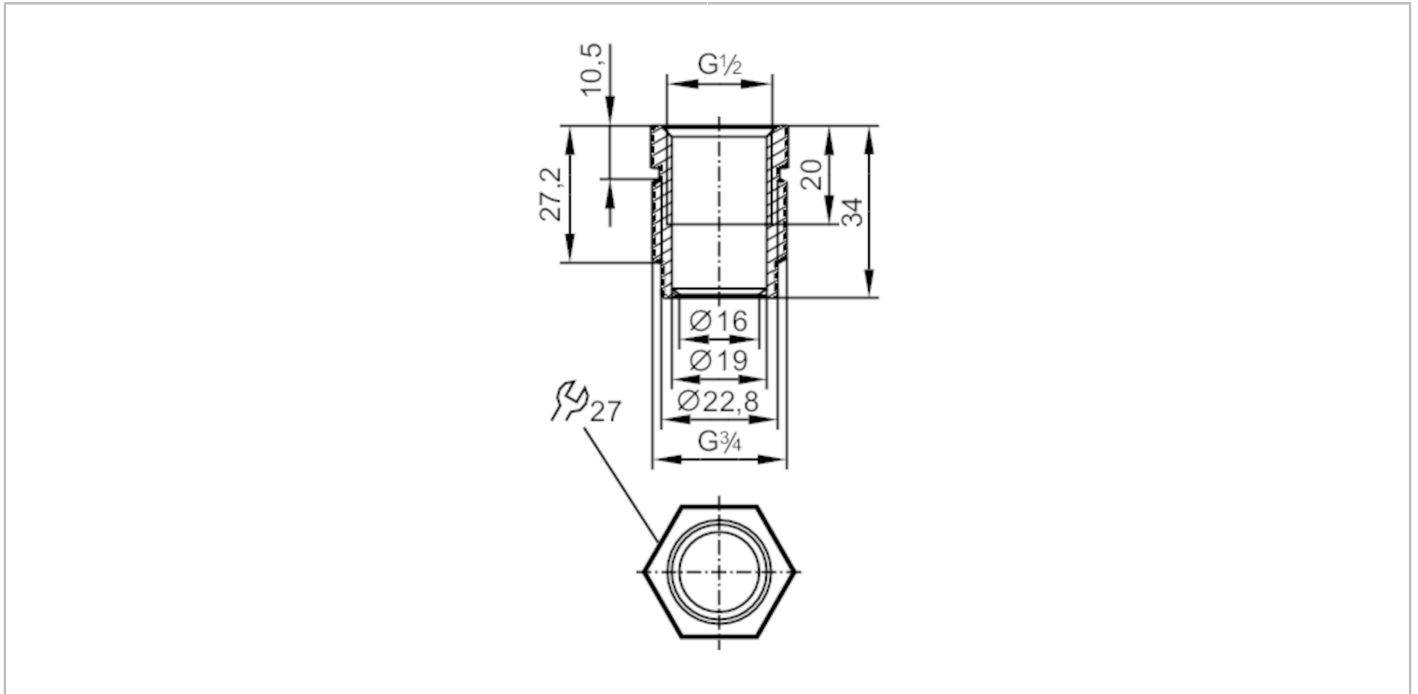


# E43302



## Screw-in adapter for process sensors

ADAPT G1/2-G3/4



EC 1935/2004 EHEDG Certified **FCM** 

### Mechanical data

Weight	[g]	110.5
Materials		stainless steel (1.4435 / 316L)
Sensor connection		G 1/2
Process connection		G 3/4
Surface characteristics Ra/Rz of the wetted parts		0.4 / 4

### Remarks

Pack quantity		1 pcs.
---------------	--	--------