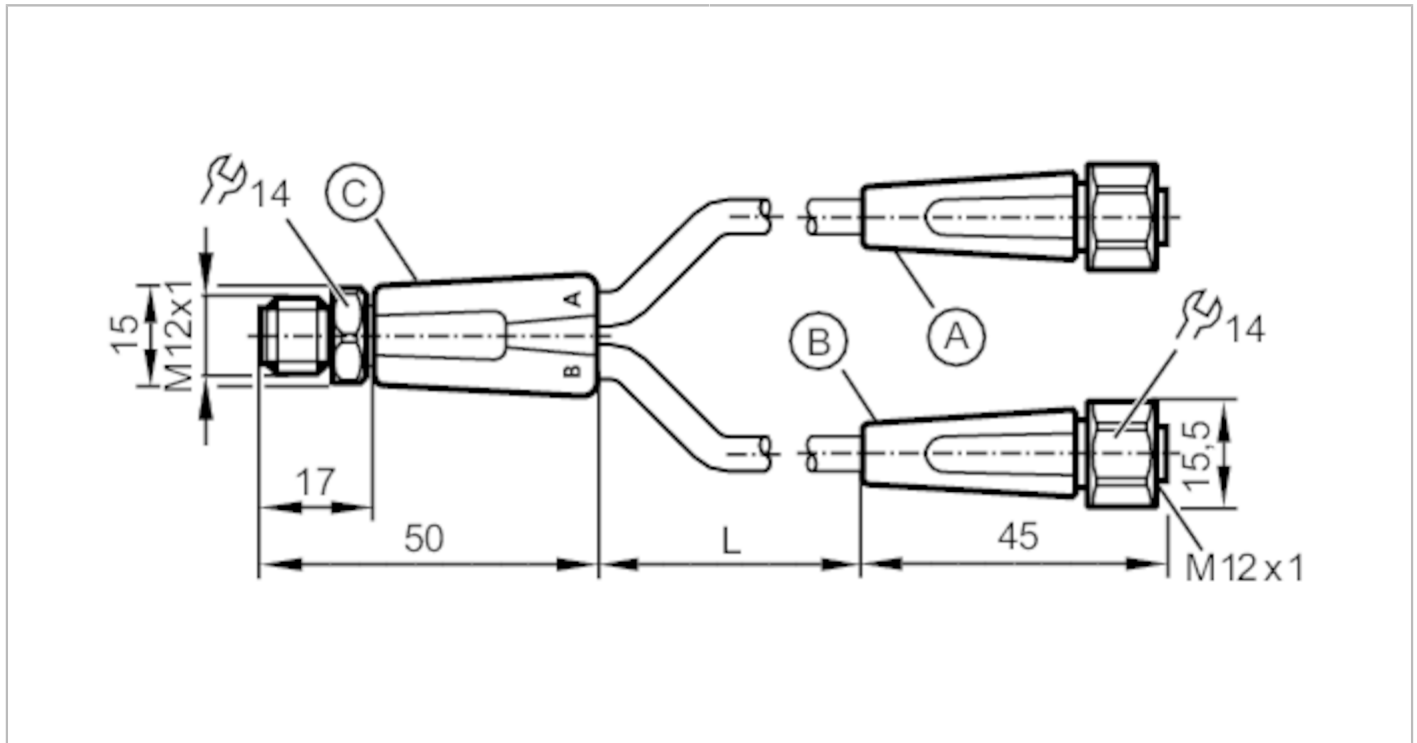


# EVF329



## Y connection cable

YDOGH040VAS0001P04STGH050VAS



Application	
Special feature	Free from silicone; Halogen-free; Gold-plated contacts; Drag chain suitability
Application	hygienic and wet areas in the food industry
Free from silicone	yes
Electrical data	
Operating voltage [V]	< 60 AC/DC
Protection class	II
Max. current load total [A]	4; ((cULus: 3A))
Operating conditions	
Ambient temperature [°C]	-25...100
Ambient temperature (moving) [°C]	5...100
Protection	IP 65; IP 67; IP 68; IP 69K

# EVF329



## Y connection cable

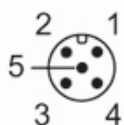
YDOGH040VAS0001P04STGH050VAS

Mechanical data		
Weight [g]	100.3	
Materials	Connecting cable with plug: PP grey; Connecting cable with socket: PP grey; Sealing: EPDM	
Material nut	stainless steel (1.4404 / 316L) / stainless steel (1.4404 / 316L)	
Number of ports splitter box	2	
Drag chain suitability	yes	
Drag chain suitability	bending radius for flexible use	min. 10 x cable diameter
	travel speed	max. 3.3 m/s for a horizontal travel length of 5 m and max. acceleration of 5 m/s <sup>2</sup>
	bending cycles	> 1 Mio.
	torsional strain	± 180 °/m

Remarks	
Pack quantity	1 pcs.

Electrical connection	
Cable: 1 m, MPPE, Halogen-free, grey, Ø 4.9 mm; 4 x 0.34 mm <sup>2</sup> (42 x Ø 0.1 mm )	

Electrical connection - plug	
Connector: 2 x M12; Locking: stainless steel (1.4404 / 316L); Contacts: gold-plated; Tightening torque: 0.6...1.2 Nm	

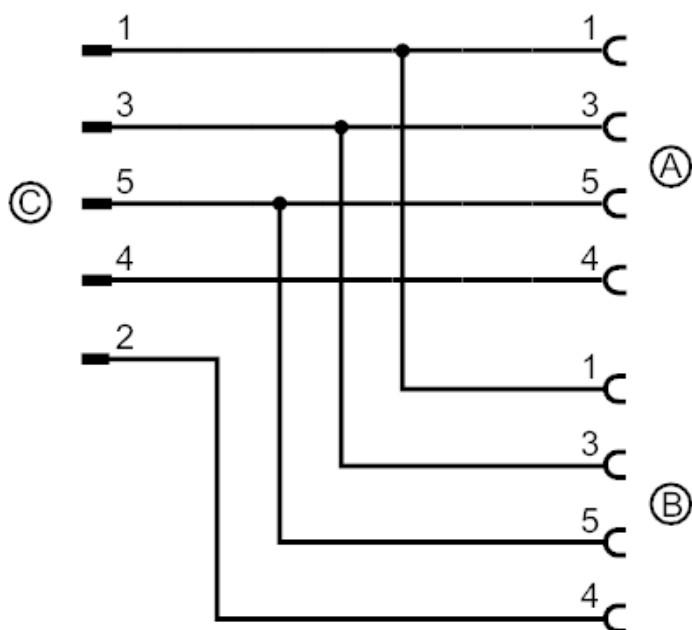




## Y connection cable

YDOGH040VAS0001P04STGH050VAS

### Connection



### Electrical connection - socket

Connector: 2 x M12; Locking: stainless steel (1.4404 / 316L); Contacts: gold-plated; Tightening torque: 0.6...1.5 Nm

