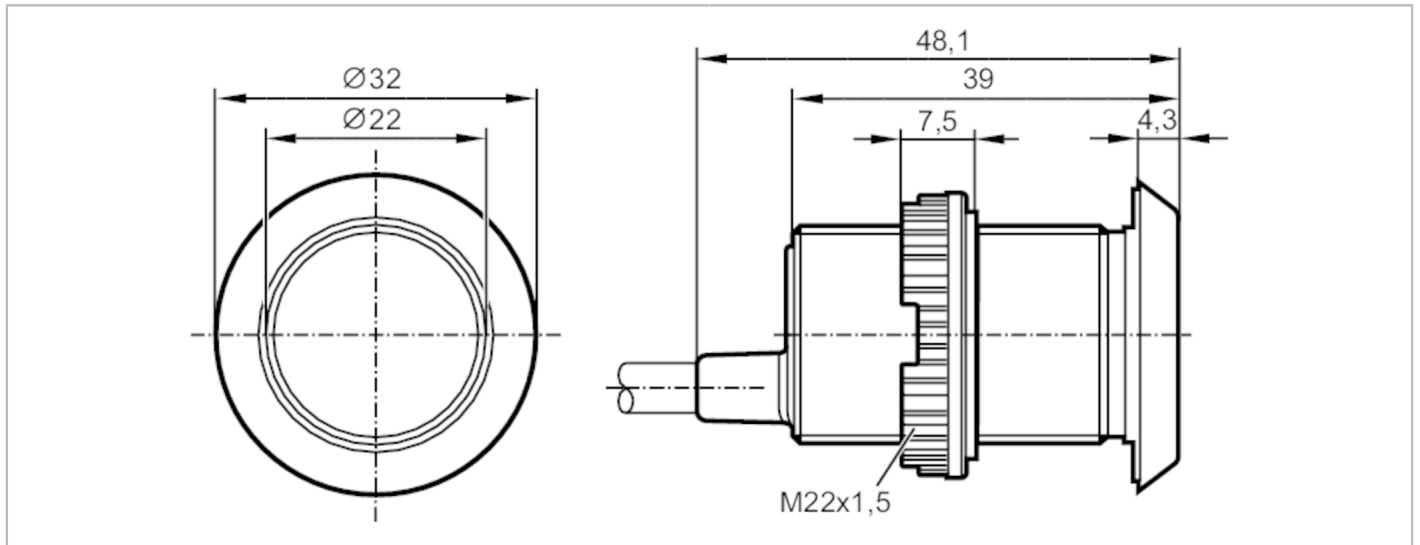


# KT6300



## Capacitive illuminated pushbutton

KTMEF-EMMFFKG/2m/IO



### Product characteristics

Electrical design	PNP/NPN
Output function	normally open / normally closed
Communication interface	IO-Link

### Application

Operating principle	dynamic; (static; bistable parameterisable)
---------------------	---

### Electrical data

Operating voltage [V]	10...30 DC
Current consumption [mA]	30
Protection class	III
Reverse polarity protection	yes

### Outputs

Electrical design	PNP/NPN
Output function	normally open / normally closed
Permanent current rating of switching output DC [mA]	150
Short-circuit protection	yes
Overload protection	yes

### Response times

Response time [ms]	35
--------------------	----

### Software / programming

Parameter setting options	normally open / normally closed; PnP/nPn; statisch / dynamisch / bistabil / Ein-Ausschaltverzögerung; brightness; Aktivierungs- Operations- Inputfarbe; Sensitivität
---------------------------	--

# KT6300



## Capacitive illuminated pushbutton

KTMEF-EMMFFKG/2m/IO

Interfaces		
Communication interface	IO-Link	
Transmission type	COM2 (38,4 kBaud)	
IO-Link revision	1.1	
SDCI standard	IEC 61131-9	
IO-Link device ID	1002 d / 00 03 EA h	
Profiles	Smart Sensor: Type 0 Generic Profiled Sensor; Identification and Diagnosis; Fixed Switching Signal Channel	
SIO mode	yes	
Required master port type	A	
Process data analogue	1	
Process data binary	1	
Min. process cycle time [ms]	3.5	
Operating conditions		
Ambient temperature [°C]	-20...80	
Protection	IP 65; IP 67; IP 69K; (on the front)	
Tests / approvals		
EMC	IEC 61000-4	
MTTF [years]	318	
Mechanical data		
Weight [g]	119.5	
Materials	housing: stainless steel (1.4305 / 303); active face: PA Grilamid TR 90UV	
Displays / operating elements		
Display	1 x LED, blue / green / red / magenta / yellow / white / orange	
	preset	
	switching status	green
	operation	-
function	red	
Accessories		
Accessories (supplied)	lock nuts: 1 Gasket: 1	
Accessories (optional)	symbol disc	
Remarks		
Pack quantity	1 pcs.	

# KT6300



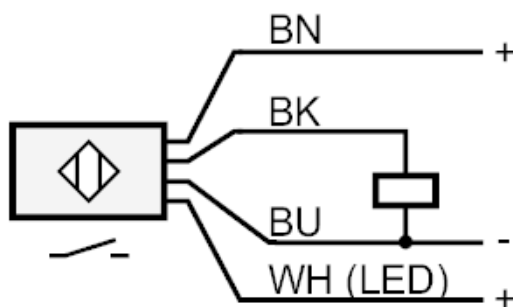
## Capacitive illuminated pushbutton

KTMEF-EMMFFKG/2m/IO

### Electrical connection

Cable: 2 m, PUR

### Connection



BK = IO-Link

Core colours :

BK = black

BN = brown

BU = blue

WH = white

function display can be activated via WH