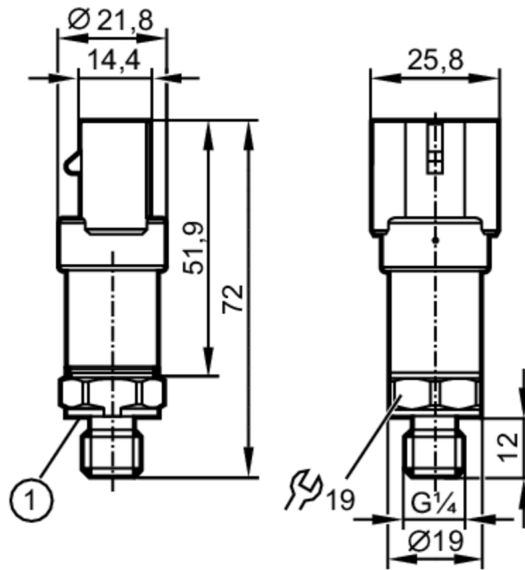


PT5603



Pressure transmitter

PT-025-SEG14-A-ZVG/AM



1 Sealing



Product characteristics

| | | | |
|--------------------|---|-------------|-------------|
| Output signal | analogue signal | | |
| Measuring range | 0...25 bar | 0...360 psi | 0...2.5 MPa |
| Process connection | threaded connection G 1/4 external thread (DIN EN ISO 1179-2) | | |

Application

| | | | |
|--------------------------|-------------------------|----------|---------|
| Application | for mobile applications | | |
| Media | liquids and gases | | |
| Medium temperature [°C] | -40...125 | | |
| Pressure rating | 65 bar | 940 psi | 6.5 MPa |
| Note on pressure rating | static | | |
| Min. bursting pressure | 600 bar | 8700 psi | 60 MPa |
| Vacuum resistance [mbar] | -1000 | | |
| Type of pressure | relative pressure | | |

Electrical data

| | | | |
|---------------------------------|-----------------|--|--|
| Operating voltage [V] | 8...32 DC | | |
| Min. insulation resistance [MΩ] | 100; (500 V DC) | | |
| Protection class | III | | |
| Reverse polarity protection | yes | | |
| Power-on delay time [s] | 0.1 | | |

Inputs / outputs

| | |
|------------------------------|-------------------------------|
| Number of inputs and outputs | Number of analogue outputs: 1 |
|------------------------------|-------------------------------|

PT5603



Pressure transmitter

PT-025-SEG14-A-ZVG/AM

| Outputs | | | |
|---|--|---------------------|-------------|
| Total number of outputs | 1 | | |
| Output signal | analogue signal | | |
| Number of analogue outputs | 1 | | |
| Analogue current output [mA] | 4...20 | | |
| Max. load [Ω] | (U _b - 8 V) / 20 mA | | |
| Short-circuit proof | yes | | |
| Overload protection | yes | | |
| Measuring/setting range | | | |
| Measuring range | 0...25 bar | 0...360 psi | 0...2.5 MPa |
| Accuracy / deviations | | | |
| Repeatability [% of the span] | < $\pm 0,05$; (with temperature fluctuations < 10 K) | | |
| Characteristics deviation [% of the span] | < $\pm 0,8$; (incl. drift when overtightened, zero point and span error, non-linearity, hysteresis) | | |
| Linearity deviation [% of the span] | < $\pm 0,25$ (BFSL) / < $\pm 0,5$ (LS) | | |
| Hysteresis deviation [% of the span] | < $\pm 0,2$ | | |
| Long-term stability [% of the span] | < $\pm 0,1$; (per 6 months) | | |
| Temperature coefficient zero point [% of the span / 10 K] | < $\pm 0,1$ (0...80 °C); < $\pm 0,2$ (-40...0 °C / 80...125 °C) | | |
| Temperature coefficient span [% of the span / 10 K] | < $\pm 0,1$ (0...80 °C); < $\pm 0,3$ (-40...0 °C); < $\pm 0,2$ (80...125 °C) | | |
| Response times | | | |
| Step response time analogue output [ms] | 2 | | |
| Operating conditions | | | |
| Ambient temperature [°C] | -40...100 | | |
| Storage temperature [°C] | -40...100 | | |
| Protection | IP 67; IP 69K | | |
| Tests / approvals | | | |
| EMC | compliant with UN ECE R10, rev. 5 | (E1 compliant) | |
| | ISO 11452-2 | 100 V/m | |
| | DIN EN 61326-1 | | |
| Shock resistance | DIN EN 60068-2-27 | 500 g (1 ms) | |
| Vibration resistance | DIN EN 60068-2-6 | 20 g (10...2000 Hz) | |
| MTTF [years] | 700 | | |
| Pressure Equipment Directive | Sound engineering practice; can be used for group 2 fluids; group 1 fluids on request | | |

PT5603



Pressure transmitter

PT-025-SEG14-A-ZVG/AM

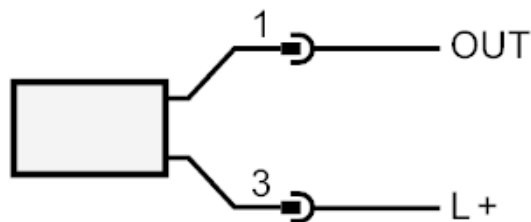
| Mechanical data | |
|-------------------------------|--|
| Weight [g] | 63 |
| Materials | 1.4542 (17-4 PH / 630); stainless steel (1.4404 / 316L); PPS |
| Materials (wetted parts) | 1.4542 (17-4 PH / 630) |
| Min. pressure cycles | 60 million; (at 1.2 times nominal pressure) |
| Tightening torque [Nm] | 25...35; (recommended tightening torque; depends on lubrication, seal and pressure rating) |
| Process connection | threaded connection G 1/4 external thread (DIN EN ISO 1179-2) |
| Process connection sealing | HNBR (to DIN 3869) |
| Restrictor element integrated | yes |
| Remarks | |
| Remarks | BFSL = Best Fit Straight Line LS = limit value setting |
| Pack quantity | 1 pcs. |

Electrical connection

Connector: 1 x AMP-Superseal



Connection



OUT analogue output

PT5603



Pressure transmitter

PT-025-SEG14-A-ZVG/AM

Diagrams and graphs

characteristic load curve of current output



1: Max. load

2: min. load