

### Model Number

**UVW90-K30**

Ultrasonic -deflector

### Features

- Clamp mounting
- 90° sound deflection for difficult installation circumstances
- Universal Orientation

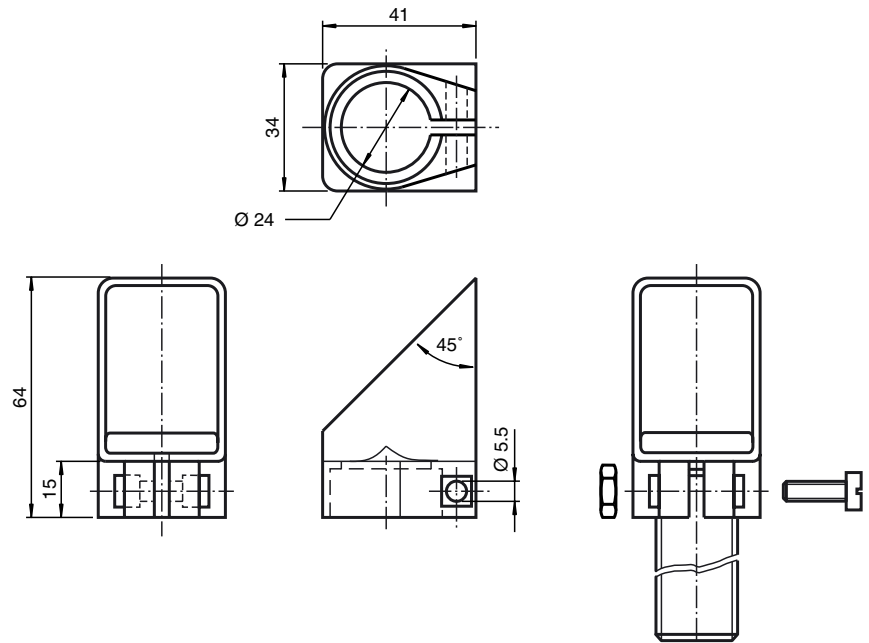
### Function

Sound deflector for cylindrical ultrasonic sensors.

- Clamp mounting
- 90° sound deflection for difficult installation circumstances
- Universal installation position

On the underside of the slope the sound deflector has a hole over the complete width. Falling particle of dust can not congregate in the focusing attachment. The function is also guaranteed in dusty environment.

### Dimensions



### Technical data

#### Mechanical specifications

Material	PMMA
Mass	40 g