

Model Number

OMH-LS610-32

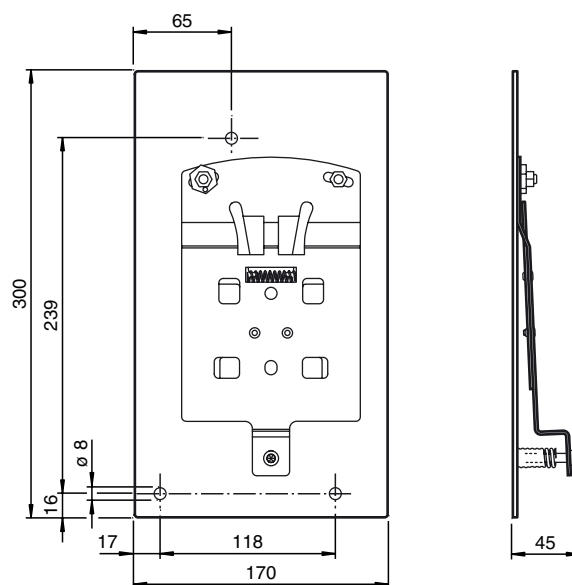
Mounting bracket for optical data coupler and distance measurement devices

Features

- Mounting bracket for moving installations
- Fixing with latching spring or latch fastener for easy installation

Quick clamp and adjustment system

Dimensions



Technical data

Mechanical specifications

Material	Stainless steel
Mass	1680 g

Suitable series

Series	LS610 LS611 VDM100
--------	--------------------------