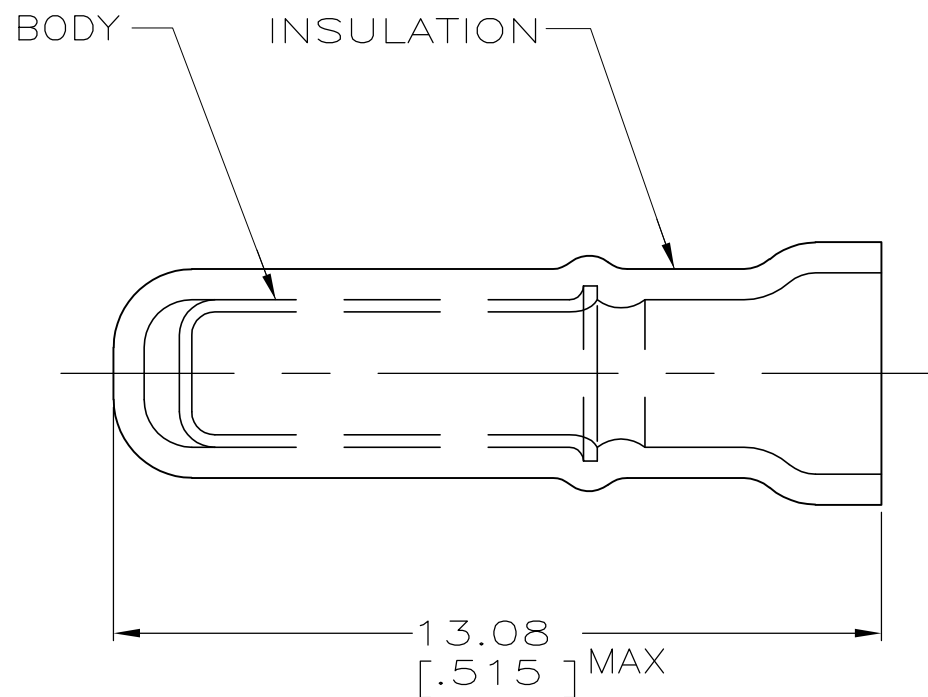



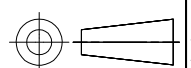
THIS DRAWING IS UNPUBLISHED. RELEASED FOR PUBLICATION  
 © COPYRIGHT - By - ALL RIGHTS RESERVED.

LOC	DIST	REVISIONS					
		P	LTR	DESCRIPTION	DATE	DWN	APVD
G	14		N1	REVISED PER ECO-11-004917	11MAR11	RK	HMR



1. USE FOR AN UNSTRIPPED (SINGLE) WIRE END ONLY
2. WIRE INSUL DIA, 1.22-1.91 [ .048-.075 ]

QTY	PACKAGE TYPE	PART NO
100	LOOSE PIECE, BOX	8-324484-1
1000	LOOSE PIECE	324484

AMP INCORPORATED CUSTOMER SERVICE SYSTEM		MAX RECOMMENDED OPERATING TEMPERATURE: 105° C [221° F]	THIS DRAWING IS A CONTROLLED DOCUMENT.		DWN L OLMEDA 14FEB95	 TE Connectivity SPARE WIRE CAP, TRANSPARENT				
FOR ADDITIONAL PRODUCT INFORMATION OR COPIES OF DRAWINGS AND TECHNICAL DOCUMENTS	PRODUCT INFORMATION CENTER 1-800-522-6752		VOLTAGE RATING: -	DIMENSIONS: mm [INCHES]	TOLERANCES UNLESS OTHERWISE SPECIFIED:					CHK M ELLIS 14FEB95
FOR APPLICATION TOOLING INFORMATION	TOOLING ASSISTANCE CENTER 1-800-722-1111	CIRCULAR MIL AREA: -		0 PLC ± - 1 PLC ± - 2 PLC ± 0.20 [.008] 3 PLC ± - 4 PLC ± - ANGLES ± -	APVD T MICHELUTTI 14FEB95	NAME			RESTRICTED TO	
FOR ORDER ENTRY	1-800-526-5142	MATERIAL BODY, CU PER ASTM B152 INSUL, NYLON, COLOR, TRANSPARENT		FINISH BODY, TIN PLATE PER MIL-T-10727	PRODUCT SPEC -	APPLICATION SPEC -	SIZE A3	CAGE CODE 00779		DRAWING NO C-324484
CUSTOMER DRAWING					WEIGHT -	SCALE 8:1			SHEET 1 OF 1	REV N1