



Diamond® Bonding and Grounding Hardware

Bonding Clamps



Bonding Connector for Meter Pan (CATV Applications)



- Meter pan connector designed to provide a bonding connection between the metallic frame of a meter pan and a copper ground wire.
- Its unique design allows a fixed and positive mechanical contact without interfering with the opening of the meter pan front cover.
- Tighten screws to 20 in. lbs. torque.

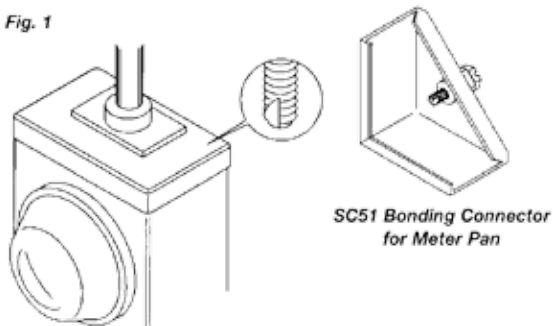


Part Number	Description	Inner Pack	Outer Pack
SC51-1	For #10/12/14 AWG Copper Ground Wire. Made of G90 Galvanize Steel + Trivalent Chromate	--	100

Installation:

1. The tip of the stainless steel mounting screw is shaped to remove the paint at the point of contact, thus ensuring positive metal-to-metal contact with the top of the meter panel. (Always ensure that the bonding surface is cleaned of excess paint or rust before mounting the SC51-1 connector.) For heavily corrosive or marine environments, use of "RTV" silicone sealer is recommended at the contact point, between the screw tip and the top of the meter pan.
2. Back the bolt and nut from the connector enough to allow it to mount on one of the corner folds of the metal meter pan back corners.
3. Install the connector with the bottom edges gripping on the bottom fold of the fixed top cover of the metal meter pan. **Under no circumstances is the bonding connector to be mounted on the front cover or any movable part of the metal meter pan.** Tighten the bolt securely by applying sufficient torque (20 inch pound) to ensure a firm and positive connection on the metal meter pan.
4. Remove one inch of insulation from copper ground wire, use caution to avoid scoring or damaging ground wire. Insert grounding wire between washer and grounding nut. Wrap ground wire clockwise between washer and ground nut. Insure that slot in grounding washer is aligned with ground wire. Tighten grounding nut with CNW6 tool to secure ground wire. Do not over tighten. Double check that the grounding bolt is still firmly tight on the metal meter pan enclosure. If not, tighten it one quarter turn.

Fig. 1



SC51 Bonding Connector for Meter Pan

Fig. 2

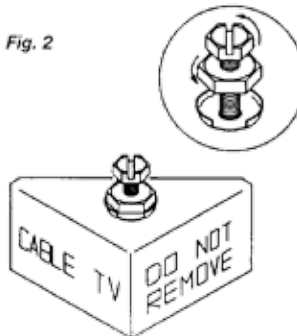


Fig. 3

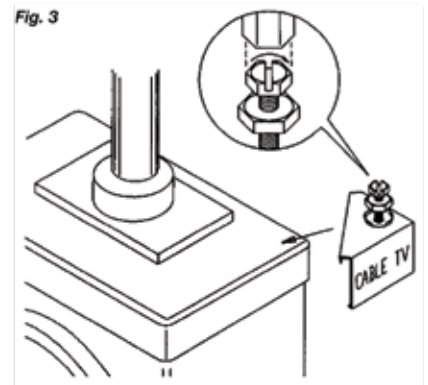
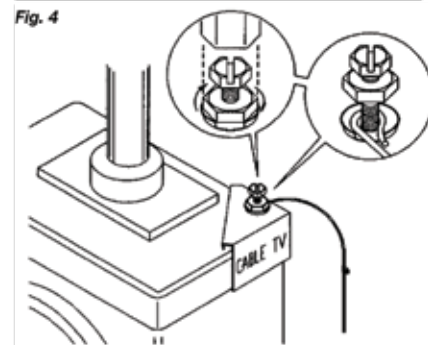


Fig. 4



Recommended for usage when no other approved grounding electrode is accessible.

Diamond® Bonding and Grounding Hardware

Bonding Clamps



Bonding Connector for Meter Pan (CATV Applications)



- Meter pan connector designed to provide a bonding connection between the metallic frame of a meter pan and a copper ground wire.
- Its unique design allows a fixed and positive mechanical contact without interfering with the opening of the meter pan front cover.
- Tighten screws to 20 in. lbs. torque.



Part Number	Description	Inner Pack	Outer Pack
SC51-CF	Meter Pan Connector. For #10/12/14AWG Copper Ground Wire. Made of Stainless Steel.	--	100
SC51CF-81	Meter Pan Ground Block for Coaxial Cable with F81 connector. For #10/12/14AWG Copper Ground Wire. Made of Stainless Steel	--	100
SC51CFK81	Meter Pan Ground Block for Coaxial Cable with F81 connector. For #10/12/14AWG Copper Ground Wire. Made of Stainless Steel	--	100

Bonding Connector for Meter Pan (Telephone Applications)



Part Number	Description	Inner Pack	Outer Pack
SC51-1T	Meter Pan Corner Bonding Connector for #14 to #10 AWG Copper Ground Wire. Connector made of G90 Galvanize Steel + Trivalent Chromate.	--	100
SC51-2	Meter Pan Corner Bonding Connector for #6AWG Copper Ground Wire. Made of G90 Galvanize Steel + Trivalent Chromate	--	100
SC51CF-85	Meter Pan Bonding Connector for #6AWG Copper Ground Wire. Made of Stainless Steel	--	100



Meter Box Ground Clamp



- Provides a convenient, quick installation of a reliable ground or bond for drops.
- 2 adjustable sizes: 6-1/2" to 10-1/2", 11-1/2" to 15-1/2".
- Stainless steel bolts, screw and washer.
- Mechanically galvanized ASTM B695.
- UL Listed.
- Will not restrict cover operation.
- Tighten screws to 20 in. lbs. torque.



Part Number	Description	Clamp Range	Inner Pack	Outer Pack
40-20000	Meter Box Ground Clamp (S), #12-16 AWG	6.5"-10.5"	--	50
40-20001	Meter Box Ground Clamp (L), #12-16 AWG	11.5"-15.5"	--	50
40-20002	Meter Box Ground Clamp (S), #14-6 AWG	6.5"-10.5"	1*	5
40-20003	Meter Box Ground Clamp (S), #14-6 AWG	11.5"-15.5"	1*	5
40-20004	Meter Box Ground Clamp (S), #14-6 AWG	15.5"-21.5"	1*	5
IBT1	Meter Box Ground Clamp (S), #14-6 AWG	6.5"-10.5"	1*	5
IBT2	Meter Box Ground Clamp (S), #14-6 AWG	15.5"-21.5"	1*	5

* Packages of 10 pieces each package.



Diamond® Bonding and Grounding Hardware

Ground Blocks



Grounding Blocks



Part Number	Description	Inner Pack	Outer Pack
GBS81K	Single Ground Block - Outdoor Precision F81 #14 AWG through #6 AWG Copper Ground Wire	--	500
SC12N-81	Single Ground Block with One Precision TBCF81 Connector - 3GHz #14 to #10 AWG Copper Grounding Wire. Made of G90 Galvanize Steel + Trivalent Chromate	--	150
SC12N81-1G	Single Ground Block with One Precision F81 Connector - 1GHz #14 to #10 AWG Copper Grounding Wire. Made of G90 Galvanize Steel + Trivalent Chromate	--	150
SC12KF81-1	Single Ground Block with One Precision KF81-1 Connector - 3GHz #14 to #10 AWG Copper Grounding Wire. Made of G90 Galvanize Steel + Trivalent Chromate	--	150
SC12-SS	Single Stainless Steel Ground Block with One Precision F81 Connector - 2GHz #14 to #10 AWG Copper Grounding Wire.	--	150
SC12DNS-81	Dual Ground Block with One Precision TBCF81 Connector - 3GHz #14 to #10 AWG Copper Grounding Wire. Made of G90 Galvanize Steel + Trivalent Chromate	--	100
SC12DNS81-25	Dual Ground Block with One Precision TBCF81 Connector - 3GHz. #14 to #10 AWG Copper Grounding Wire. Made of G90 Galvanize Steel + Trivalent Chromate	--	100
SC12DN-81	Dual Ground Block with Two Precision TBCF81 Connectors - 3GHz #14 to #10 AWG Copper Grounding Wire. Made of G90 Galvanize Steel + Trivalent Chromate	--	100
SC12D2-SS	Dual Stainless Steel Ground Block with Two Precision F81 Connectors - 2GHz #14 to #10 AWG Copper Grounding Wire.	--	100
SC12D-SS	Dual Stainless Steel Ground Block with One Precision F81 Connector. 2GHz. Made for #14 to #10AWG Copper Ground Wire	--	100

Grounding Bracket



- Grounding bracket permits upgrading number of drops by mounting 2, 3 or 4 way splitters simply by using the SC09 splitter ring nut for mounting.
- Made of G90 Galvanize Steel + Trivalent Chromate..



Part Number	Description	Inner Pack	Outer Pack
SC46DN	Accepts connector for #14 to #10 AWG Copper Grounding Wire	--	100

Splitter Ring Nut



- Splitter ring nut especially designed for converting the SC12DN grounding blocks to accept splitters.

Part Number	Description	Inner Pack	Outer Pack
SC09-1	Brass, Nickel Plated, .172" Height	250	5,000

Diamond® Bonding and Grounding Hardware

Grounding Clamps



Span Clamp



- Span clamp for steel messengered drop cable bonding applications.
- Unique locking design prevents rotation on steel strand.
- Mechanically galvanized ASTM B695.

Part Number	Description	Inner Pack	Outer Pack
SC03E-2G	For Two Steel Messenger Wires .051" to .072" Diameter Used on 1/4" (6.6m) Steel Strand	--	75

"I" Beam Grounding Clamp



- Grounding clamp used to bond a solid copper ground wire to steel structure.
- Mechanically galvanized ASTM B695.



Part Number	Description	Inner Pack	Outer Pack
SC07GG	I Beam Grounding Clamp for #14 to #10AWG Copper Ground Wire	--	125

"B" Ground Wire Clamp



- Used to secure #6 AWG to #12 AWG ground wire runs.
- Mechanically galvanized ASTM B695.
- 7/32" hole diameter.
- 3/8" wide x 9/16" long.

Part Number	Description	Ground Wire Range	Inner Pack	Outer Pack
23-80002	"B" Ground Wire Clamp	#12 (.081") to #6 (.162") AWG	500	5,000

Ground Connector



- Ground connector used to connect various size copper ground conductors with a firm mechanical contact.
- Made of pure copper with brass fastener.



Part Number	Description	Inner Pack	Outer Pack
SC42-1	Connects #4 or #6AWG to #10, #12 or #14AWG Copper Ground Wire	150	1,800



Diamond® Bonding and Grounding Hardware

Grounding Straps



Copper Ground Strap



- Ground strap used to provide a fixed and permanent connection between a copper water pipe to a copper ground wire.
- Made of pure copper (ASTM B152-110) and brass fasteners (ASTM B16-360 and B134-260).
- All longitudinal dimensions are based on disassembled pieces.



Part Number	Description	Inner Pack	Outer Pack
SC13B-1	6.5" Strap, Fits 1/2" to 1" Diameter Pipe to #10/12/14 AWG Copper Ground Wire	--	150
SC13B-2	9" Strap, Fits 1/2" to 2-1/4" Diameter Pipe to #10/12/14 AWG Copper Ground Wire	--	200
SC13B-3	12" Strap, Fits 1/2" to 3" Diameter Pipe to #10/12/14 AWG Copper Ground Wire	--	150

Galvanized Ground Strap



- Ground strap used to provide a fixed and permanent connection between a galvanized steel pipe and a copper ground wire.
- Made of G90 galvanized steel that meets Salt Test ASTM B117. Fasteners are made of brass, nickel plated (ASTM B16-360 and B134-260) to create a neutral for galvanized to copper connection.
- All longitudinal dimensions are based on disassembled pieces.



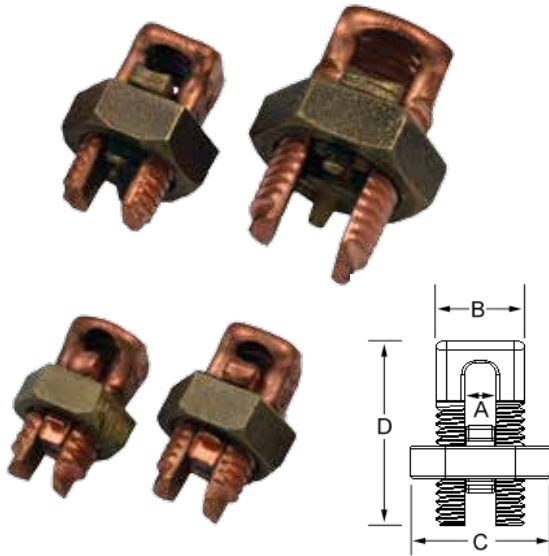
Part Number	Description	Inner Pack	Outer Pack
SC13BZ-1	6.5" Strap, Fits 1/2" to 1" Diameter Pipe to #10/12/14 AWG Copper Ground Wire	--	150
SC13BZ-2	9" Strap, Fits 1/2" to 2-1/4" Diameter Pipe to #10/12/14 AWG Copper Ground Wire	--	200
SC13BZ-3	12" Strap, Fits 1/2" to 3" Diameter Pipe to #10/12/14 AWG Copper Ground Wire	--	150
SC13BZ-4	23-3/4" strap. Fits 1/2" to 6" Diameter Pipe for #10/12/14 AWG Copper Ground Wire	--	100

Diamond® Bonding and Grounding Hardware

Mechanical - Split Bolt Connectors, Jumper Clamps



High Strength Split Bolt Connectors



- For copper to copper connections.
- High strength corrosion resistant copper alloy for use in bonding applications.
- Highly resistant to corrosion and seasonal cracking.
- Hex design nut of high strength corrosion-resistant bronze alloy.
- Pressure bar is copper.
- UL and CSA listed.



Part Number	Size	Dimensions (In)				Inner Pack	Outer Pack
		A	B	C	D		
DG2	#2	0.309	0.615	0.875	1.240	100	400
DG4	#4	0.209	0.453	0.688	0.984	100	800
DG6	#6	0.165	0.413	0.625	0.906	100	800
DG8	#8	0.146	0.413	0.562	0.854	100	800

Type K - Jumper Clamp



- For all combinations of aluminum, copper and steel conductors.
- Cast of high strength bronze alloy CDA836.
- Furnished with silicon bronze bolt and lockwasher. Lockwasher minimizes loosening of installed clamp.
- Parallel groove design; no need to remove bolt for installation.
- Only one size for all requirements from No. 8 solid copper to 1/0 ACSR or 2/0 copper.



Part Number	Description	Inner Pack	Outer Pack
K1DS	Bonds 1/4" and 5/16" Strand to #6 AWG Copper Ground Wire, Tin Plated Clamp (except for 1 wire groove) with Galvanized Steel Bolt	100	600
K2DS	Bonds 1/4" and 5/16" Strand to #6 AWG Copper Ground Wire, Tin Plated Clamp with Galvanized Steel Bolt	100	600
K3DS	Bonds 1/4" and 5/16" Strand to #6 AWG Copper Ground Wire, Non-Plated Clamp with Galvanized Steel Bolt	100	600
KULDS	Bonds 1/4" and 5/16" Strand to #6 AWG Copper Ground Wire, Tin Plated Clamp with Bronze Bolt	100	600



Diamond® Bonding and Grounding Hardware

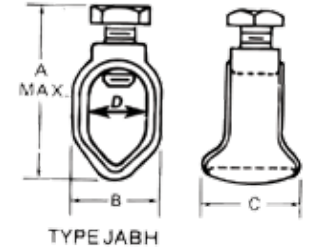
Mechanical - Ground Rod Clamps



Type JAB Ground Rod Clamps



- Cast of high strength corrosion resistant copper alloy CDA955.
- Hex head.
- Long bearing surface of clamp on ground wire secures ground connection.
- U.L. Listed for direct burial.

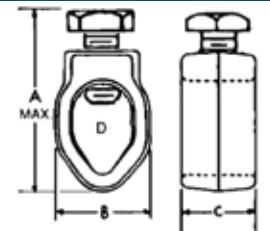


Part Number	Nominal Rod Diameter		Wire Range				Dimensions (IN)						Package Quantity
	IN	MM	Max	Min	Max (MM ²)	Min (MM ²)	A (Max) Socket Screw	A (Max) Hex Bolt	Screw Thread Size	B	C	D	
JAB12H-DS	1/2	12.7	2 Str.	10 Sol.	33.6	5.2	1-19/32	2-3/32	7/16"-14UNC	15/16"	63/64"	11/16"	100
JAB34H-DS	3/4	19.0	1/0 Str.	8 Sol.	53.4	8.3	2	2-11/32	7/16"-14UNC	11/16"	1"	51/64"	50
JAB58H-DS	5/8	15.8	1/0 Str.	8 Sol.	53.4	8.3	1-27/32	2-13/64	7/16"-14UNC	51/64"	7/8"	19/32"	50

Type G Ground Rod Clamps



- A dependable ground connection offered at a substantial savings.
- Cast of high strength corrosion-resistant copper alloy CDA955.
- Hex head bolts.
- Simplified compact design will make a lasting, trouble-free connection.
- U.L. Listed for direct burial.



Part Number	Nominal Rod Diameter		Wire Range				Dimensions (IN)						Package Quantity
	IN	MM	Max	Min	Max (MM ²)	Min (MM ²)	A (Max) Bolt	Screw Thread Size	B	C	D	E	
G3-DS	3/8	9.5	4 Str.	10 Sol.	21.6	5.2	--	5/16"-18UNC	11/16"	1/2"	27/64"	3/8"	100
G4-DS	1/2	12.7	2 Str.	10 Sol.	33.6	5.2	--	3/8"-16UNC	49/64"	21/32"	33/64"	1/2"	100
G5-DS	5/8	15.8	2 Str.	10 Sol.	33.6	5.2	--	3/8"-16UNC	29/32"	19/32"	21/32"	1/2"	50

Diamond® Bonding and Grounding Hardware

Mechanical - Grounding Connectors and Clamps



Die Cast Zinc Water Pipe Clamp



- Budget price clamps.
- Made of die cast zinc alloy with zinc plated screws.



Part Number	Water Pipe Size	Conductor Range		Package Quantity
		Maximum	Minimum	
BJ1DS	1/2"-1"	#2 Stranded	#10 Solid	250

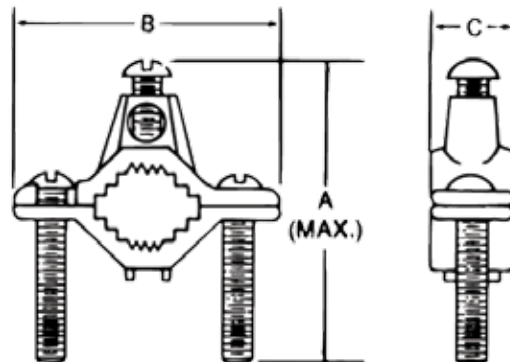
Cast Bronze Water Pipe Clamp



- For connecting grounding conductor to water pipe or copper tube.
- Cast of high strength, highly conductive copper alloy.
- Zinc plated crews plated for corrosion resistance.
- UL listed.



Part Number	Water Pipe Size	Conductor Range		Dimensions (IN)			Package Quantity
		Maximum	Minimum	A	B	C	
JDS	1/2"-1"	#2 Stranded	#10 Solid	2-3/4	2-11/32	23/32	100





Diamond® Bonding and Grounding Hardware

Mechanical - Grounding Connectors and Clamps



Trailer Ground Clamp



- 7/16" tin plated hex head bolt installs with terminal wrench or crescent wrench. Square head bolt allows clamp to be installed with pliers.
- Ground wire hole access from four directions minimizes having to bend ground wire.
- Designed so ground wire may be installed on clamp prior to mounting the clamp on metal frame, reducing installation time.
- Beam and ground wire connection can be separately tightened without disconnect integrity of ground circuit.
- High strength copper alloy CDA956 (91% nominal) providing greater conductivity, durability and excellent corrosion resistant characteristics without reliance on plating.
- High strength anchoring bolt penetrates paint.
- Bolts are electro-galvanized. Blade-type ground wire screw is tin-plated.



Part Number	Bolt Type	Unit Quantity	Standard Package
TGCDS	Square Head - 15/16" - 18UNC Bolt	25	100
TGCHDS	Slotted Screw Head - 5/16" - 24UNF	25	25